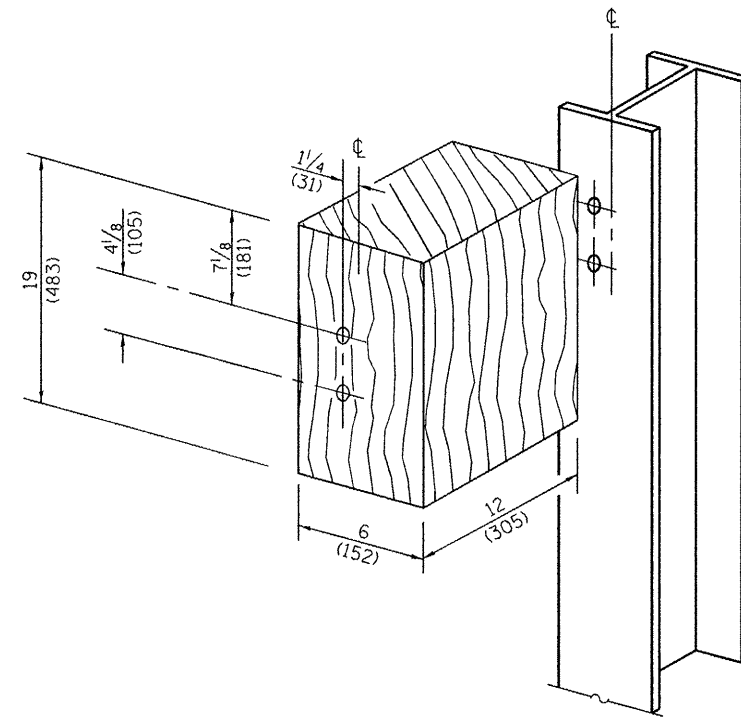
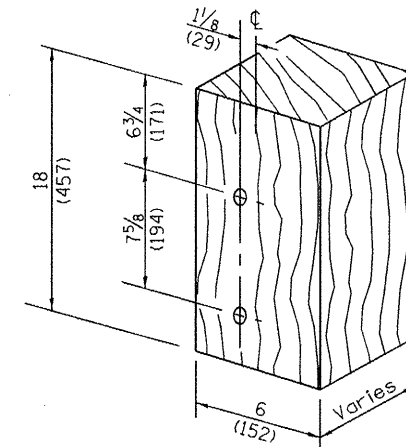


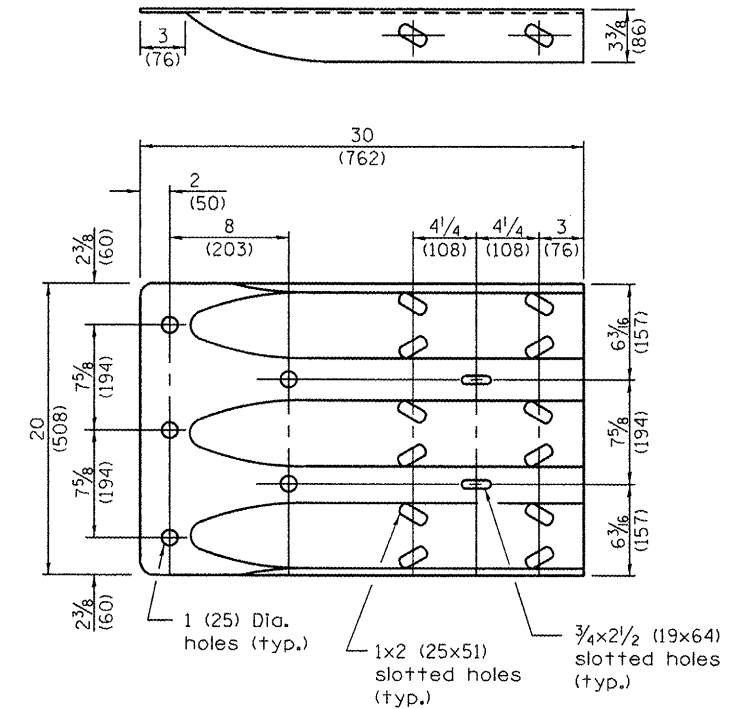
POSTS 1-11 & 16-25 WOOD BLOCKOUT DETAIL



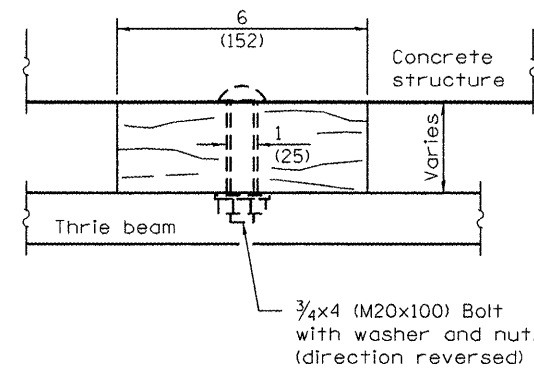
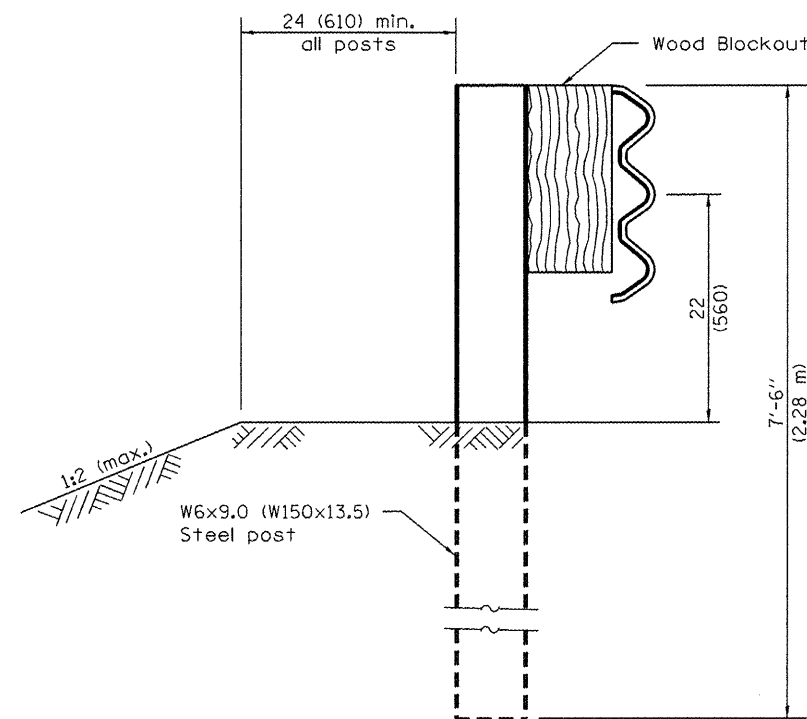
POST 12-15 WOOD BLOCKOUT DETAIL



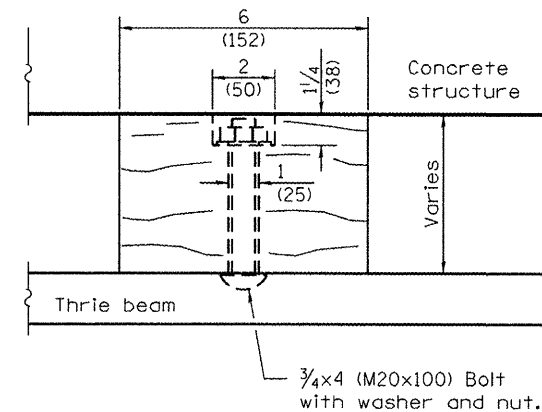
**MODIFIED THICKNESS DETAIL
WOOD BLOCKOUTS A, B, C, & D**



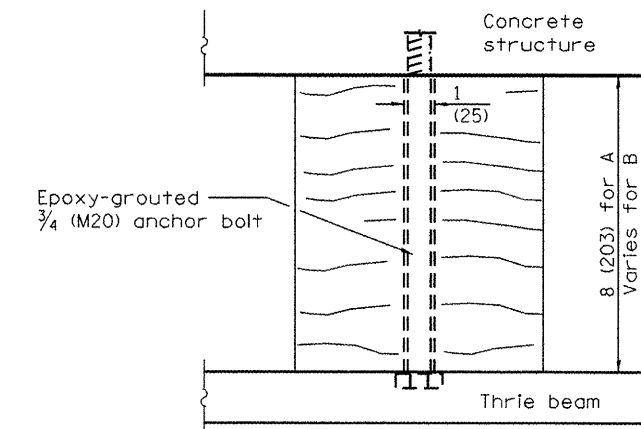
THRIE BEAM END SHOE DETAIL



WOOD BLOCKOUT D



WOOD BLOCKOUT C



WOOD BLOCKOUT A & B

FILE NAME =	USER NAME = fergusonse	DESIGNED -	REVISED -
ct:\pwork\puidot\fergusonse\0294370\066899-shc-detail.dgn		DRAWN -	REVISED -
		CHECKED -	REVISED -
		DATE -	REVISED -

**STATE OF ILLINOIS
DEPARTMENT OF TRANSPORTATION**

GUARDRAIL TERMINAL SECTION TYPE 6 SPECIAL

SCALE: SHEET NO. OF SHEETS STA. TO STA.

F.A. RTE.	SECTION	COUNTY	TOTAL SHEETS	SHEET NO.
39	DS IMPACT ATTENUATOR 2012-2	LASALLE	94	9
CONTRACT NO. 66899			ILLINOIS FED. AID PROJECT	