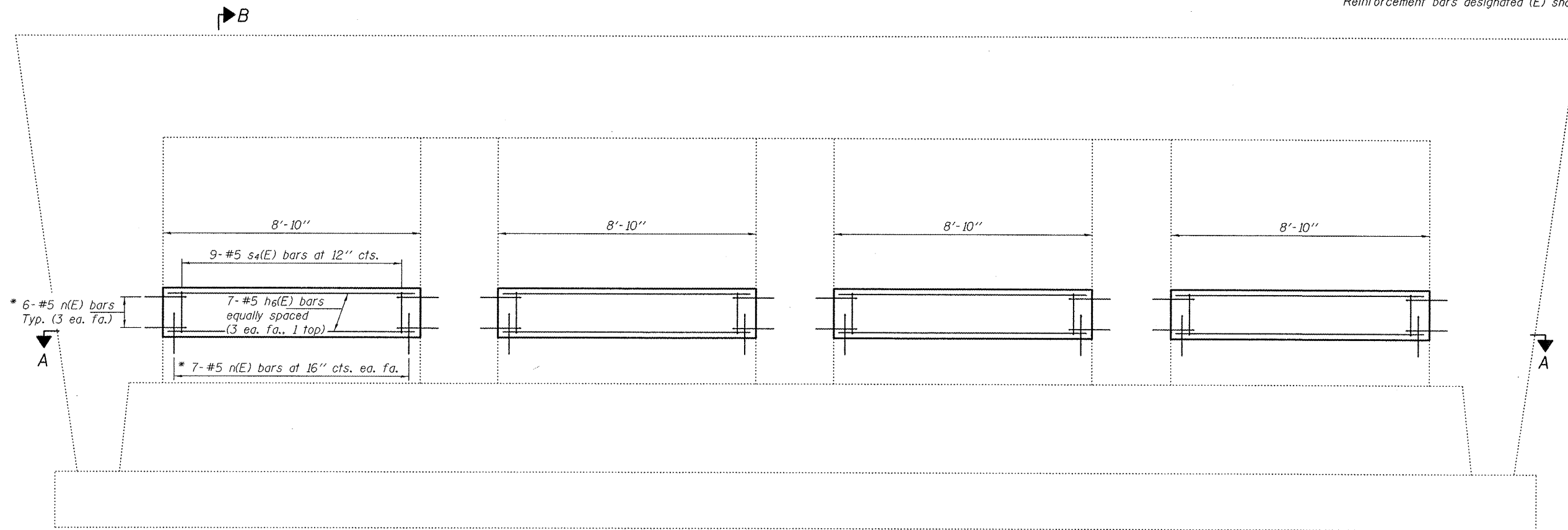


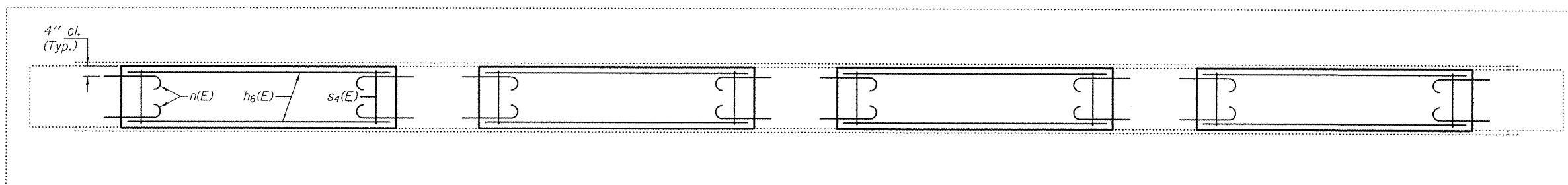
NOTES

The cost of epoxy grouting threaded rods shall be included with Reinforcement Bars, Epoxy Coated.

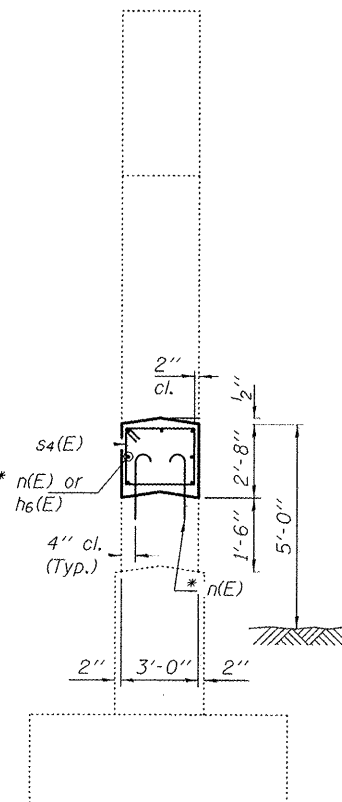
Plan dimensions and details relative to existing plans are subject to nominal construction variations. The Contractor shall field verify existing dimensions and details affecting new construction and make necessary approved adjustments prior to construction or ordering of materials. Such variations shall not be cause for additional compensation for a change in scope of the work, however, the Contractor will be paid for the quantity actually furnished at the unit price bid for the work. Reinforcement bars designated (E) shall be epoxy coated.



ELEVATION

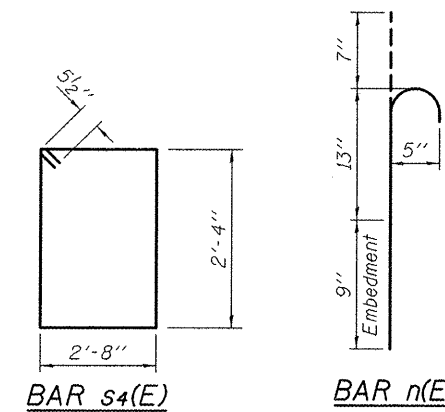


SECTION A-A



SECTION B-B

* Epoxy grout n(E) bars in 9" min. holes according to Article 584 of the Standard Specifications.



BILL OF MATERIAL

Bar	No.	Size	Length	Shape
h ₆ (E)	28	#5	8'-6"	—
n(E)	104	#5	2'-5"	⊔
s ₄ (E)	36	#5	10'-11"	□
Concrete Structures			Cu. Yd.	10.5
Reinforcement Bars, Epoxy Coated			Pound	920



DESIGNED DAB	EXAMINED <i>John F. [Signature]</i>	DATE - MAY 1, 2012
CHECKED VP	PASSED <i>John F. [Signature]</i>	REVISED
DRAWN balva	ACTING ENGINEER OF BRIDGES AND STRUCTURES	REVISED
CHECKED DAB VP		

STATE OF ILLINOIS
DEPARTMENT OF TRANSPORTATION

PIER CRASHWALL EXTENSION
SN 053-0119

SHEET NO. 1 OF 19 SHEETS

F.A.I. RTE. 55	SECTION D3 IMPACT ATTENUATOR 2012-3	COUNTY LIVINGSTON	TOTAL SHEETS 96	SHEET NO. 10
CONTRACT NO. 66C01			ILLINOIS FED. AID PROJECT	