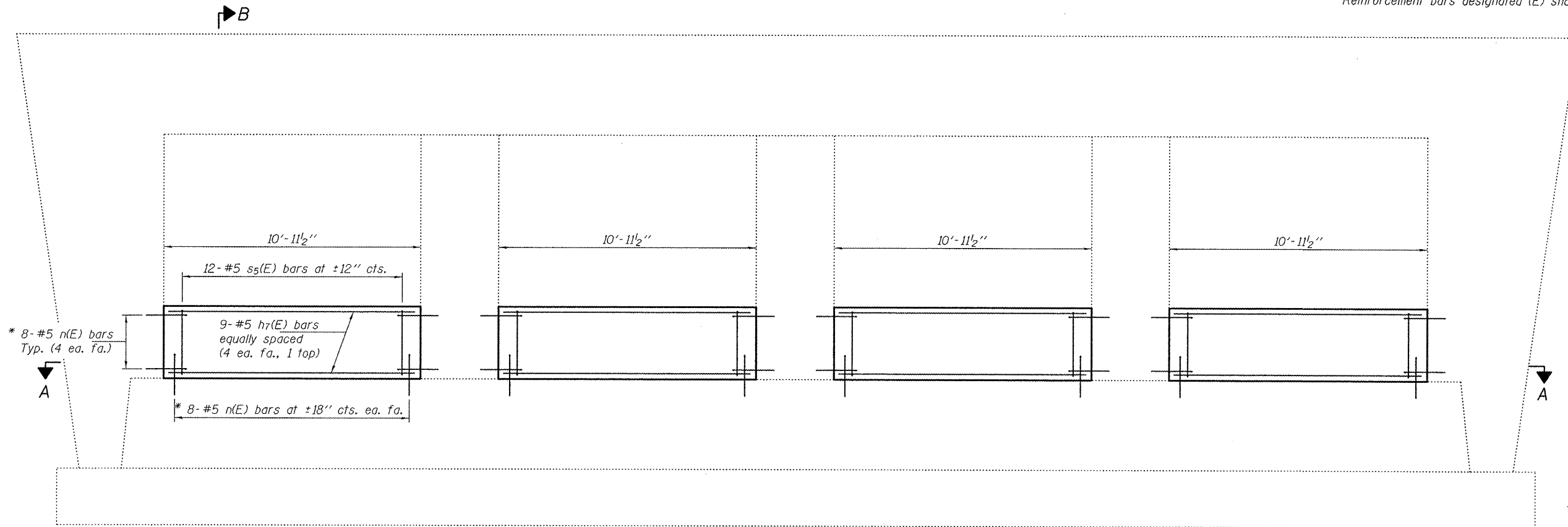


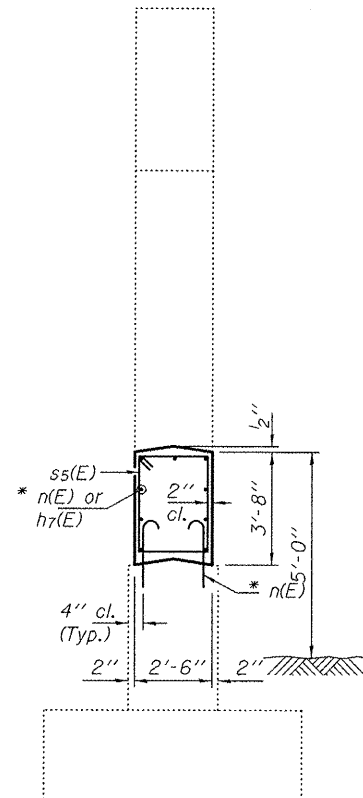
NOTES

The cost of epoxy grouting threaded rods shall be included with Reinforcement Bars, Epoxy Coated.

Plan dimensions and details relative to existing plans are subject to nominal construction variations. The Contractor shall field verify existing dimensions and details affecting new construction and make necessary approved adjustments prior to construction or ordering of materials. Such variations shall not be cause for additional compensation for a change in scope of the work, however, the Contractor will be paid for the quantity actually furnished at the unit price bid for the work. Reinforcement bars designated (E) shall be epoxy coated.

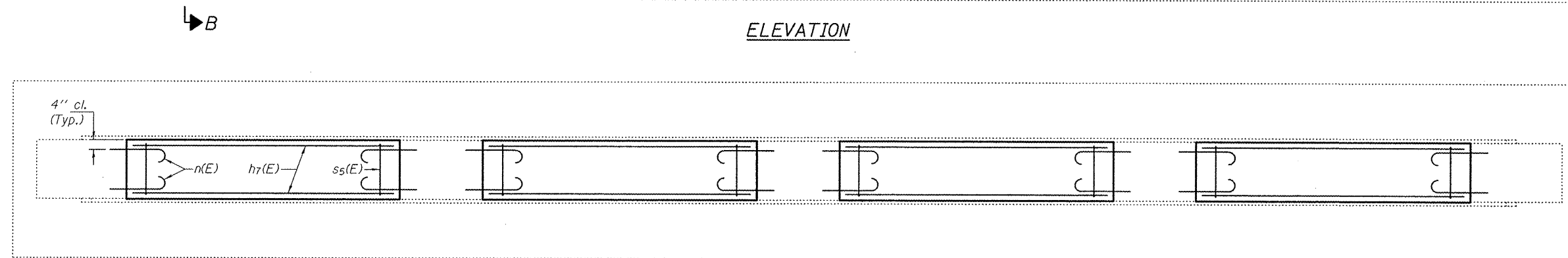


ELEVATION

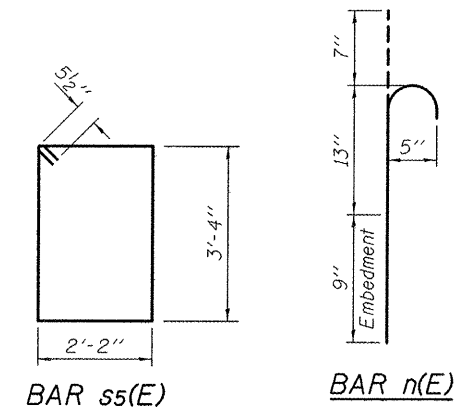


SECTION B-B

* Epoxy grout n(E) bars in 9" min. holes according to Article 584 of the Standard Specifications.



SECTION A-A



BAR ss(E)

BAR n(E)

BILL OF MATERIAL

Bar	No.	Size	Length	Shape
hr(E)	36	#5	10'-8"	—
n(E)	128	#5	2'-5"	⊔
ss(E)	48	#5	11'-11"	□
Concrete Structures			Cu. Yd.	14.9
Reinforcement Bars, Epoxy Coated			Pound	1320



EXPIRES 11-30-2012

DESIGNED DAB	EXAMINED VP	DATE - MAY 1, 2012
CHECKED VP	PASSED VP	REVISIONS
DRAWN baliva		
CHECKED DAB VP		

**STATE OF ILLINOIS
DEPARTMENT OF TRANSPORTATION**

**PIER CRASHWALL EXTENSION
SN 053-0138**

SHEET NO. 7 OF 19 SHEETS

F.A.I. RTE. 55	SECTION D3 IMPACT ATTENUATOR 2012-3	COUNTY LIVINGSTON	TOTAL SHEETS 96	SHEET NO. 16
			CONTRACT NO. 66C01	

ILLINOIS FED. AID PROJECT