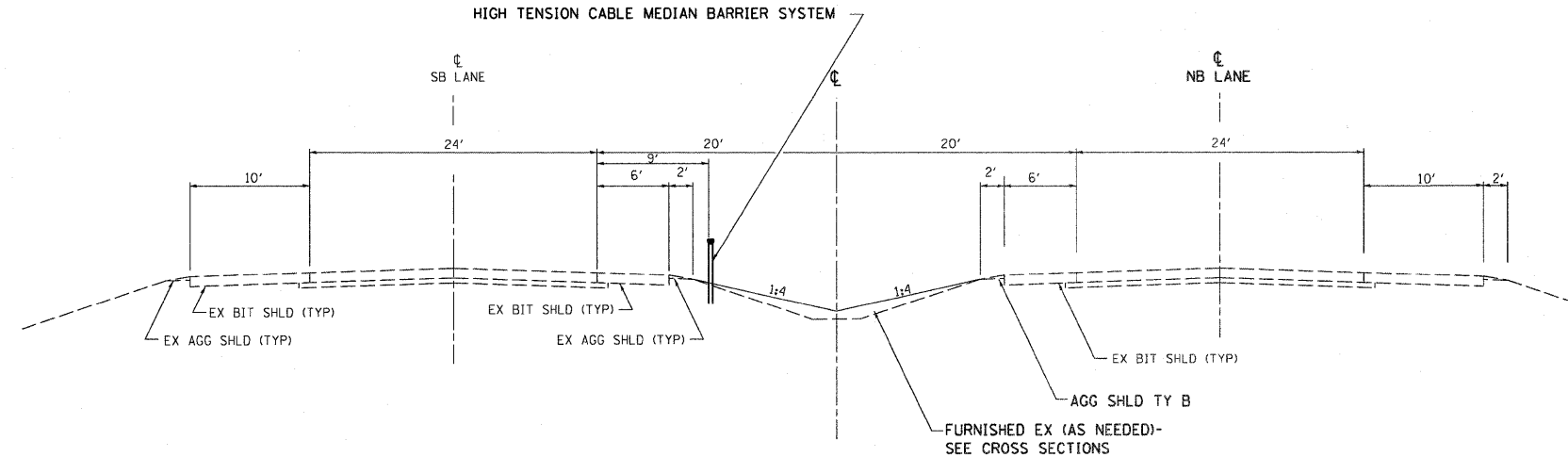


STA 144+90 TO STA 747+00
 OMIT SN 032-0082 & 053-0144 & 5 MAINTENANCE CROSSOVERS
 SEE SCHEDULE

SB SHOWN - NB LOCATIONS SIMILAR - SEE
 DETAIL & SCHEDULE FOR LOCATIONS

- * SLOPE VARIES 1:4 TO 1:20
- **HTCMB OFFSETS FORM EOP:
 STA 144+90 TO STA 737+00-12'
 STA 737+00 TO STA 739+00-VARY 12' TO 9'
 STA 739+00 TO STA 747+00-9'
- ***MEDIAN WIDTH VARIES FROM 88' TO 40'
 FROM STA 714+00 TO STA 747+00

TYPICAL SECTION
FAI 55



STA 747+00 TO STA 1105+78
 STA EQ. 752+28(BK)=1159+20(AH)

TYPICAL SECTION
FAI 55

D3 Interstate Cable Median Barrier 2012

FILE NAME =	USER NAME = *USER*	DESIGNED -	REVISED -	STATE OF ILLINOIS DEPARTMENT OF TRANSPORTATION	TYPICAL SECTIONS		F.A.I. RTE.	SECTION	COUNTY	TOTAL SHEETS	SHEET NO.
#FILEL*	PLOT SCALE = *SCALE*	DRAWN -	REVISED -				55	*	GRUNDY, ILL.	15	3
	PLOT DATE = *DATE*	CHECKED -	REVISED -		SCALE: _____ SHEET _____ OF _____ SHEETS STA. _____ TO STA. _____		CONTRACT NO. 66C05		ILLINOIS FED. AID PROJECT		
		DATE -	REVISED -								