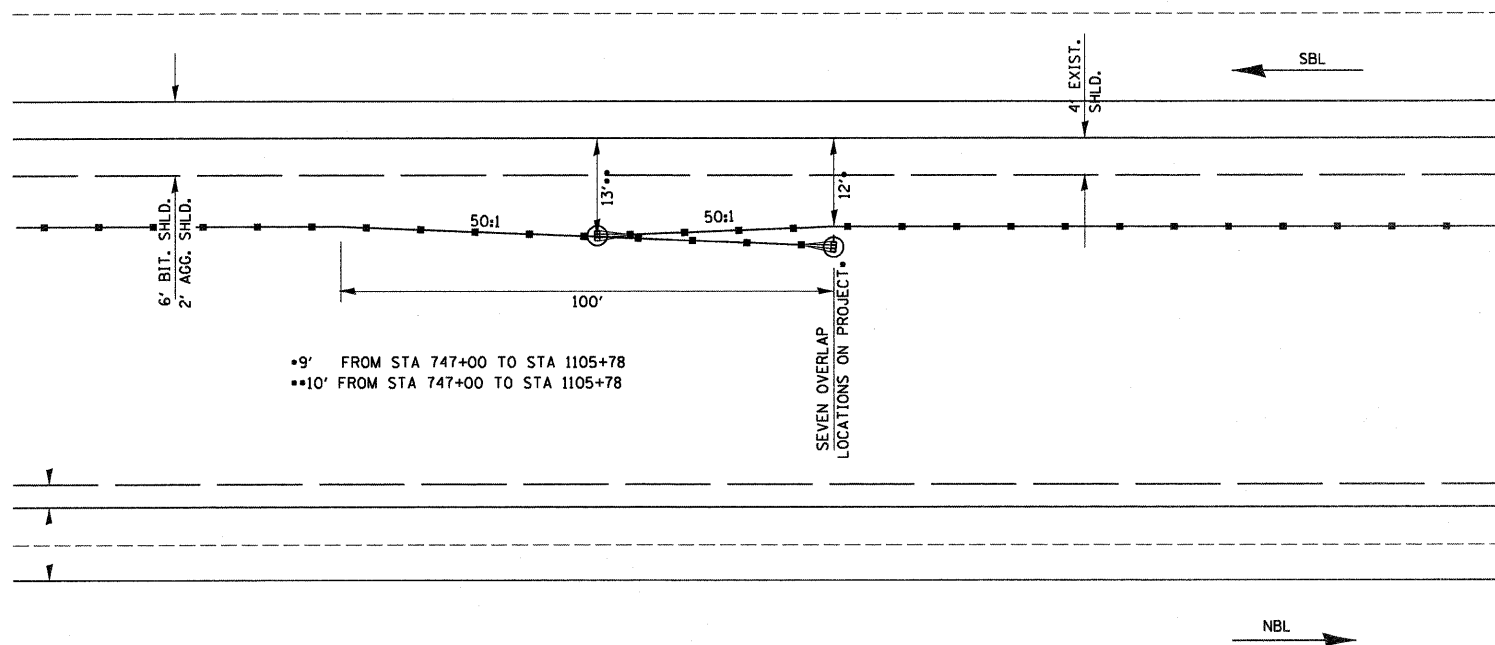


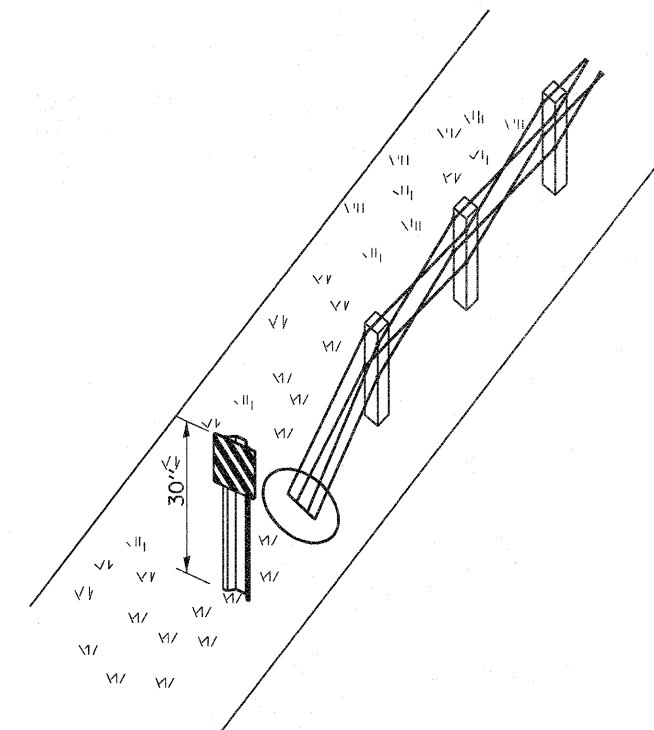
- NOTES:
- POSTS SHALL BE DRIVEN IN ACCORDANCE WITH MANUFACTURES SPECIFICATIONS.
  - POST SPACING MAY BE ALTERED TO AVOID DRAINAGE OR OTHER OBSTACLES.

### 5 MAINTENANCE CROSSOVERS

STA 1105+78 BEGINNING OF PROJECT  
 STA 713+75  
 STA 309+38  
 STA 451+94  
 STA 193+22



### HIGH TENSION CABLE BARRIER OVERLAP DETAIL



### HTC MEDIAN BARRIER POST MOUNTED TERMINAL MARKER DETAIL

ONLY ONE NEEDED AT ALL MAINT. X-OVERS  
 AT THE START OF THE HTCMB, NOT  
 NEEDED AT THE END OF THE HTCMB

NOT TO SCALE

•03 Interstate Cable Median Barrier 2012

FILE NAME =	USER NAME = #USER#	DESIGNED -	REVISED -	<b>STATE OF ILLINOIS DEPARTMENT OF TRANSPORTATION</b>	<b>DETAILS</b>	F.A.I. RTE.	SECTION	COUNTY	TOTAL SHEETS	SHEET NO.	
#FILE#		DRAWN -	REVISED -			55		GRUNDY, LIV.	15	5	
		CHECKED -	REVISED -			CONTRACT NO. 66C05					
		DATE -	REVISED -			ILLINOIS FED. AID PROJECT					