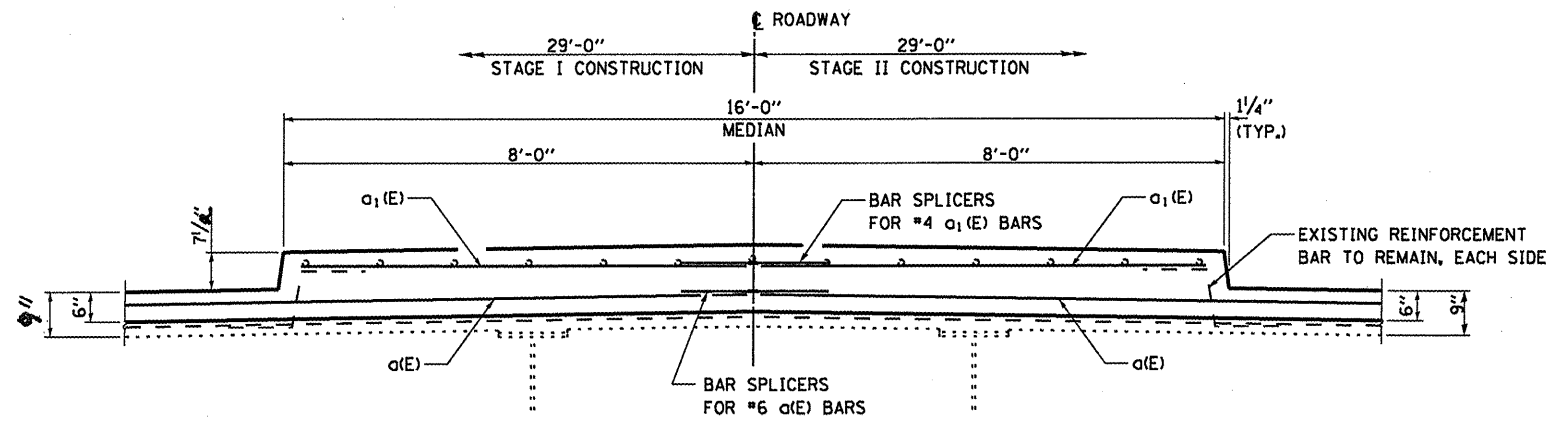


**SECTION AT W. APPR. BENT**

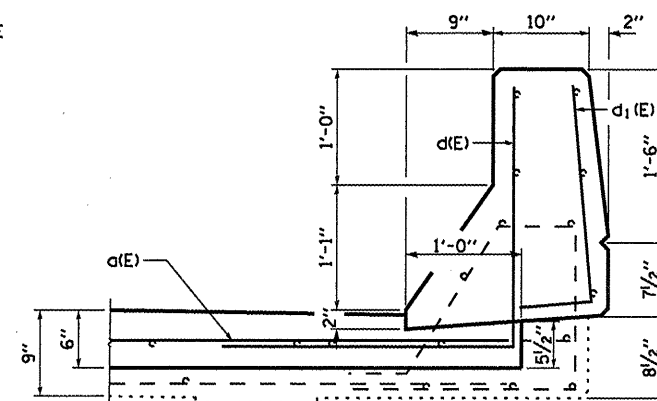
**SECTION AT W. ABUT.**

**SECTION AT E. ABUT.**

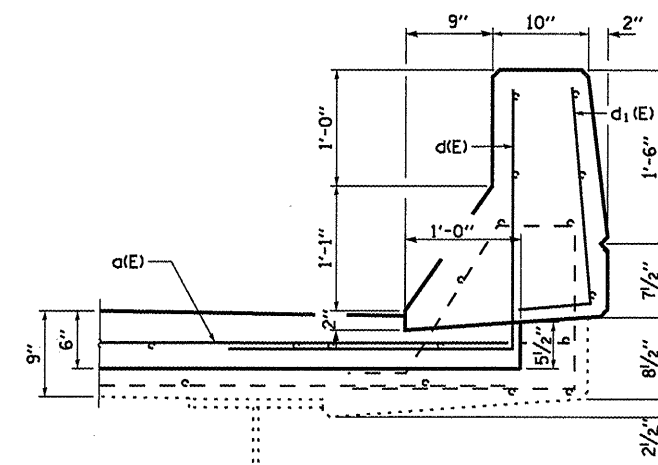
**SECTION AT E. APPR. BENT**



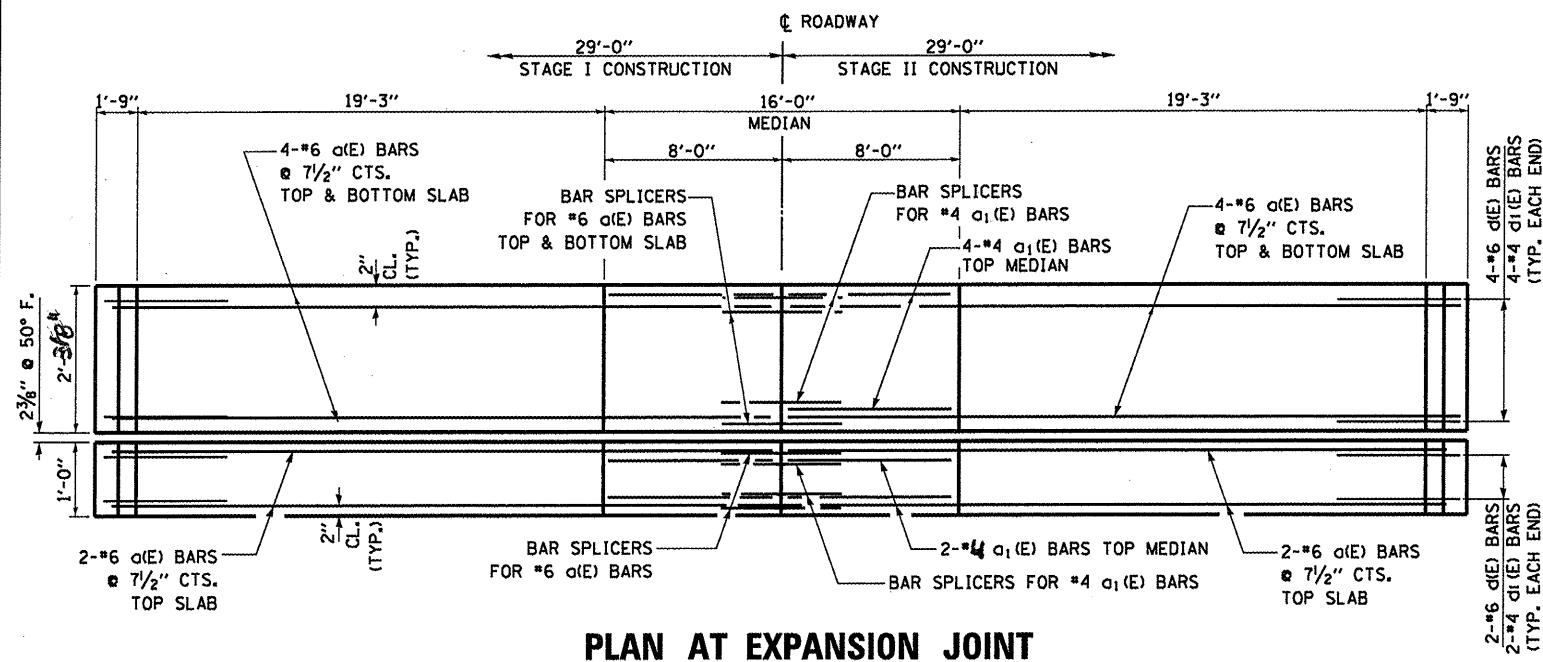
**SECTION AT MEDIAN  
AT EXPANSION JOINTS  
LOOKING EAST**



**CURB SECTION  
SPANS 1 & 4  
AT EXPANSION JOINTS**



**CURB SECTION  
SPANS 2 & 3  
AT EXPANSION JOINTS**



**PLAN AT EXPANSION JOINT**

FILE NAME =	USER NAME = carpentardj	DESIGNED - RLW	REVISED -	<b>STATE OF ILLINOIS DEPARTMENT OF TRANSPORTATION</b>	<b>PROPOSED SUPERSTRUCTURE DETAILS FOR STRUCTURE NO. 006-0069</b>	F.A.S. RTE. =	SECTION	COUNTY	TOTAL SHEETS	SHEET NO.
c:\pwwork\pwwork\carpentardj\d0299254\	D366C16-shd-details.dgn	DRAWN - RLW	REVISED -			2247	106-1HB-211-2	BUREAU	22	15
PLOT SCALE = 1/8" = 1'-0"		CHECKED -	REVISED -			SCALE: SHEET 5 OF 12 SHEETS STA. 28+98.21 TO STA. 31+43.29		CONTRACT NO. 66C16		
PLOT DATE = 4/5/2012		DATE -	REVISED -			ILLINOIS FED. AID PROJECT				