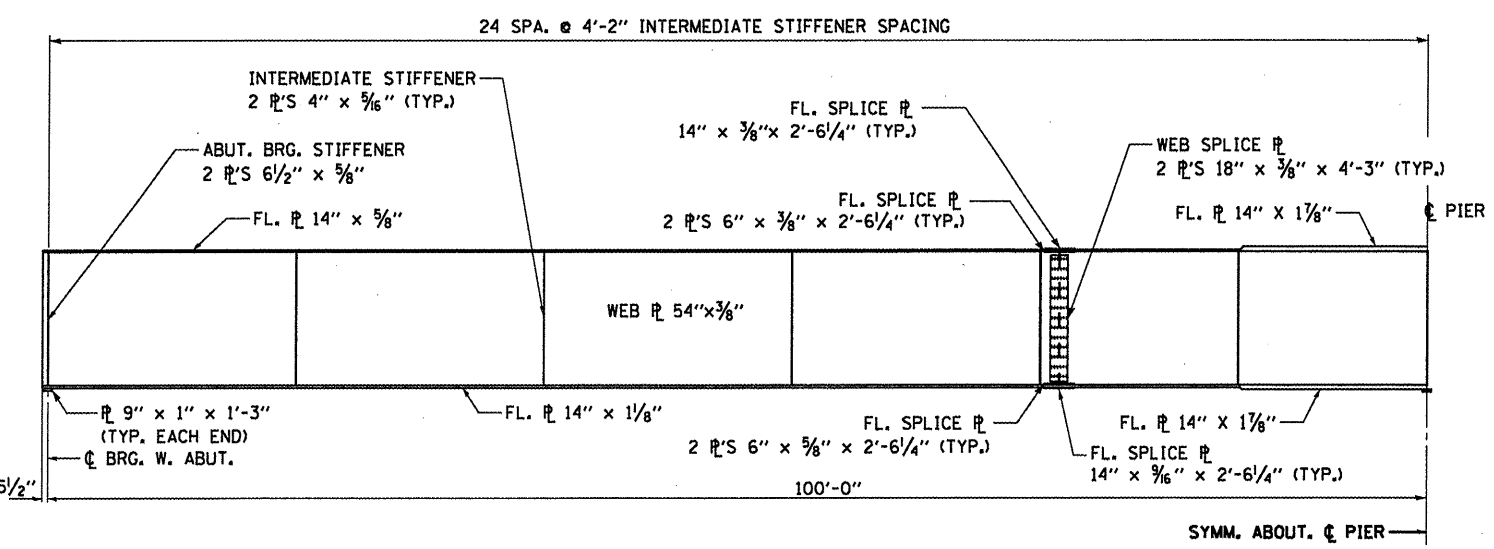
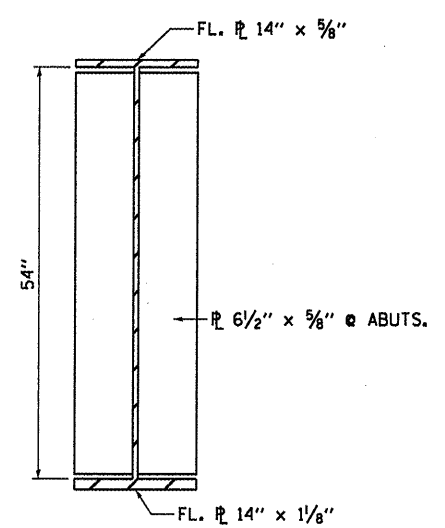


**STRUCTURAL STEEL FRAMING PLAN**

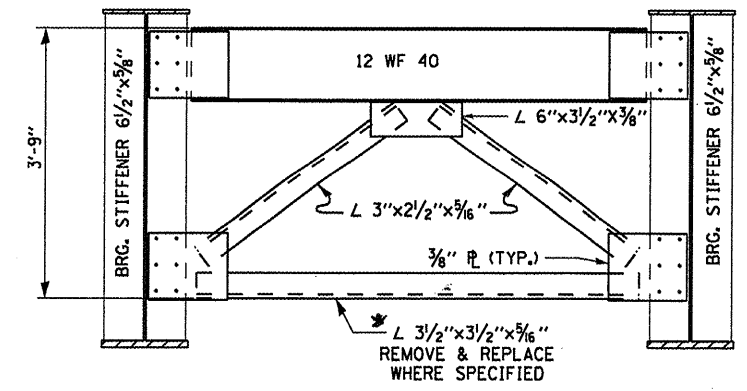
- GIRDER END REPAIR LOCATIONS
- REMOVE AND REPLACE BOTTOM ANGLE OF CROSS FRAME
- FILLER PLATE (SEE SHEET 17 OF 21)



**ELEVATION OF GIRDER**



**GIRDER SECTION**



**EXISTING CROSS FRAME (CF)**

\* Use air-arc gouging for removing weld. New angle to be bolted to gusset plates.

FILE NAME =	USER NAME = carpenterd	DESIGNED - RLW	REVISED -	<b>STATE OF ILLINOIS DEPARTMENT OF TRANSPORTATION</b>	<b>STRUCTURAL STEEL FRAMING DETAILS FOR STRUCTURE NO. 006-0069</b>	F.A.S. RTE.	SECTION	COUNTY	TOTAL SHEETS	SHEET NO.	
c:\pwwork\psidot\carpenterd\1d02992541	D366C16-shd-details.dgn	DRAWN - RLW	REVISED -			2247	06-1HB-21-2	BUREAU	22	17	
	PLOT SCALE = 1/8" = 1'-0"	CHECKED -	REVISED -			CONTRACT NO. 66C16					
	PLOT DATE = 4/5/2012	DATE -	REVISED -			ILLINOIS FED. AID PROJECT					
				SCALE: SHEET 7 OF 12 SHEETS STA. 28+98.21 TO STA. 31+43.29							