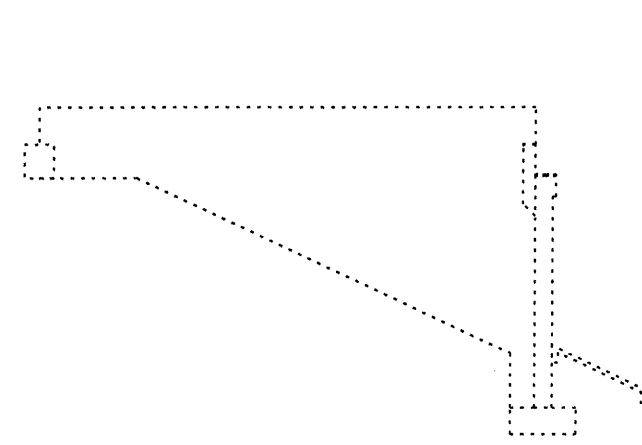
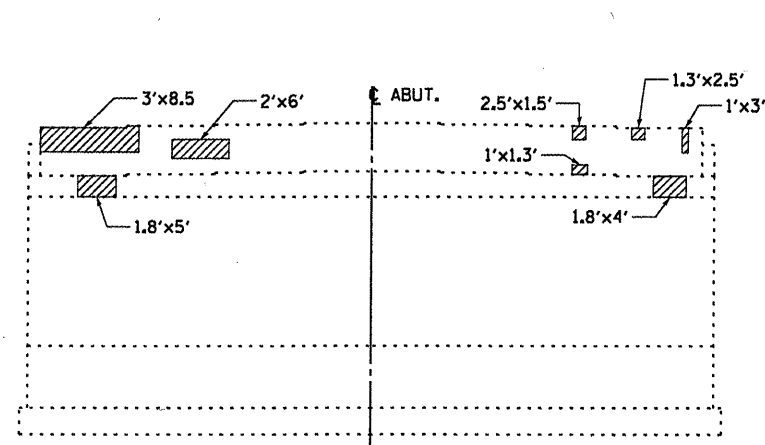


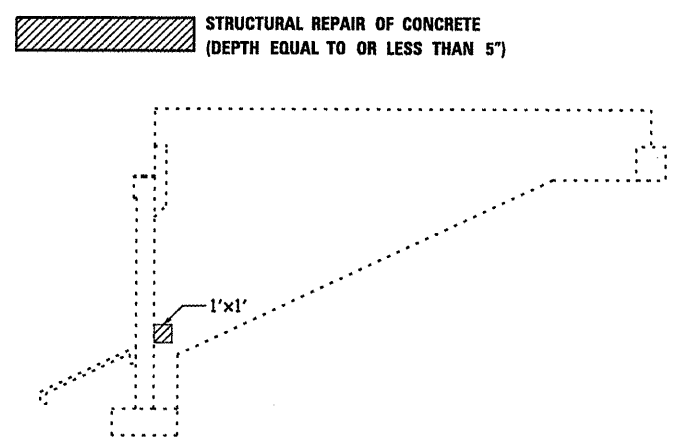
PLAN



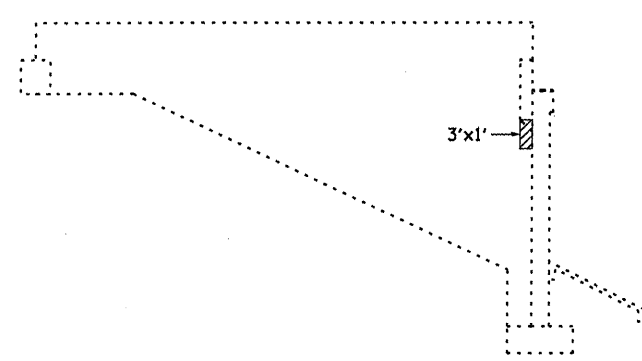
SOUTH ELEVATION



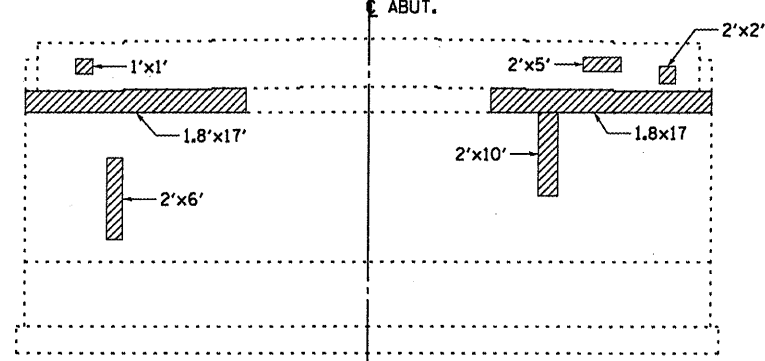
WEST ABUTMENT



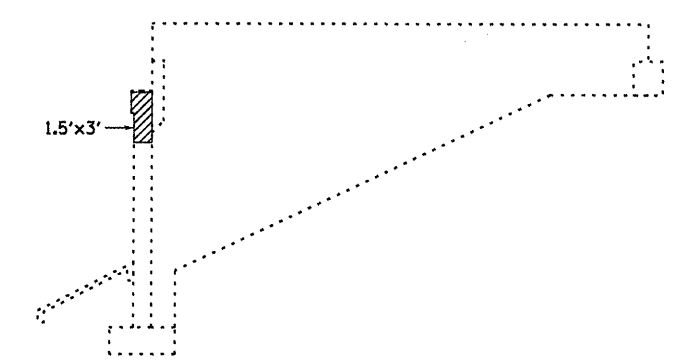
NORTH ELEVATION



NORTH ELEVATION

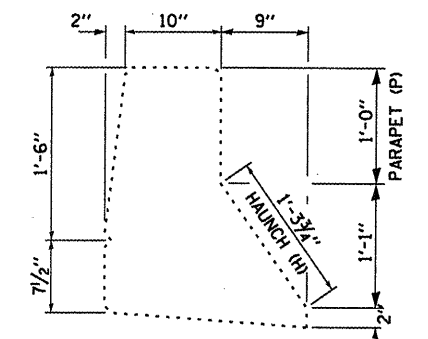


EAST ABUTMENT



SOUTH ELEVATION

STRUCTURAL REPAIR OF CONCRETE (DEPTH EQUAL TO OR LESS THAN 5")



PARAPET SECTION

NOTE:
CONTRACTOR SHALL TAKE SPECIAL CARE AS TO NOT DAMAGE EXISTING ELECTRICAL CONDUIT. IF THE ELECTRICAL CONDUIT IS DAMAGED, THE CONDUIT/WIRE SHALL BE REPAIRED OR REPLACED AT THE CONTRACTOR'S EXPENSE.

IF CONCRETE REMOVAL METHODS ACCORDING TO THE SPECIAL PROVISION FOR " STRUCTURAL REPAIR OF CONCRETE, (DEPTH EQUAL TO OR LESS THAN 5" PROGRESSES WITHIN ONE INCH (1") OF EXISTING BEARING PLATES, THE CONTRACTOR SHALL FURNISH AND INSTALL TEMPORARY SHORING & CRIBBING AT EACH BEAM LOCATION THAT IS AFFECTED. COST SHALL BE PAID FOR ACCORDING TO ARTICLE 109.04 OF THE STANDARD SPECIFICATIONS.

BILL OF MATERIAL

Item	Unit	Total
Structural Repair of Concrete Depth Equal To Or Less Than 5"	Sq Ft	372