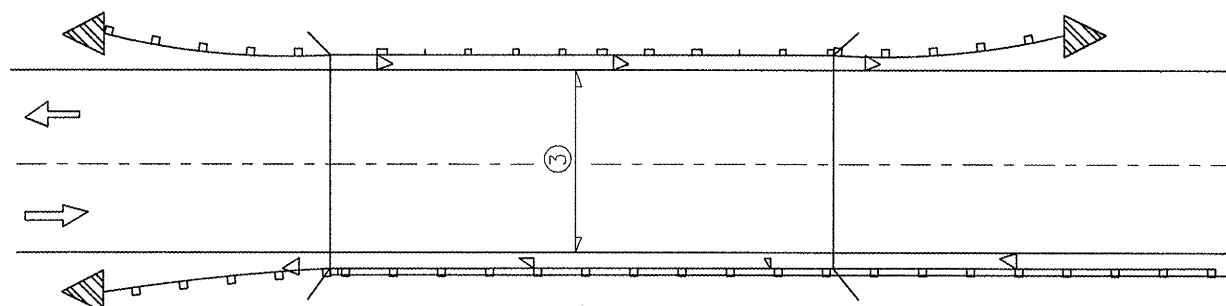


Reflectors are not to be placed on Terminal End Sections.
(min. 3 reflectors regardless of length).
After 400 ft transition, match existing delineator spacing.

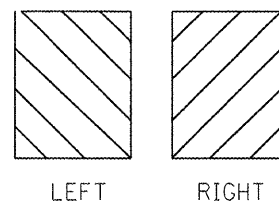
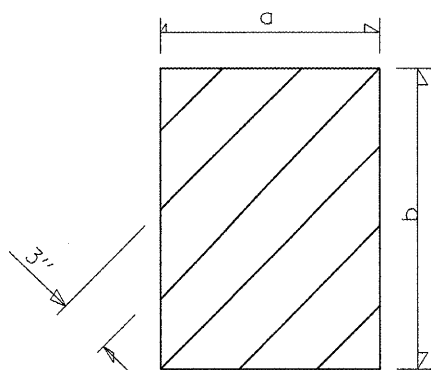
ONE-WAY TRAFFIC



③ Bidirectional silver/silver should be used in lieu of monodirectional silver on both sides of two-lane bridges where the pavement is less than 24" wider than the pavement approaching the bridge.

- ◁ Monodirectional silver
- ◀ Monodirectional amber
- ▴ Terminal Marker - Black/Yellow
Left or Right as appropriate

TWO-WAY TRAFFIC

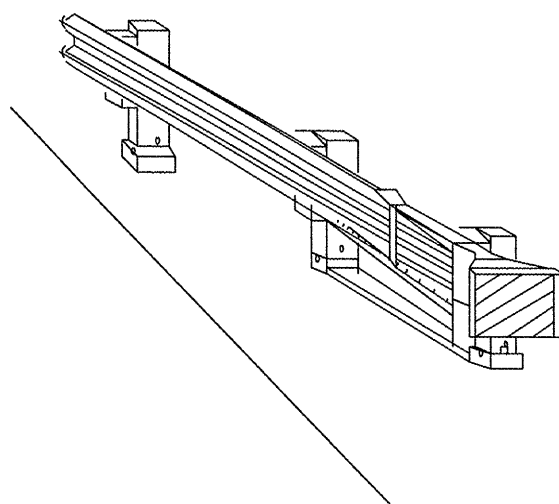


DIMENSION	CASE I	CASE II
a	*	450 (18)
b	*	406 (16)

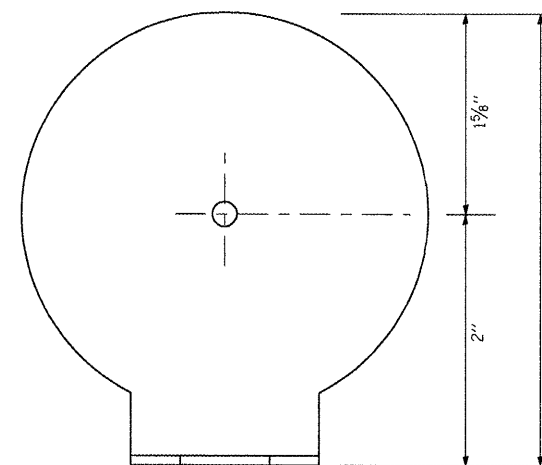
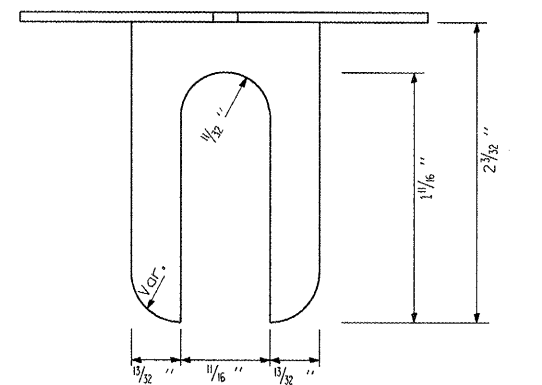
* The width and height (a, b) of the terminal marker shall be within approximately 25 mm (1 inch) of the outer edge of the terminal end, with a minimum reflective area of 0.18 m² (288 sq. in.)

TERMINAL MARKER DETAILS

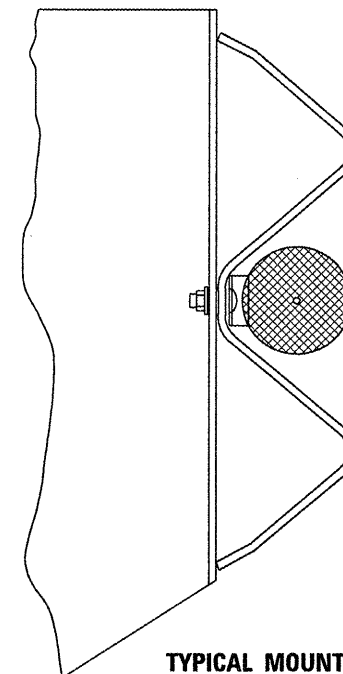
Color: Black / Yellow reflectorized



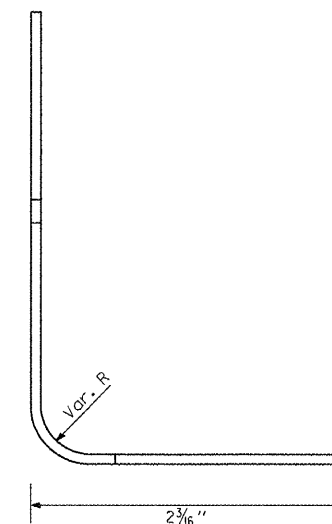
**REFLECTOR AND
TERMINAL MARKER PLACEMENT**



REFLECTOR MARKER TYPE A



**TYPICAL MOUNTING
WITH REFLECTOR**



NOTES:

1. BRACKET IS TO BE FABRICATED FROM 12 GA. (MIN) STEEL GALVANIZED IN ACCORDANCE WITH AASHTO M III.
2. MIN. 3 REFLECTORS PER SIDE.
3. BRACKET "FOOT" SHALL BE PLACED BETWEEN THE BOLT HEAD AND THE PLATE WASHER (IF PRESENT).
4. ON THRIE BEAM RAIL, THE BRACKETS SHALL BE ATTACHED TO THE UPPER SPLICE BOLTS.
5. USE CRYSTAL COLOR, BI-DIRECTIONAL REFLECTORS USE AMBER (LEFT) AND CRYSTAL (RIGHT), MONODIRECTIONAL REFLECTORS ON INTERSTATES
6. ALL DIMENSIONS SHOWN ARE MINIMUM

REFLECTOR DETAIL

• D-3 HIGHWAY DAMAGE REPAIR 2013

FILE NAME =	USER NAME = quigleyml	DESIGNED -	REVISED -
ca:\pw\work\p\dot\quigleyml\d0380564\0380564-1\0380564-1.dgn		DRAWN -	REVISED -
PLOT SCALE = 100.0000 / in.		CHECKED -	REVISED -
PLOT DATE = 3/26/2012		DATE -	REVISED -

STATE OF ILLINOIS
DEPARTMENT OF TRANSPORTATION

REFLECTOR AND TERMINAL MARKER PLACEMENT DETAIL

SCALE: SHEET NO. OF SHEETS STA. TO STA.

F.A. RTE.	SECTION	COUNTY	TOTAL SHEETS	SHEET NO.
VAR.		VAR.	37	7
FED. ROAD DIST. NO.		ILLINOIS FED. AID PROJECT		
CONTRACT NO. 66C18				