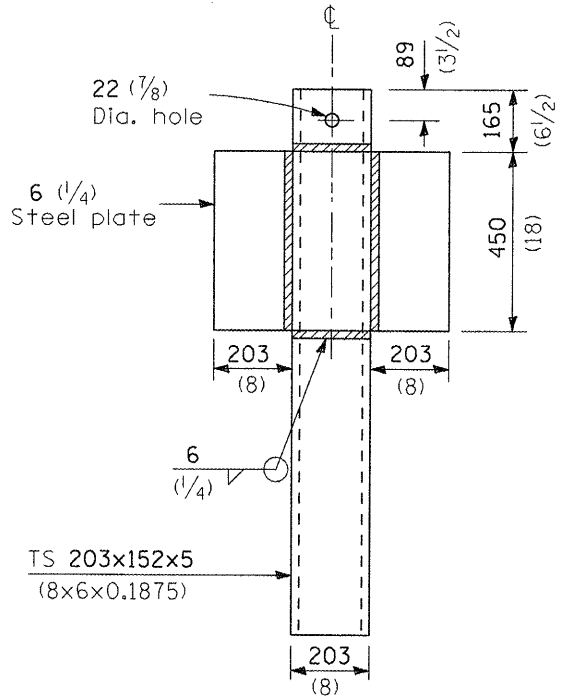
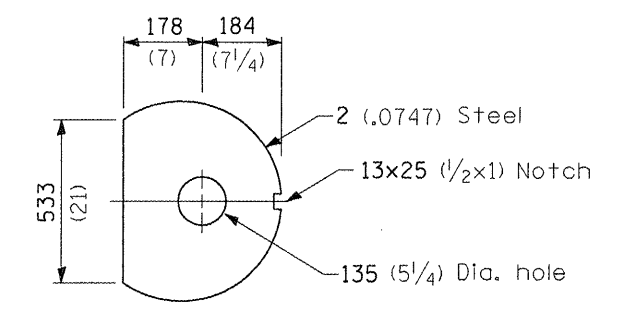


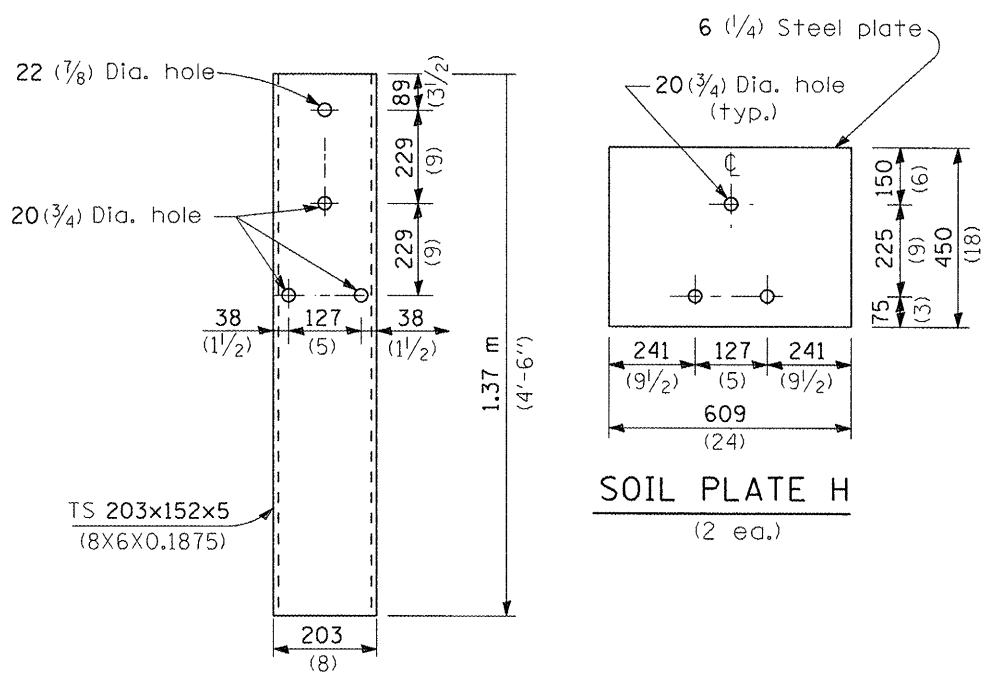
WOOD BREAKAWAY POST
(2 ea.)



ALTERNATE SOIL PLATE CONNECTION

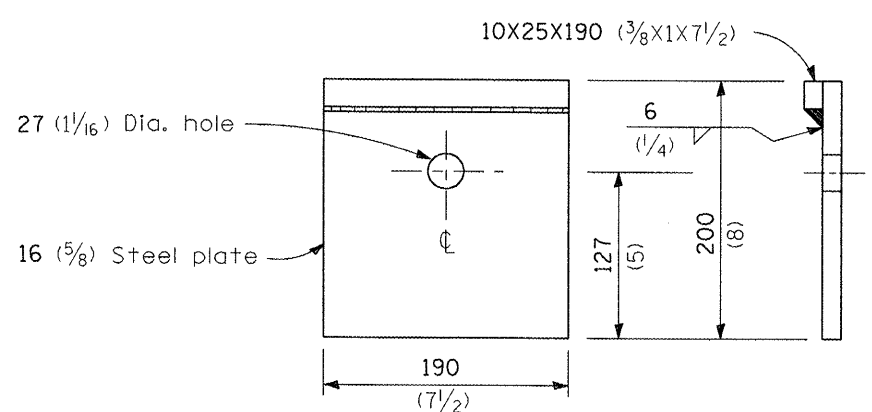


DIAPHRAGM
(2 ea.)

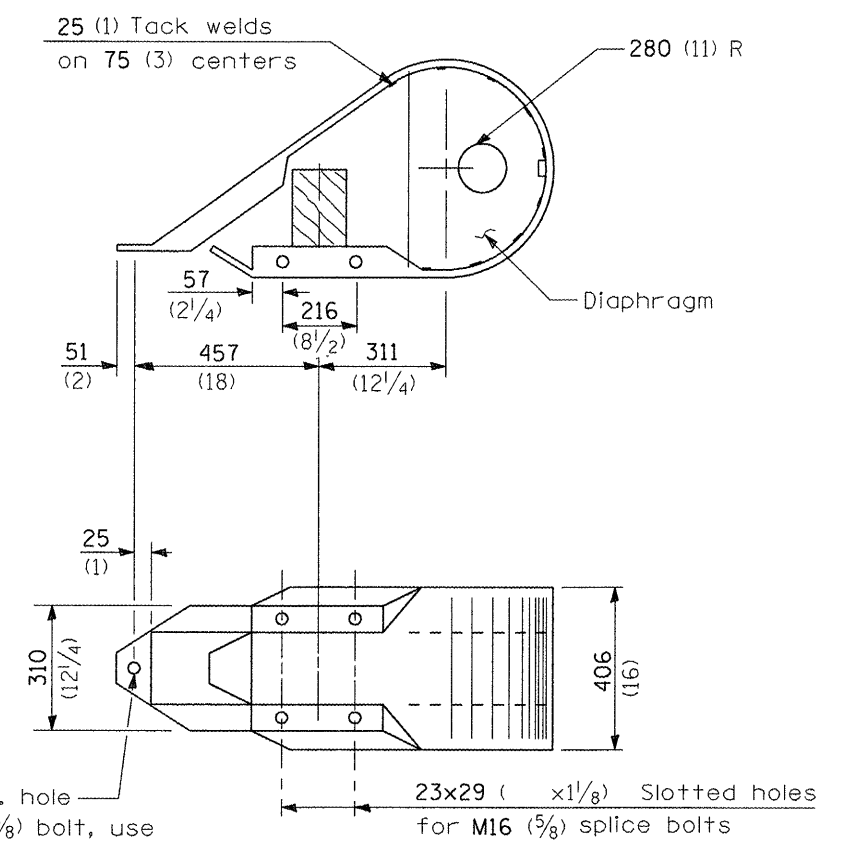


STEEL TUBE
(2 ea.)

SOIL PLATE H
(2 ea.)



BEARING PLATE K
(1 ea.)



NOSE
(1 ea.)

DETAIL INCLUDED FOR REPAIR ONLY

All dimensions are in millimeters (inches) unless otherwise shown.

FILE NAME =	USER NAME = quigleyml	DESIGNED -	REVISED -	STATE OF ILLINOIS DEPARTMENT OF TRANSPORTATION	TRAFFIC BARRIER TERMINAL TYPE 1 STANDARD B.L.R. 23	F.A. RTE.	SECTION	COUNTY	TOTAL SHEETS	SHEET NO.	
cr:\pw\work\p\idot\quigleyml\d0300564\0368C18-sh1-detail1.s.dgn	PLOT SCALE = 100.0000 / in.	CHECKED -	REVISED -			VAR.		VAR.	37	11	
	PLOT DATE = 3/26/2012	DATE -	REVISED -			CONTRACT NO. 66B29					
						FED. ROAD DIST. NO. ILLINOIS FED. AID PROJECT					

• D-3 HIGHWAY DAMAGE REPAIR 2013