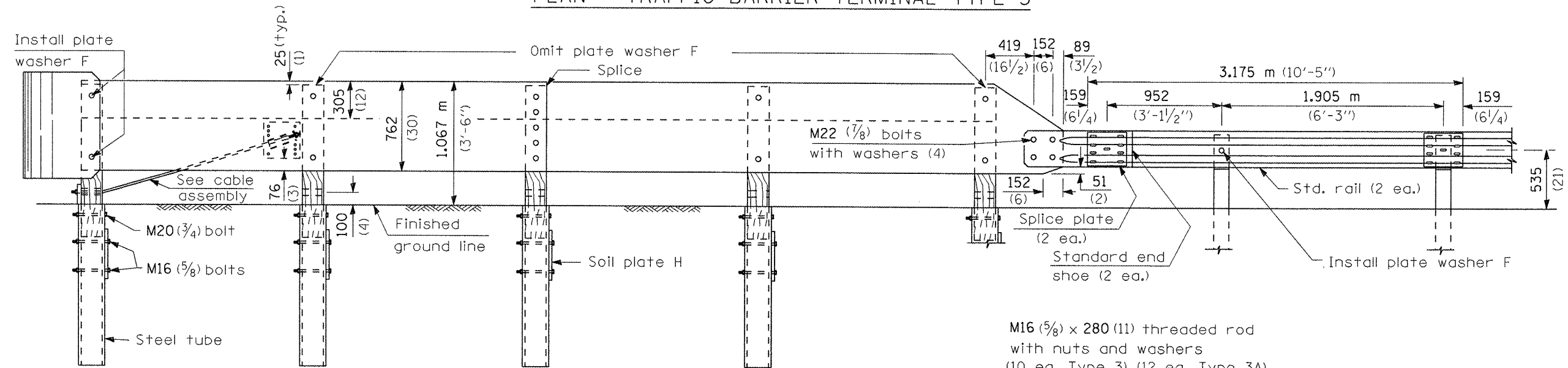
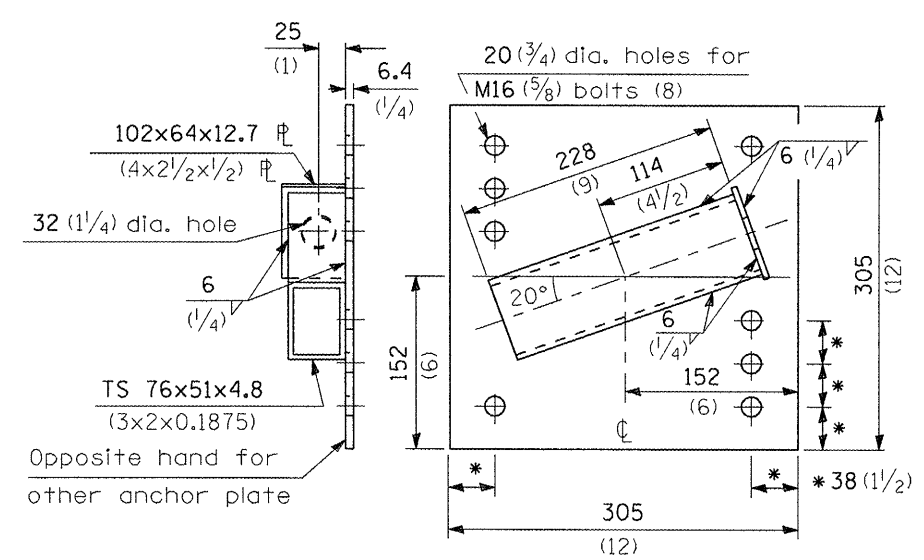


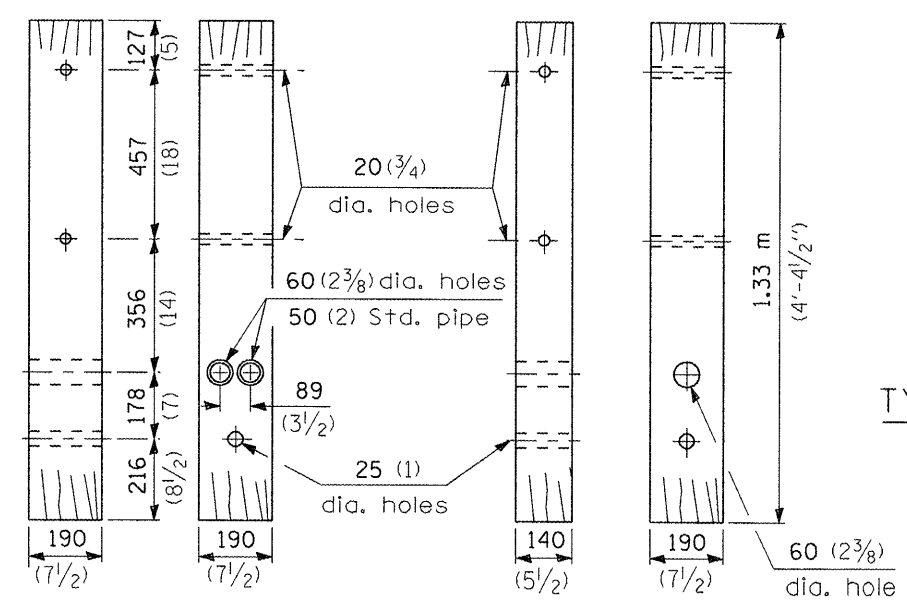
PLAN - TRAFFIC BARRIER TERMINAL TYPE 3



ELEVATION

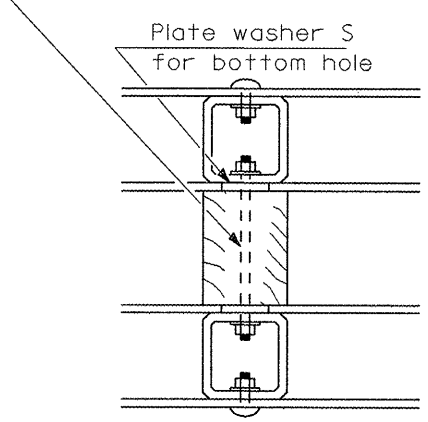


ANCHOR PLATE R  
(1 ea. lt. hd. & 1 ea. rt. hd.)



END TERMINAL POST (1 ea.)  
TERMINAL POST (4 ea. Type 3, 5 ea. Type 3A)

M16 (5/8) x 280 (11) threaded rod with nuts and washers (10 ea. Type 3) (12 ea. Type 3A)



TYPICAL BLOCK-OUT/POST ATTACHMENT

GENERAL NOTES

- All holes in Posts, Block-Outs and Plates shall be 20 mm (3/4") diameter unless otherwise noted.
- See Standard 630001 for details of guardrail elements not shown.
- Unless otherwise shown all bolts and nuts shall be Standard Post and Splice Bolts and Nuts (See Standard 630001).
- Block-Out AA shall be used at all locations unless otherwise noted.

**DETAIL INCLUDED FOR REPAIR ONLY**

All dimensions are in millimeters (inches) unless otherwise shown.

FILE NAME =	USER NAME = quigleyml	DESIGNED -	REVISED -	<b>STATE OF ILLINOIS DEPARTMENT OF TRANSPORTATION</b>	<b>TRAFFIC BARRIER TERMINAL TYPE 3 &amp; 3A</b>	F.A. RTE.	SECTION	COUNTY	TOTAL SHEETS	SHEET NO.
es:\pw_work\p\p\quigleyml\d0380564\0380564.dgn	SC18-shr-detailed.dgn	DRAWN -	REVISED -			VAR.	*	VAR.	37	12
PLOT SCALE = 100.0000 / 1 in.	CHECKED -	REVISED -	REVISED -			CONTRACT NO. 66C18				
PLOT DATE = 3/26/2012	DATE -	REVISED -	REVISED -			SCALE:	SHEET NO. OF SHEETS	STA. TO STA.	FED. ROAD DIST. NO.	ILLINOIS FED. AID PROJECT