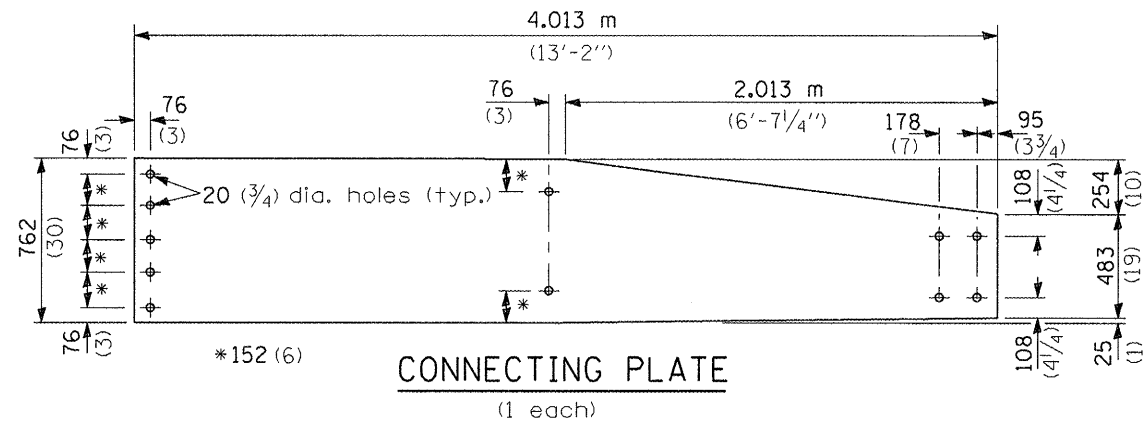
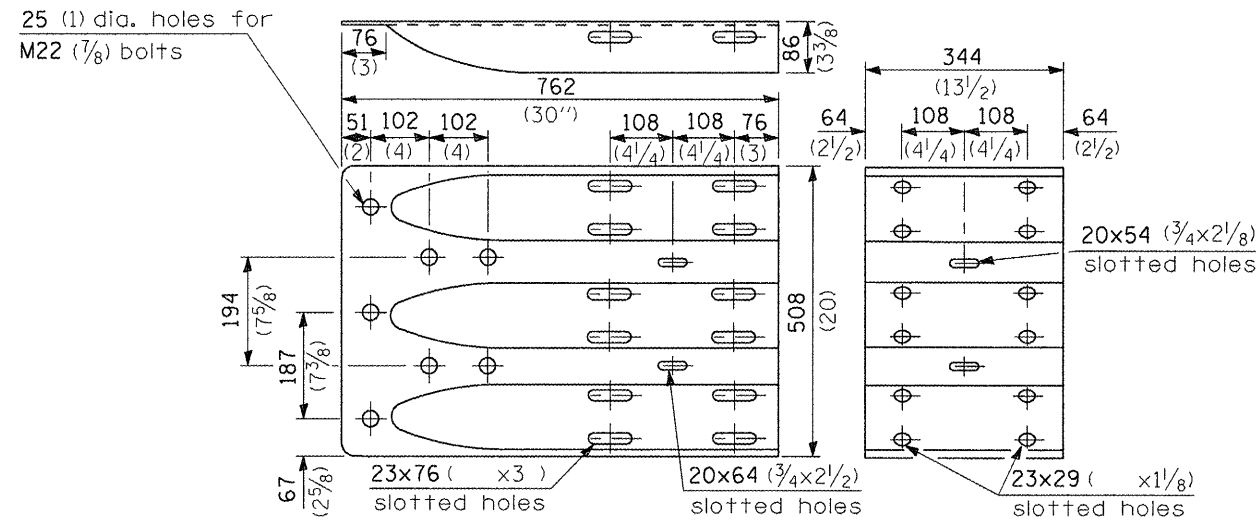


**TYPE 3A ONLY**



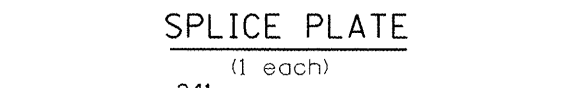
**CONNECTING PLATE**

(1 each)



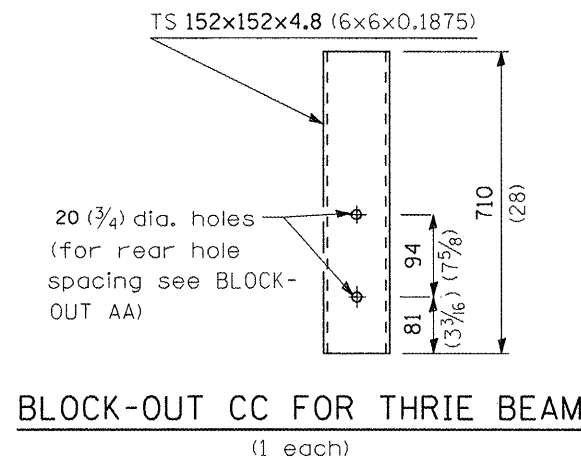
**THRIE BEAM END SHOE**

(1 each)



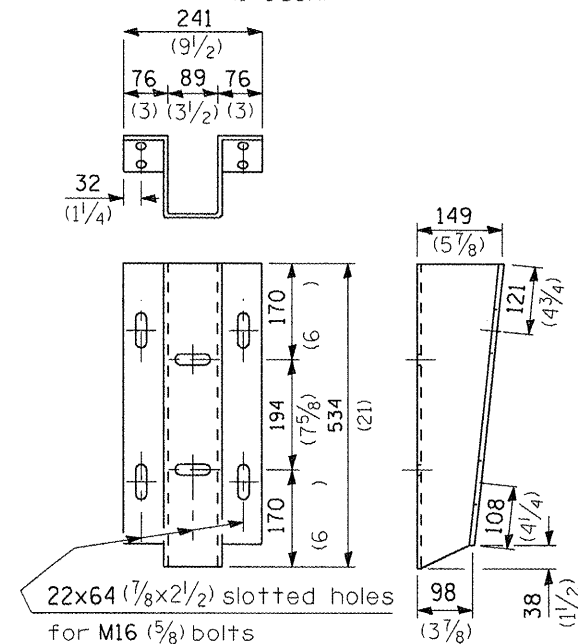
**SPLICE PLATE**

(1 each)



**BLOCK-OUT CC FOR THRIE BEAM**

(1 each)

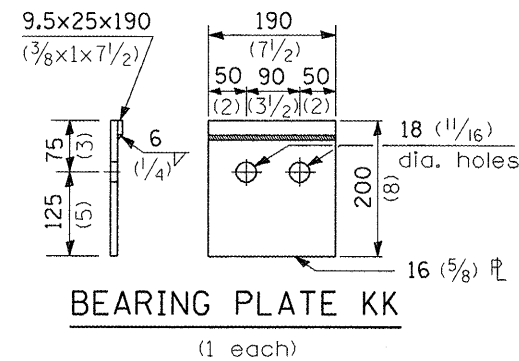


**BRACKET Z**

(2 each)

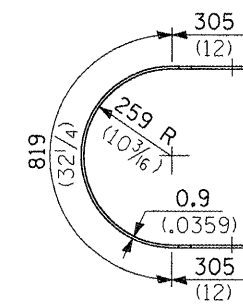
(6.4 1/4) steel plate or section of rectangular tubing with flanges welded on)

**TYPE 3 & 3A**



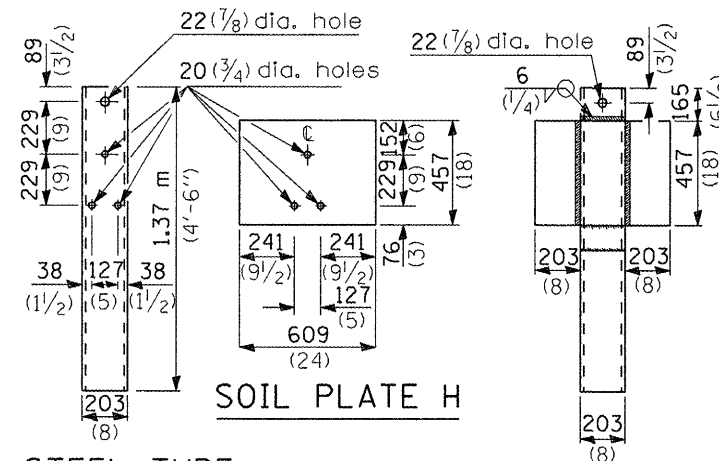
**BEARING PLATE KK**

(1 each)



**NOSE**

(1 ea.)

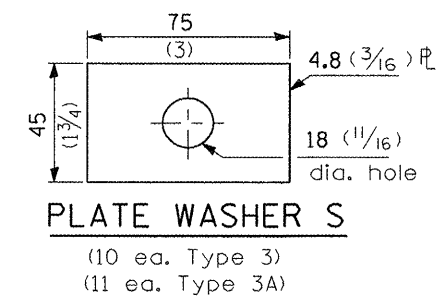


**STEEL TUBE**

TS 203x203x4.8 (8x8x0.1875) (end terminal post) (1 ea.)

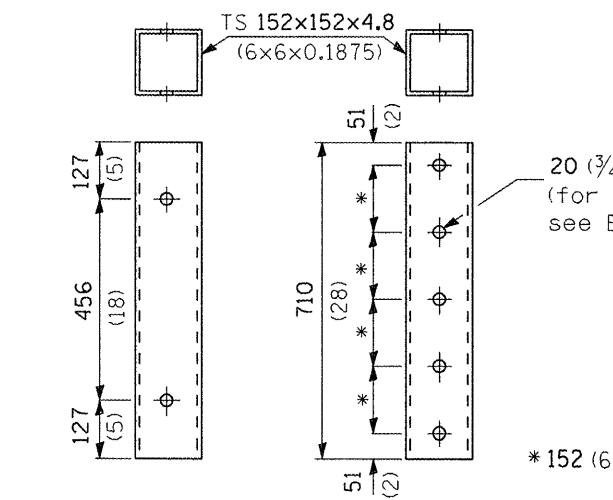
TS 203x152x4.8 (8x6x0.1875) (terminal post) (4 ea. Type 3) (5 ea. Type 3A)

**ALTERNATE SOIL PLATE CONNECTION**



**PLATE WASHER S**

(10 ea. Type 3) (11 ea. Type 3A)



**BLOCK-OUT AA**

(8 ea.)

**BLOCK-OUT BB**

(2 ea. Type 3) (3 ea. Type 3A)

**DETAIL INCLUDED FOR REPAIR ONLY**

All dimensions are in millimeters (inches) unless otherwise shown.

FILE NAME =	USER NAME = quigleyml	DESIGNED -	REVISED -	<b>STATE OF ILLINOIS DEPARTMENT OF TRANSPORTATION</b>	<b>TRAFFIC BARRIER TERMINAL TYPE 3 &amp; 3A</b>	F.A. RTE.	SECTION	COUNTY	TOTAL SHEETS	SHEET NO.	
o:\pwwork\pwwork\quigleyml\d0300564\0300564.dwg	BC18-shr-details.dgn	DRAWN -	REVISED -			VAR.			VAR.	37	14
PLOT SCALE = 100.0000 / 1 in.		CHECKED -	REVISED -			CONTRACT NO. 66C18					
PLOT DATE = 3/26/2012		DATE -	REVISED -			SCALE:	SHEET NO.	OF	SHEETS	STA.	TO STA.

• D-3 HIGHWAY DAMAGE REPAIR 2013