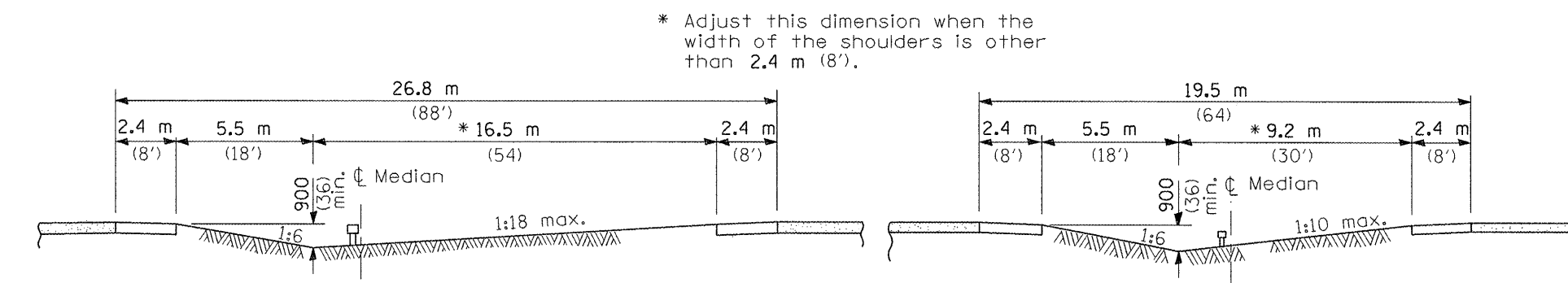


SECTION C-C

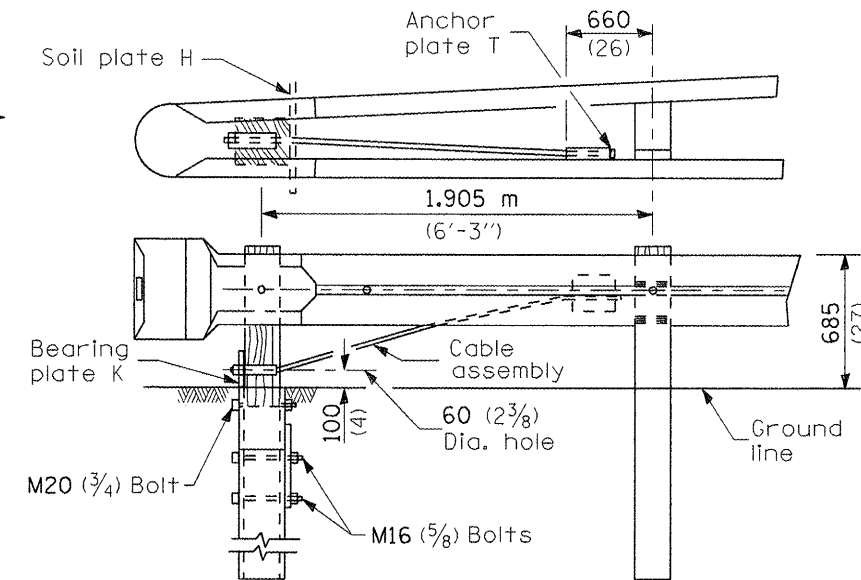
RETURNED END DETAIL



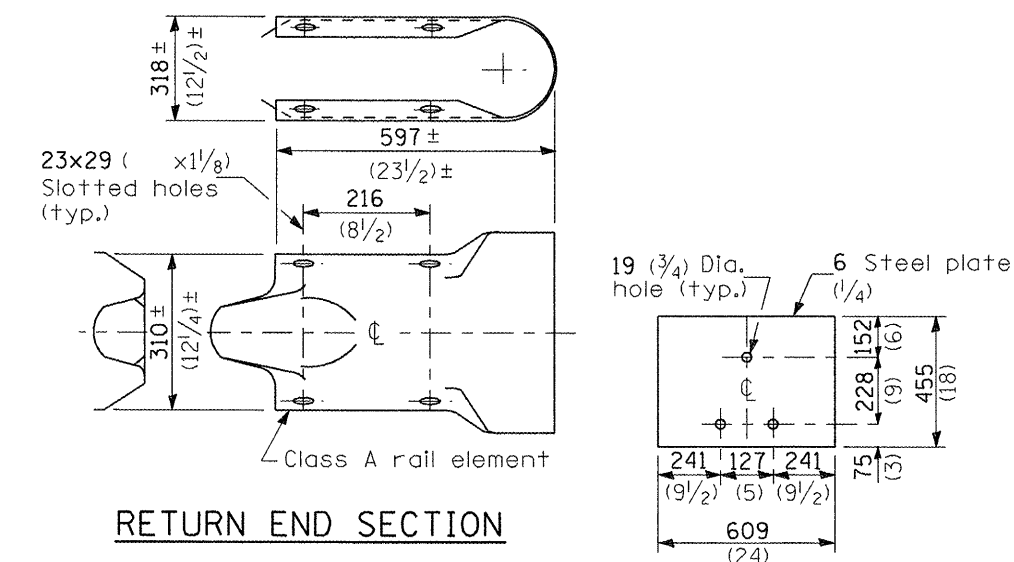
SECTION A-A

SECTION B-B

* Adjust this dimension when the width of the shoulders is other than 2.4 m (8').

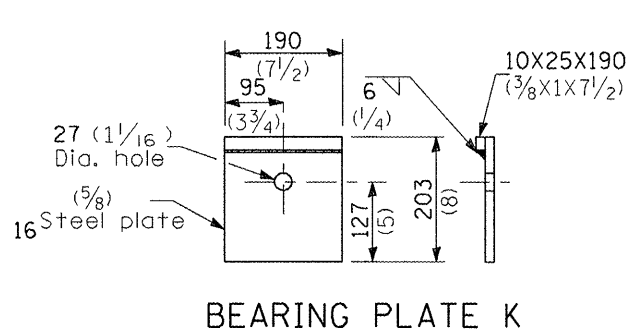


WOOD POST TUBULAR STEEL FOUNDATION

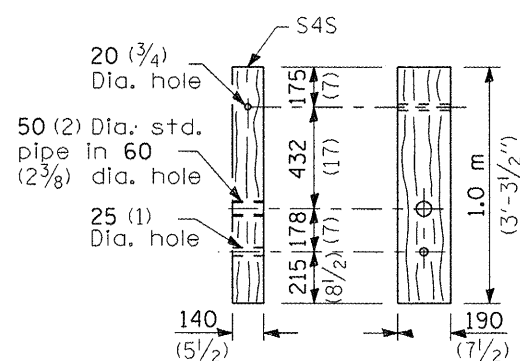


RETURN END SECTION

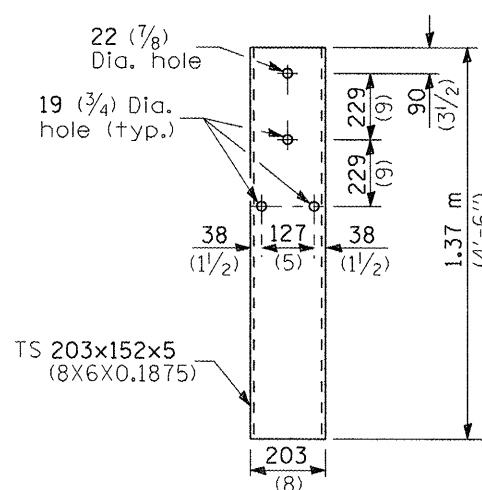
SOIL PLATE H



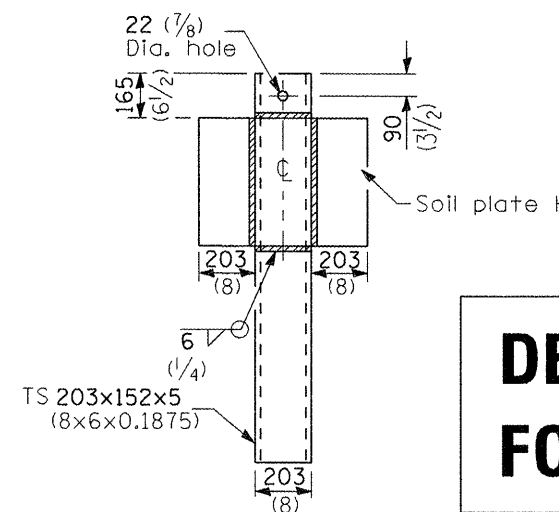
BEARING PLATE K



WOOD BREAKAWAY POST



STEEL TUBE



ALTERNATE SOIL PLATE CONNECTION

DETAIL INCLUDED FOR REPAIR ONLY

All dimensions are in millimeters (inches) unless otherwise shown.

FILE NAME =	USER NAME = quigleyml	DESIGNED -	REVISED -	STATE OF ILLINOIS DEPARTMENT OF TRANSPORTATION	TRAFFIC BARRIER TERMINAL TYPE 4	F.A. RTE.	SECTION	COUNTY	TOTAL SHEETS	SHEET NO.	
ca:\pwork\pwork\quigleyml\d0300564\030618-sht-detail.dgn	PLOT SCALE = 100,0000 / in.	DRAWN -	REVISED -			VAR.		VAR.	37	16	
	PLOT DATE = 3/26/2012	CHECKED -	REVISED -			CONTRACT NO. 66C18					
		DATE -	REVISED -			FED. ROAD DIST. NO. [ILLINOIS] FED. AID PROJECT					

D-3 HIGHWAY DAMAGE REPAIR 2013

SCALE: SHEET NO. OF SHEETS STA. TO STA.