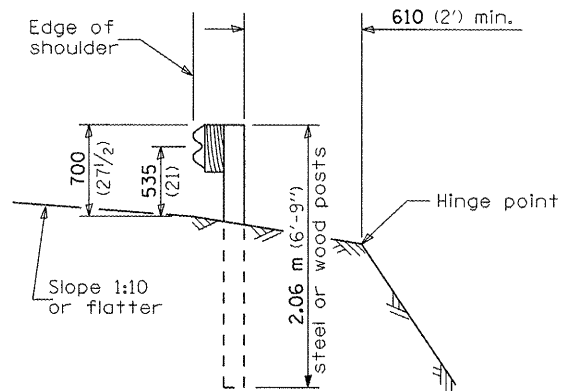
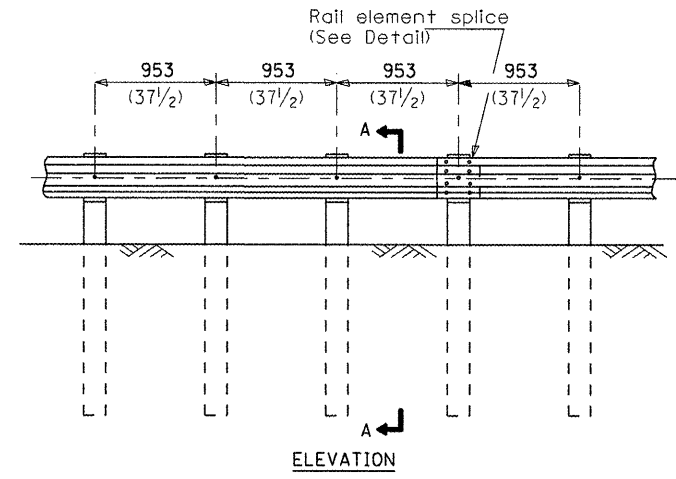


TYPE A

1.905 m (6'-3") Typical post spacing

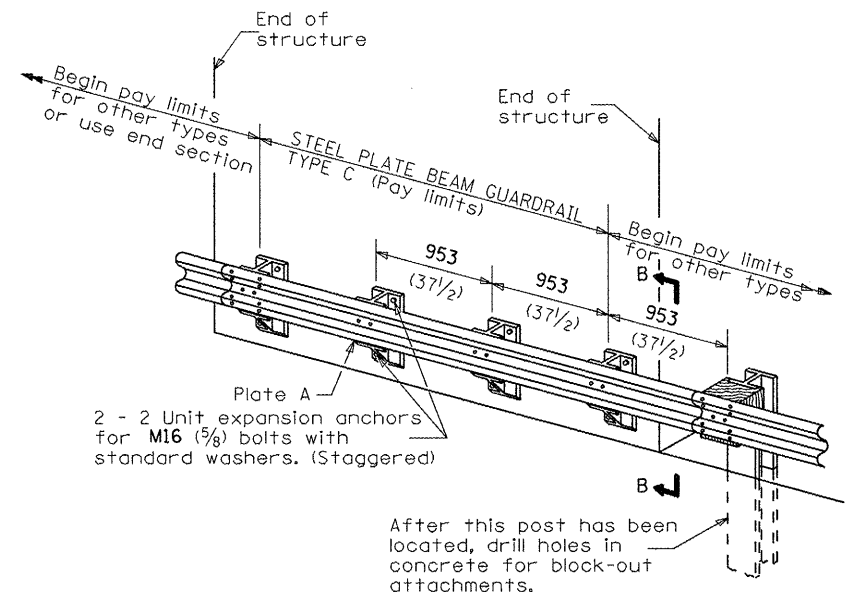


SECTION A-A



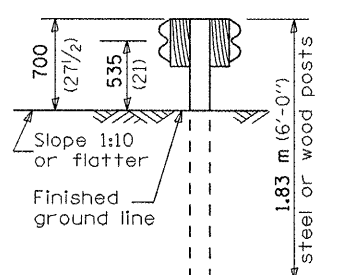
TYPE B

953 (37 1/2) Closed post spacing

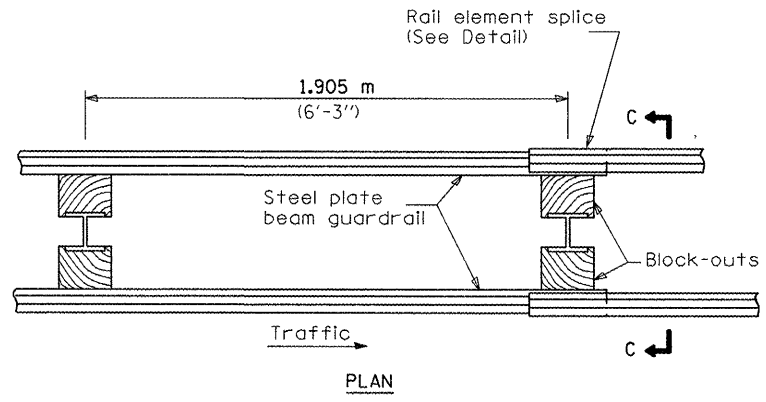


TYPE C

953 (37 1/2) Block-out spacing

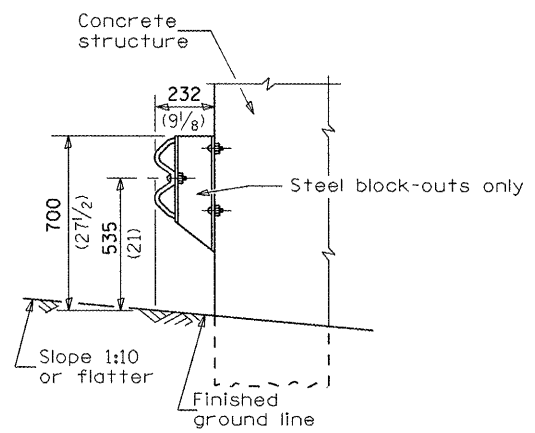


SECTION C-C



TYPE D

Double steel plate beam guardrail
1.905 m (6'-3") typical post spacing



SECTION B-B

GENERAL NOTES

All slope ratios are expressed as units of vertical displacement to units of horizontal displacement (V:H).
All dimensions are in millimeters (inches) unless otherwise shown.

| | | | | | | | | | | | | | | | |
|--|--|--|--|---|--|--|--|--|--|--|--|--|--|---------------------------|--|
| <p>FILE NAME * USER NAME * quigleyml DESIGNED - REVISIONS -</p> | | | | <p>STATE OF ILLINOIS DEPARTMENT OF TRANSPORTATION</p> | | | | <p>PRE-MGS EFFECTIVE 4-1-06 STEEL PLATE BEAM GUARDRAIL STANDARD 630001-06</p> | | | | <p>F.A. RTE. SECTION COUNTY TOTAL SHEETS SHEET NO.</p> | | | |
| <p>es\pw_work\p\p\quigleyml\d0300564\0300564.dgn DRAWN - REVISIONS -</p> | | | | | | | | | | | | <p>SCALE: SHEET NO. OF SHEETS STA. TO STA.</p> | | <p>VAR. VAR. 37 17</p> | |
| <p>PLOT SCALE = 100.0000 ' / in. CHECKED - REVISIONS -</p> | | | | | | | | | | | | <p>(Sheet 1 of 4)</p> | | <p>CONTRACT NO. 66C18</p> | |
| <p>PLOT DATE = 3/26/2012 DATE - REVISIONS -</p> | | | | | | | | | | | | <p>FED. ROAD DIST. NO. ILLINOIS FED. AID PROJECT</p> | | <p>CONTRACT NO. 66C18</p> | |