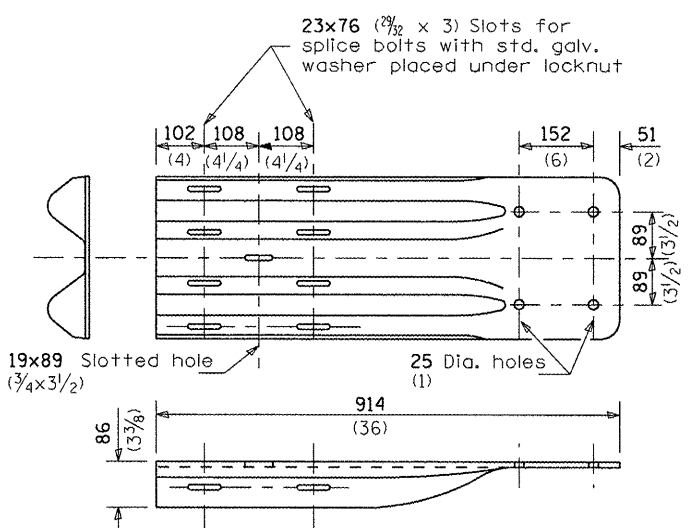
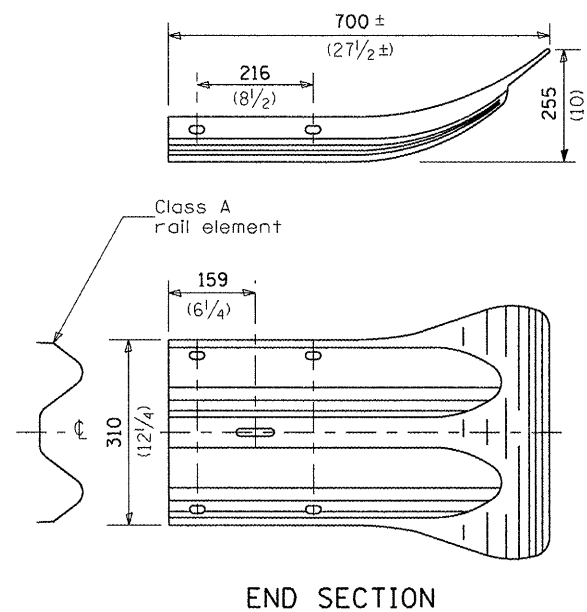
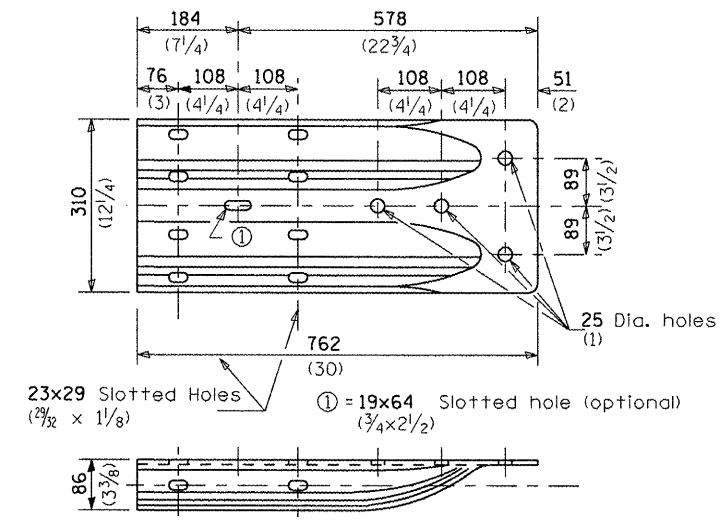


NOTE  
Anchor plate T shall be used to attach cable assembly to guardrail when required on traffic barrier terminals.



NOTE  
When end shoe is attached to a bridge parapet which has an expansion joint, the bolts shall be provided with a locknut or double nut and shall be tightened only to a point that will allow guardrail movement.  
The standard end shoe shall be attached to the concrete with pre-drilled or self-drilling anchor bolts. The anchor cone shall be set flush with the surface of the concrete.  
Externally threaded studs protruding from the surface of the concrete will not be permitted.

**END SHOE**