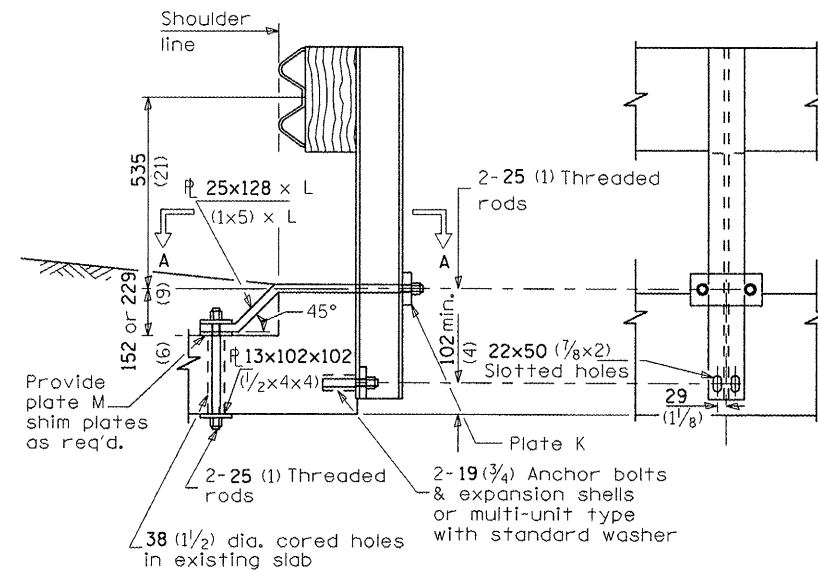
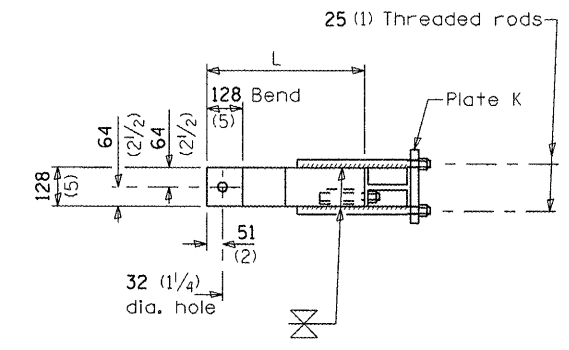


CROSS SECTION
ELEVATION
CONDITION H > 450 (18)



CROSS SECTION
ELEVATION
CASE II
MOUNTED ON TOP HEADWALL
WITH SQUARE TIP



SECTION A-A

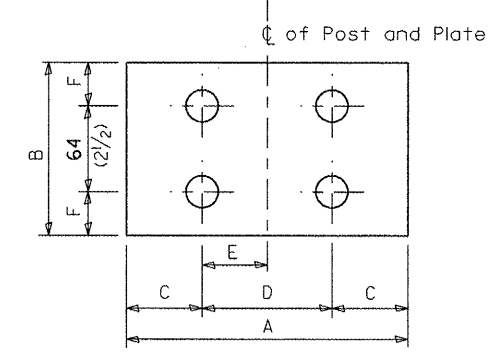
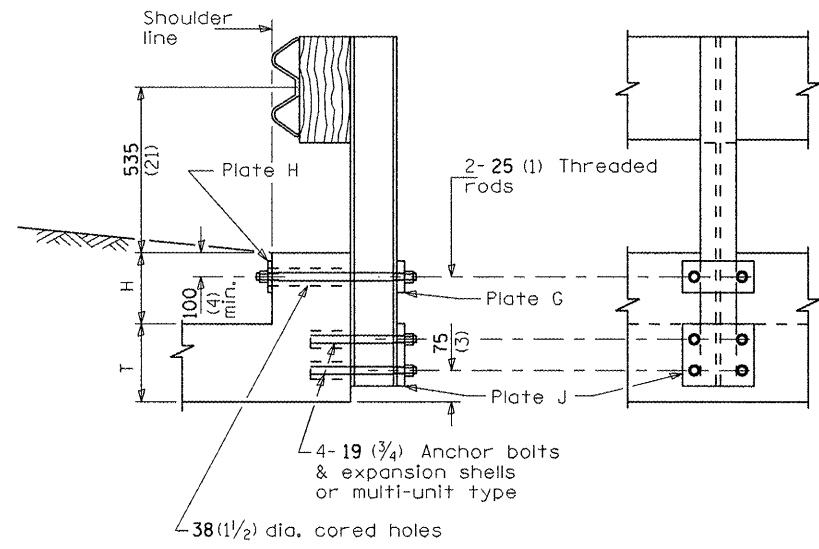


PLATE TYPE J



CROSS SECTION
ELEVATION
CONDITION H < 450 (18) & H+T ≥ 510 (20)

CASE I
MOUNTED ON
RAISED HEADWALL

| PLATE DIMENSIONS | | | | | | | | |
|------------------|---------|---------|------------|---------|--------|------------|------------|------------|
| Type | A | B | C | D | E | F | Hole Dia. | Thick-ness |
| G | 230 (9) | 100 (4) | 40 (1 1/2) | 150 (6) | 75 (3) | 50 (2) | 29 (1 1/8) | 25 (1) |
| H | 230 (9) | 100 (4) | 40 (1 1/2) | 150 (6) | 75 (3) | 50 (2) | 29 (1 1/8) | 13 (1/2) |
| J | 230 (9) | 126 (5) | 40 (1 1/2) | 150 (6) | 75 (3) | 31 (1 1/4) | 22 (7/8) | 25 (1) |
| K | 230 (9) | 100 (4) | 40 (1 1/2) | 150 (6) | 75 (3) | 50 (2) | 29 (1 1/8) | 32 (1 1/4) |
| M | 100 (4) | 100 (4) | 50 (2) | N/A | N/A | 50 (2) | 32 (1 1/8) | 13 (1/2) |

GENERAL NOTES

Except as noted, dimensions and notes specified for case II, III, and IV are the same as specified for case I.

For details of guardrail elements not shown, see Standard 630001.

All threaded rods shall be installed with heavy hex nuts and standard washers.

All dimensions are in millimeters (inches) unless otherwise shown.

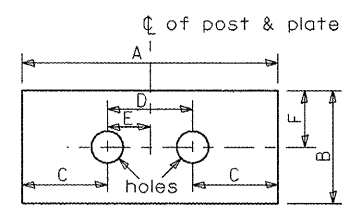


PLATE TYPES G, H & K

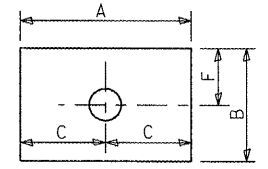


PLATE TYPE M