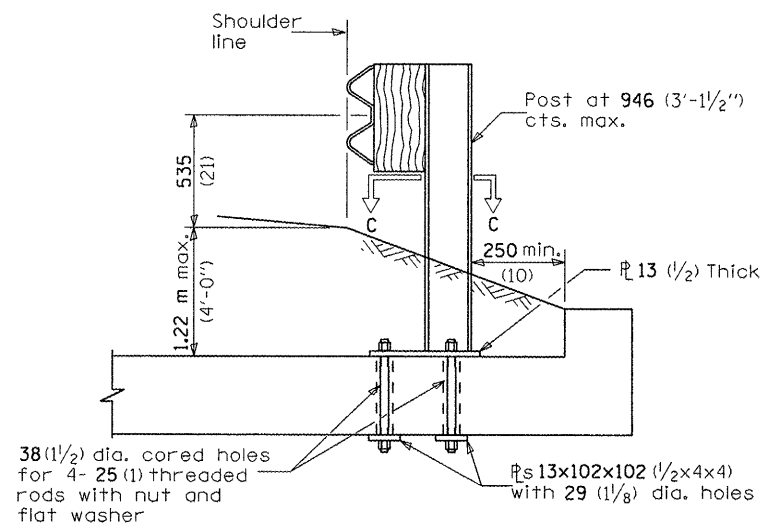
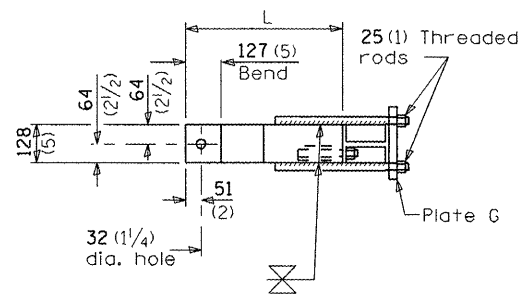


CROSS SECTION

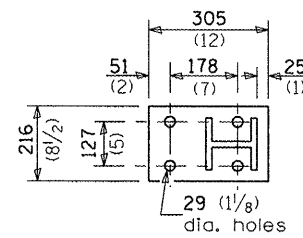
ELEVATION



CROSS SECTION



SECTION B-B



SECTION C-C

**CASE III**  
**MOUNTED ON HEADWALL**  
**WITH CURVED OR DEMOLISHED TIP**

**CASE IV**  
**MOUNTED ON SLAB**

All dimensions are in millimeters (Inches) unless otherwise shown.

FILE NAME = USER NAME = quigleyml DESIGNED - DRAWN - PLOT SCALE = 100.0000 / in. PLOT DATE = 3/26/2012				REVISIONS REVISION NO. DATE BY REVISIONS REVISION NO. DATE BY				<b>STATE OF ILLINOIS</b> <b>DEPARTMENT OF TRANSPORTATION</b>				<b>PRE-MGS EFFECTIVE 4-1-06</b> <b>GUARDRAIL MOUNTED ON EXISTING CULVERTS</b> <b>STANDARD 630101-06</b> (Sheet 2 of 2)				F.A. RTE. VAR.		SECTION VAR.		COUNTY VAR.		TOTAL SHEETS 37		SHEET NO. 22	
SCALE: SHEET NO. OF SHEETS STA. TO STA.										FED. ROAD DIST. NO. ILLINDIS FED. AID PROJECT				CONTRACT NO. 66C18											