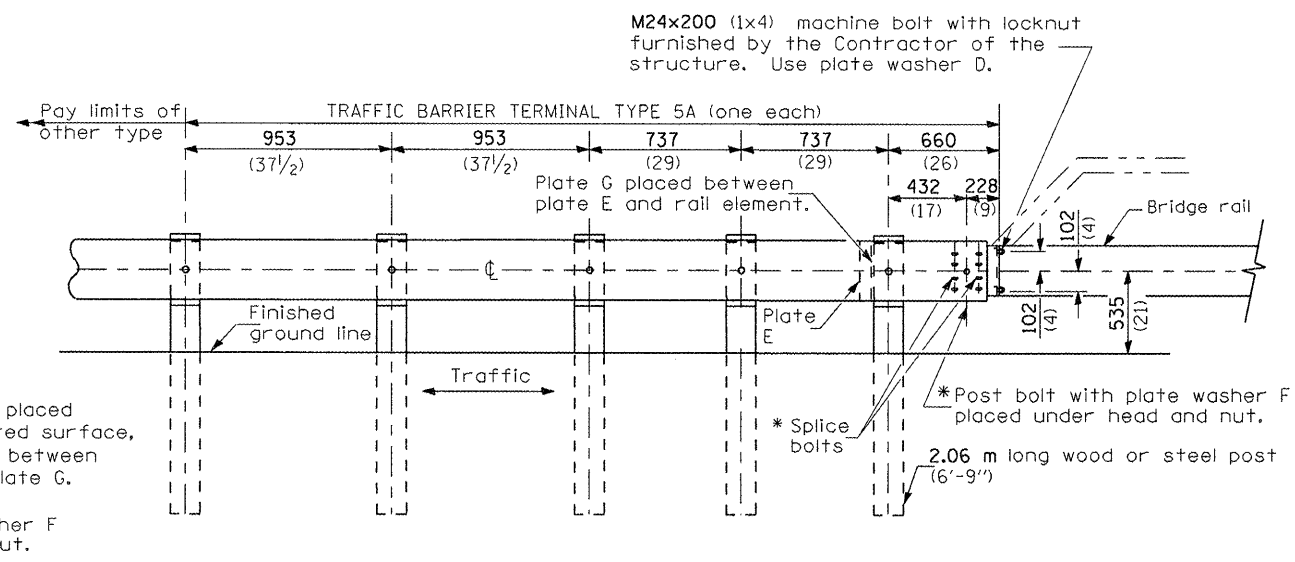


TYPE 5 - CONCRETE BRIDGE PARAPET



TYPE 5A - STEEL BRIDGE RAIL

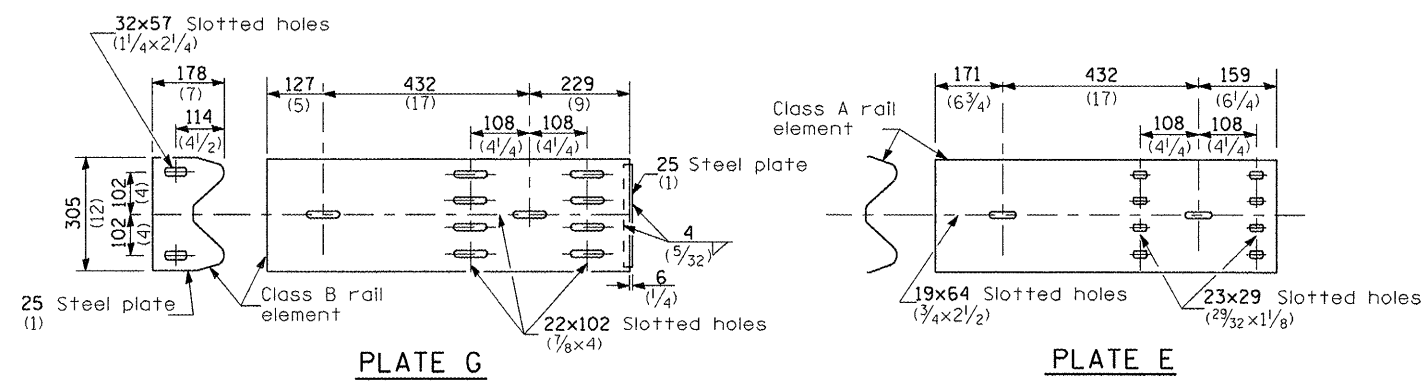
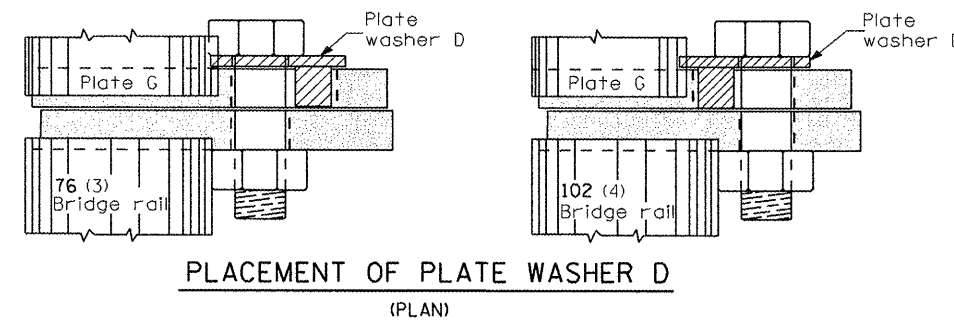


PLATE G

PLATE E



PLACEMENT OF PLATE WASHER D (PLAN)

GENERAL NOTES

Install plate washer D so that the 25 mm (1") projection fills the remainder of the slotted holes in the 25 mm (1") end plate on plate G after the M24 (1") dia. bolts are in place.

* Bolts shall be provided with locknut or double nut and shall be tightened only to a point that will allow plate G to be free to move when an expansion joint exists below the connector.

See Standard 630001 for details of guardrail not shown.

All dimensions are in millimeters (inches) unless otherwise shown.

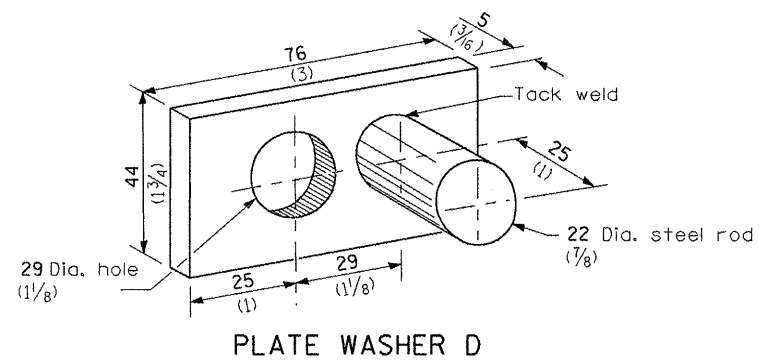
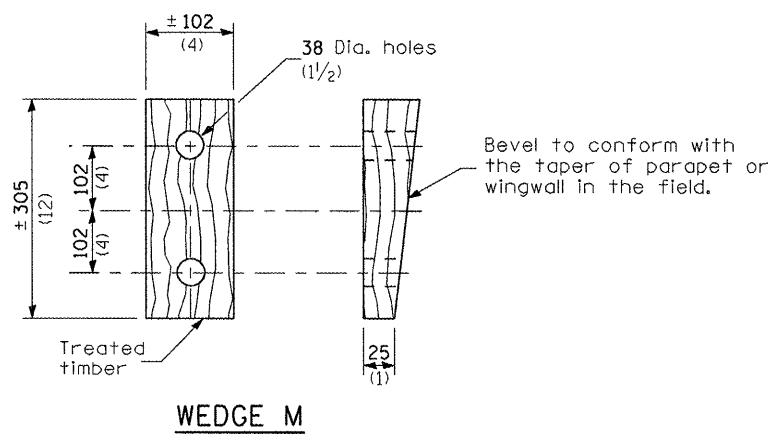


PLATE WASHER D



WEDGE M

<p>FILE NAME = USER NAME = quigleyml DESIGNED - REVISED -</p>				<p>STATE OF ILLINOIS DEPARTMENT OF TRANSPORTATION</p>				<p>PRE-MGS EFFECTIVE 4-1-06 TRAFFIC BARRIER TERMINAL TYPE 5 & 5A STANDARD 631026-02</p>				<p>F.A. RTE. SECTION COUNTY TOTAL SHEETS SHEET NO.</p>	
<p>DRAWN - REVISED -</p>												<p>VAR. * VAR. 37 26</p>	
<p>PLOT SCALE = 100.0000 ' / in. CHECKED - REVISED -</p>												<p>CONTRACT NO. 66C18</p>	
<p>PLOT DATE = 3/26/2012 DATE - REVISED -</p>												<p>FED. ROAD DIST. NO. ILLINOIS FED. AID PROJECT</p>	
<p>SCALE: SHEET NO. OF SHEETS STA. TO STA.</p>						<p>• D-3 HIGHWAY DAMAGE REPAIR 2013</p>							