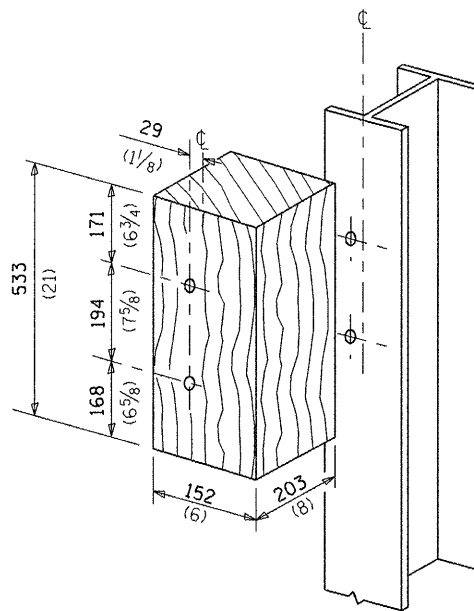
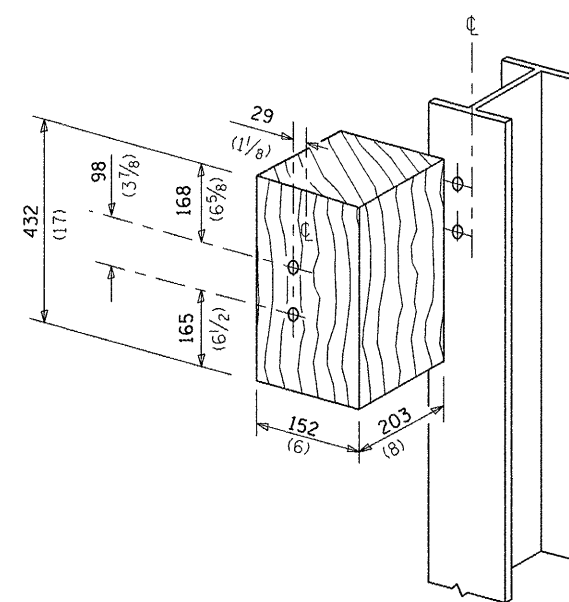


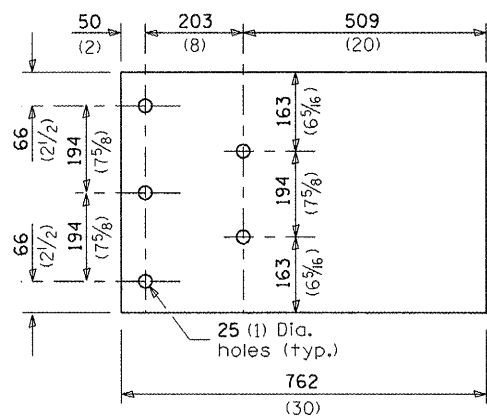
THRIE BEAM END SHOE DETAIL



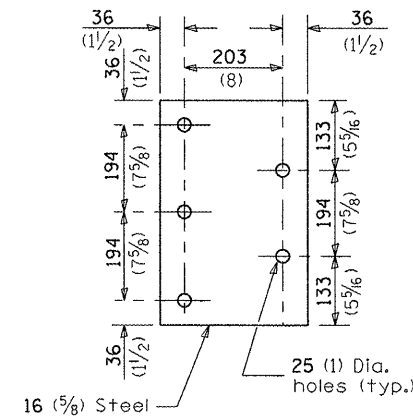
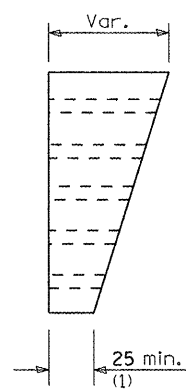
POSTS 1-11 WOOD BLOCKOUT DETAIL



POST 12 WOOD BLOCKOUT DETAIL



PARAPET WOOD BLOCK-OUT DETAIL



PARAPET STEEL BEARING PLATE DETAIL

(5 each individual 125x125x16 (5x5x5/8) steel plates with centered 25 (1) holes may be substituted for the plate shown.)

FILE NAME =	USER NAME = quigleyml	DESIGNED -	REVISED -	STATE OF ILLINOIS DEPARTMENT OF TRANSPORTATION	PRE-MGS EFFECTIVE 4-1-06 TRAFFIC BARRIER TERMINAL, TYPE 6 STANDARD 631031-05	F.A. RTE.	SECTION	COUNTY	TOTAL SHEETS	SHEET NO.
ct:\pw_work\pwidot\quigleyml\d0300564\030518-shd-details.dgn		DRAWN -	REVISED -			VAR.		VAR.	37	29
PLOT SCALE = 100.0000 / / in.		CHECKED -	REVISED -			CONTRACT NO. 66C18				
PLOT DATE = 3/26/2012		DATE -	REVISED -			SCALE:	SHEET NO. OF SHEETS STA. TO STA.	FED. ROAD DIST. NO.	ILLINOIS FED. AID PROJECT	

• D-3 HIGHWAY DAMAGE REPAIR 2013

Sheet 3 of 3