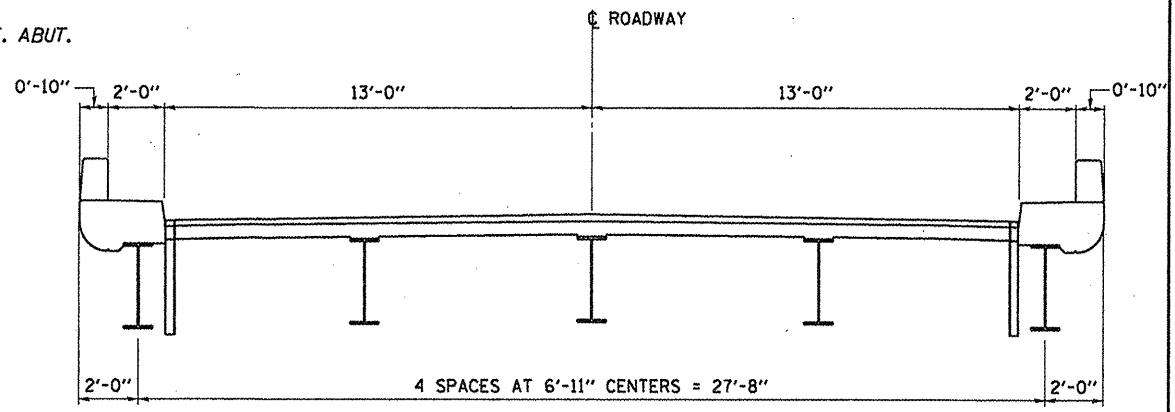
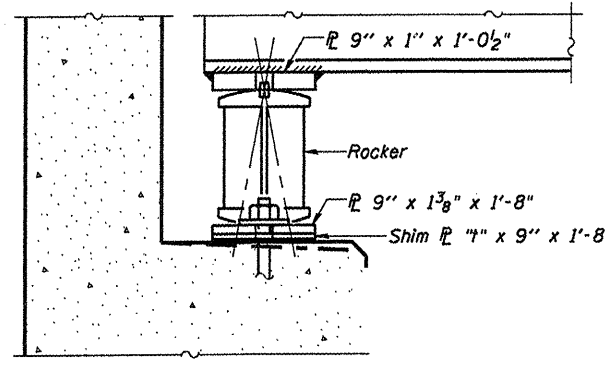


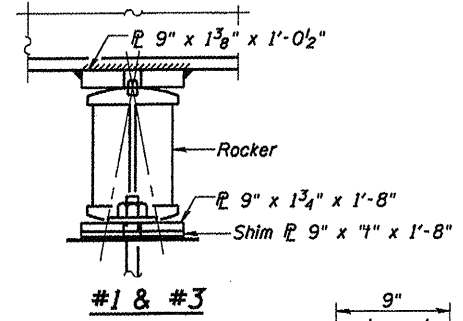
STEEL FRAMING PLAN



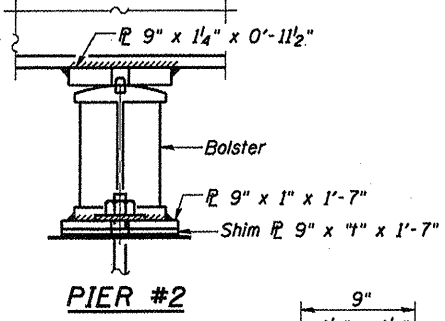
CROSS SECTION



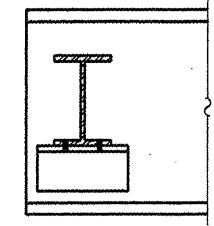
SECTION AT ABUTMENT



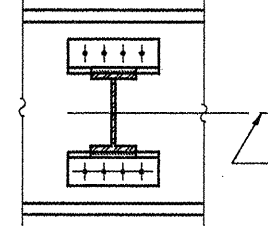
#1 & #3



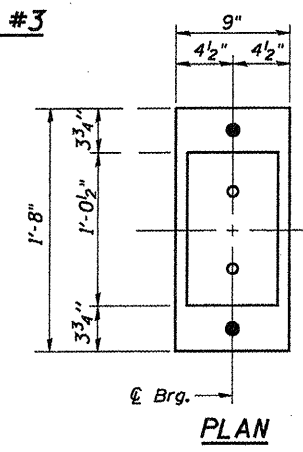
PIER #2



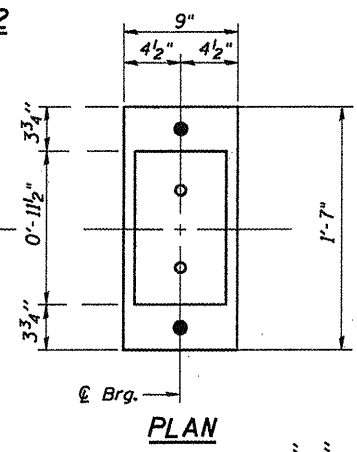
DIAPHRAGM D
8 Required



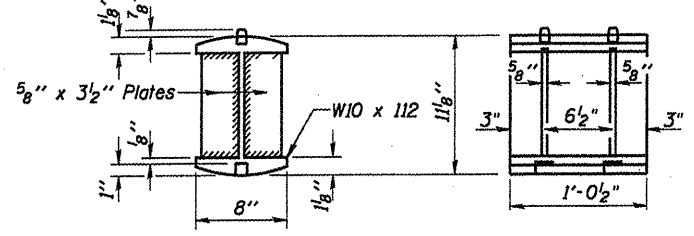
DIAPHRAGM D1 & D2
32-D1 Required
12-D2 Required



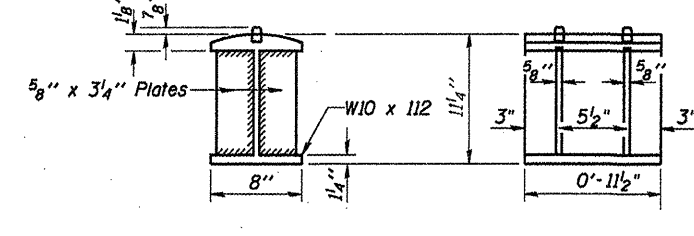
PLAN



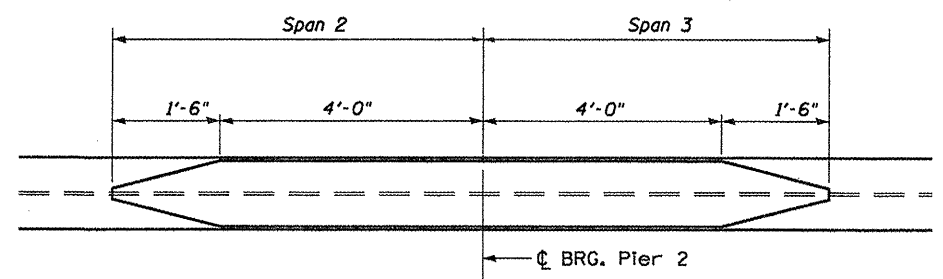
PLAN



DETAIL OF ROCKER AT ABUTS, PIERS 1 & 3

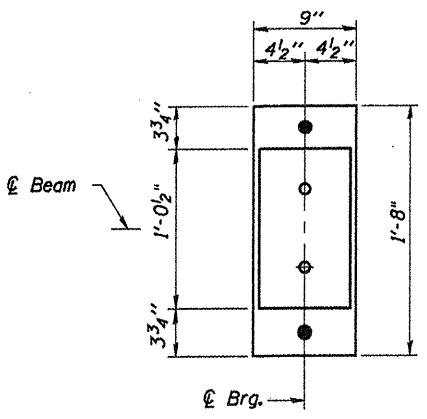


DETAIL OF BOLSTER AT PIER 2



DETAIL OF COVER PLATES

COVER PLATE
9 1/2" x 7/16" x 11'-0"
TOP AND BOTTOM



PLAN

STRUCTURAL STEEL DETAILS

SN 038-0086
OVER FAI 57
SECTION (38-5HB)BP
IROQUOIS COUNTY
STA. 541 + 66.36

FILE NAME =	USER NAME = spurlookd
al:\pwork\puidot\spurlookd\0382743\03828-shd-details.dgn	
PLOT SCALE = 100.0000 / 1"	
PLOT DATE = 3/30/2012	

DESIGNED - DBS	REVISED -
DRAWN - DBS	REVISED -
CHECKED -	REVISED -
DATE - MARCH 2012	REVISED -

STATE OF ILLINOIS	DEPARTMENT OF TRANSPORTATION
-------------------	------------------------------

STRUCTURAL STEEL DETAILS FOR SN 038-0086	
SCALE:	SHEET NO. 2 OF 2 SHEETS STA. TO STA.

F.A.I. RTE. 57	SECTION (38-5HB)BP	COUNTY IROQUOIS	TOTAL SHEETS 10	SHEET NO. 10
			CONTRACT NO. 66C20	
ILLINOIS FED. AID PROJECT				