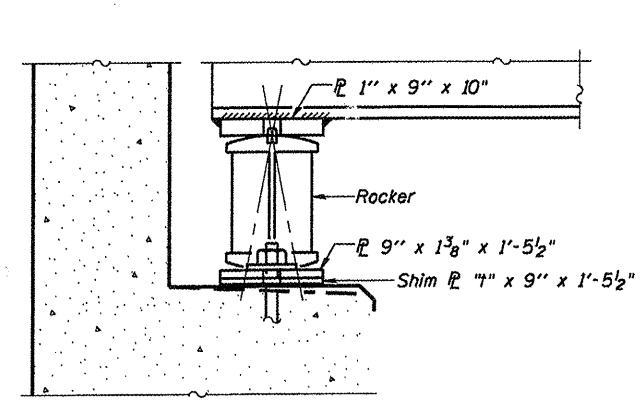
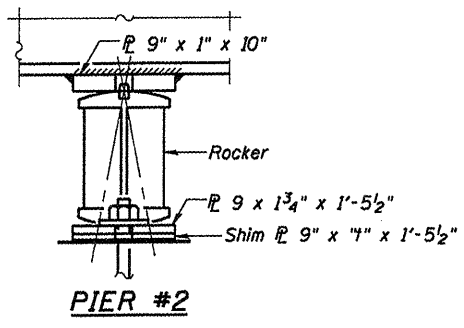


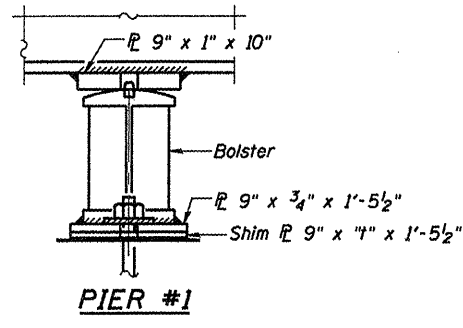
STRUCTURAL STEEL LAYOUT



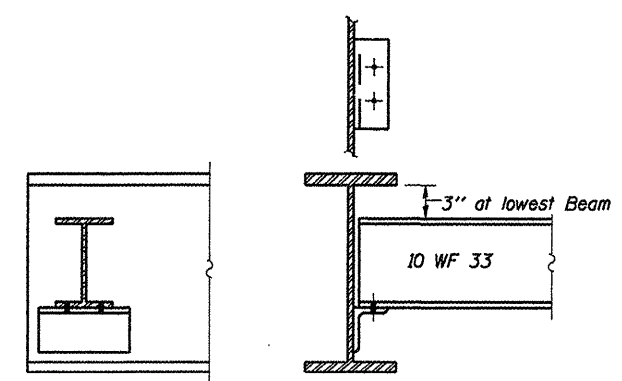
SECTION AT ABUTMENT



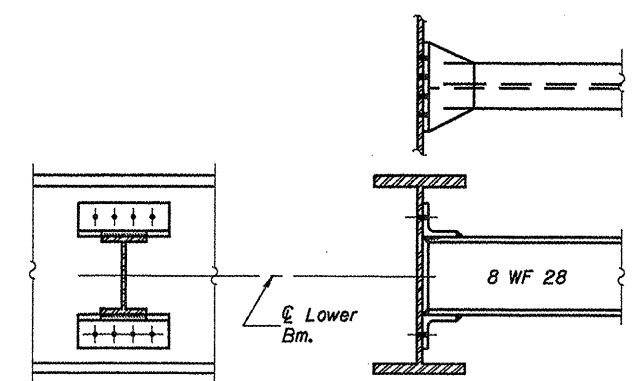
PIER #2



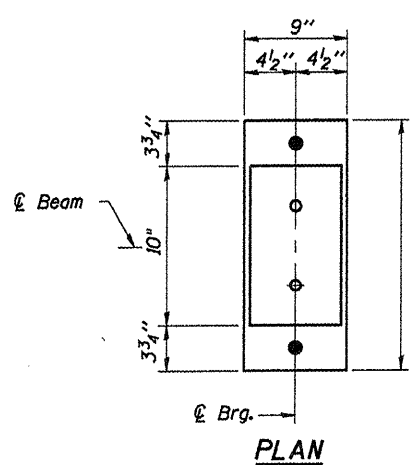
PIER #1



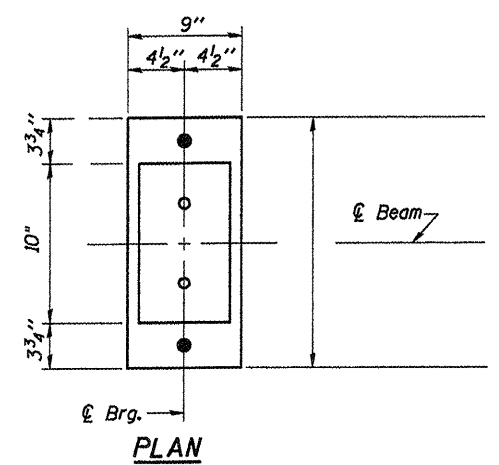
DIAPHRAGM D
24 Required



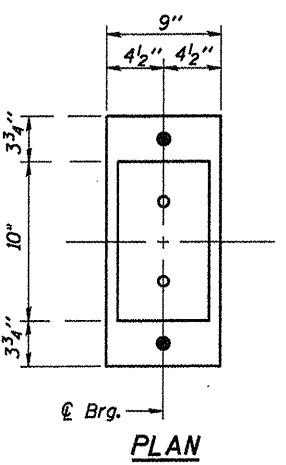
DIAPHRAGM D1 & D2
36-D1 Required
24-D2 Required



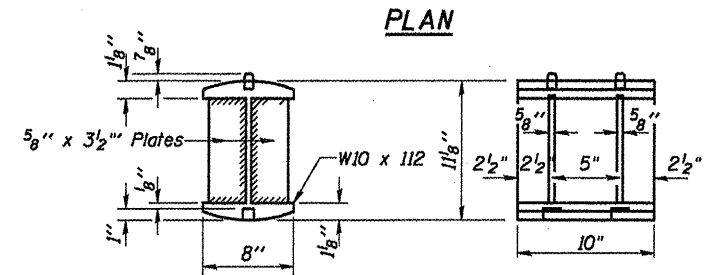
PLAN



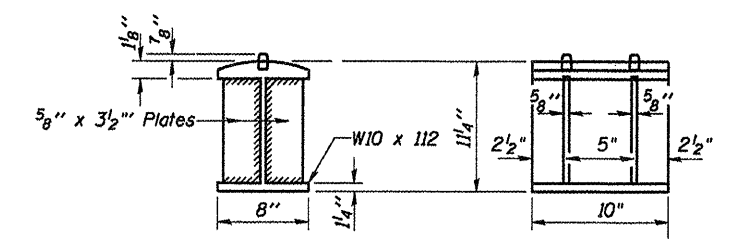
PLAN



PLAN



DETAIL OF ROCKER AT ABUTS. PIER 2



DETAIL OF BOLSTER AT PIER 1

THIS SHEET FOR INFORMATION ONLY

FILE NAME =	USER NAME = petelyj	DESIGNED -	REVISED -	STATE OF ILLINOIS DEPARTMENT OF TRANSPORTATION	STRUCTURAL STEEL DETAILS FOR SN 038-0007 & SN 038-0008	F.A.I. RTE.	SECTION	COUNTY	TOTAL SHEETS	SHEET NO.	
c:\pwwork\pawid\petelyj\0382605\0386028-shr-detail.dgn	PLOT SCALE = 100.0000' / in.	DRAWN -	REVISED -			57	(38-5HB-1)BP	IROQUOIS	10	10	
PLOT DATE = 3/30/2012	DATE -	CHECKED -	REVISED -			CONTRACT NO. 66C28					
		DATE -	REVISED -			ILLINOIS FED. AID PROJECT					