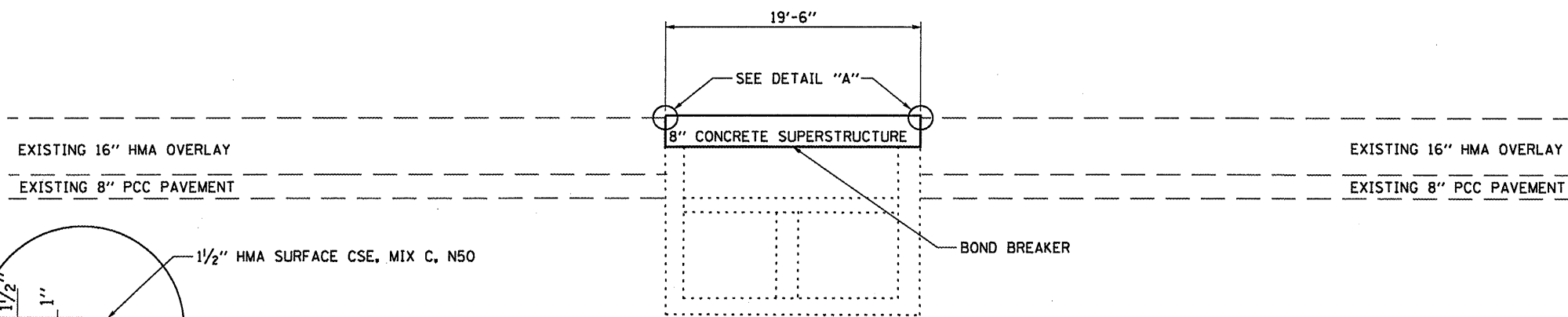


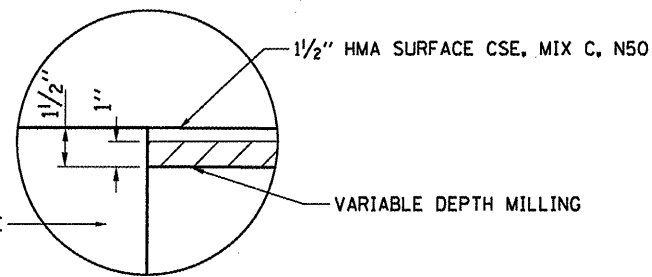
PLAN

SN 027-2524

REMOVE EXISTING GUARDRAIL ATTACHED TO STRUCTURE AND INSTALL NEW STEEL PLATE BEAM GUARDRAIL, ATTACHED TO STRUCTURE



SECTION A-A



DETAIL "A"

FILE NAME =	USER NAME = petelyj	DESIGNED - R.W.	REVISED -
ci:\pwork\pwidat\petelyj\d0303935\0366029-shr-ALL SHEETS.dgn		DRAWN - R.W.	REVISED -
PLOT SCALE = 100.0000' / 1in.		CHECKED -	REVISED -
PLOT DATE = 4/5/2012		DATE -	REVISED -

STATE OF ILLINOIS
DEPARTMENT OF TRANSPORTATION

ROADWAY DETAILS

SCALE: SHEET 1 OF 1 SHEETS STA. TO STA.

F.A.P. RTE.	SECTION	COUNTY	TOTAL SHEETS	SHEET NO.
326	(126C)1	FORD	9	7
CONTRACT NO. 66C29				
ILLINOIS FED. AID PROJECT				