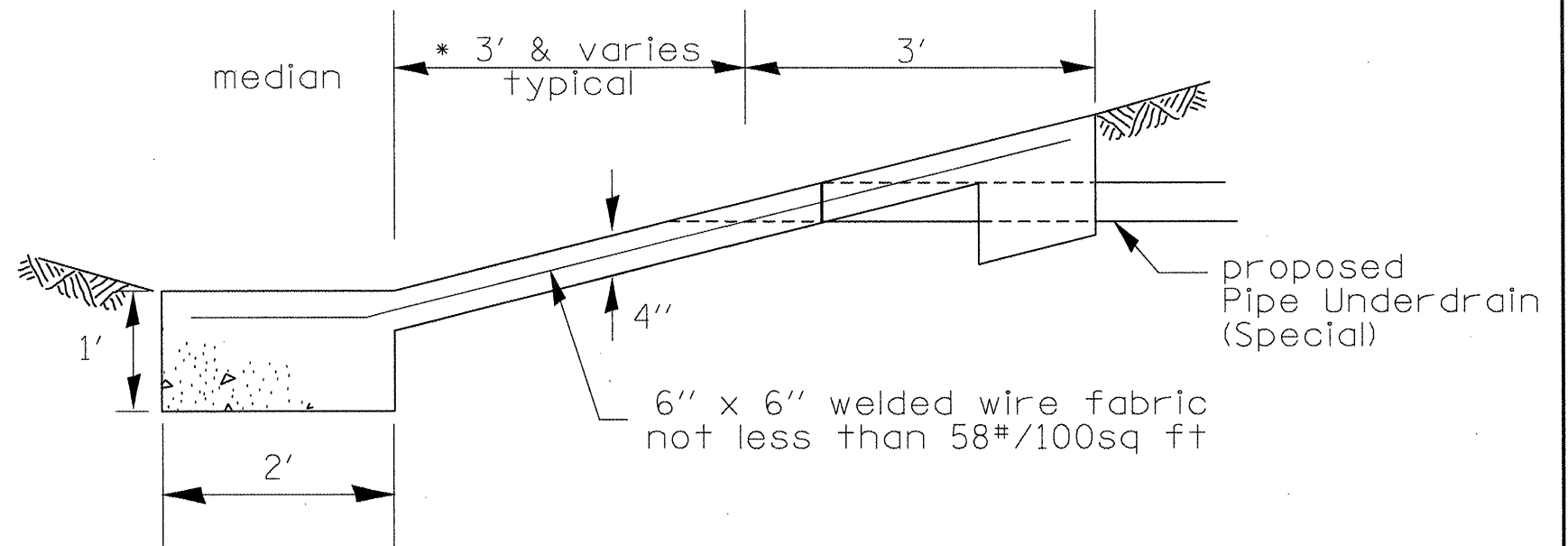
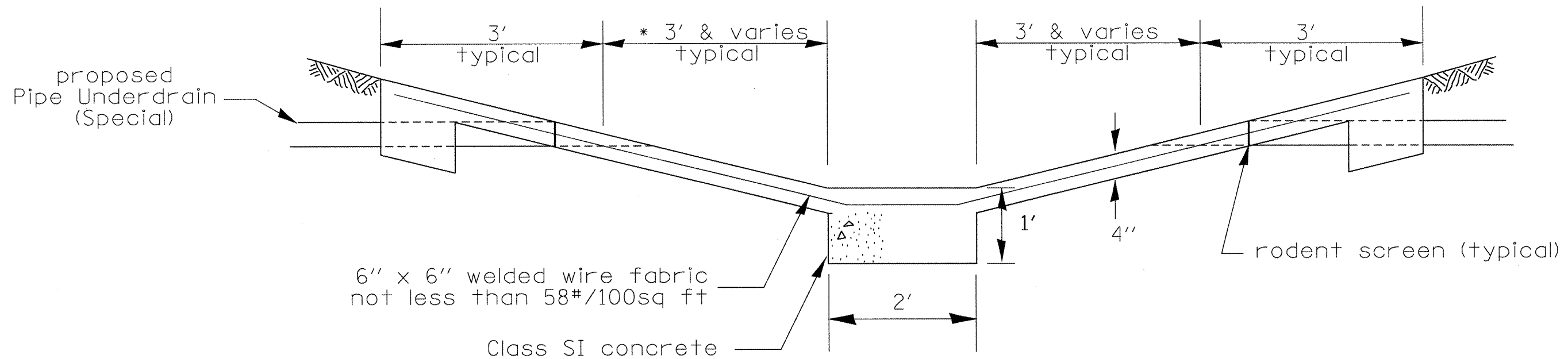


* Varies at all locations where the outlet is within 3 feet of the ditch flow line.



Type II



Type III

FILE NAME = D468A38-shr-plan.dgn	USER NAME = cousin.js	DESIGNED -	REVISED -	STATE OF ILLINOIS DEPARTMENT OF TRANSPORTATION	OUTLET SPECIAL TYPE II & III DETAILS			F.A.P. RTE. 318	SECTION (72-6)R	COUNTY PEORIA	TOTAL SHEETS 117	SHEET NO. 53
	PLOT SCALE = 100,0000' / in.	DRAWN -	REVISED -		SCALE:	SHEET NO.	OF	SHEETS	STA. ____ TO STA. ____	CONTRACT NO. 68A30		
	PLOT DATE = 3/13/2012	CHECKED -	REVISED -		ILLINOIS FED. AID PROJECT							
		DATE -	REVISED -									