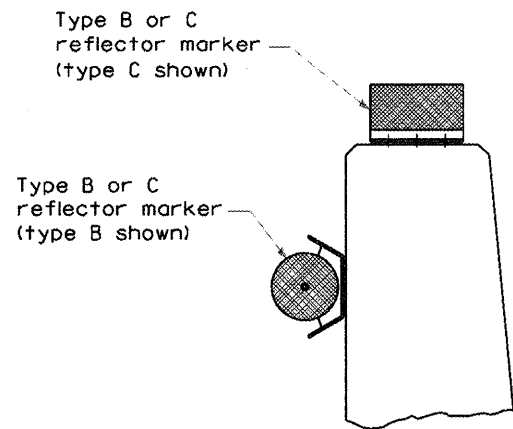
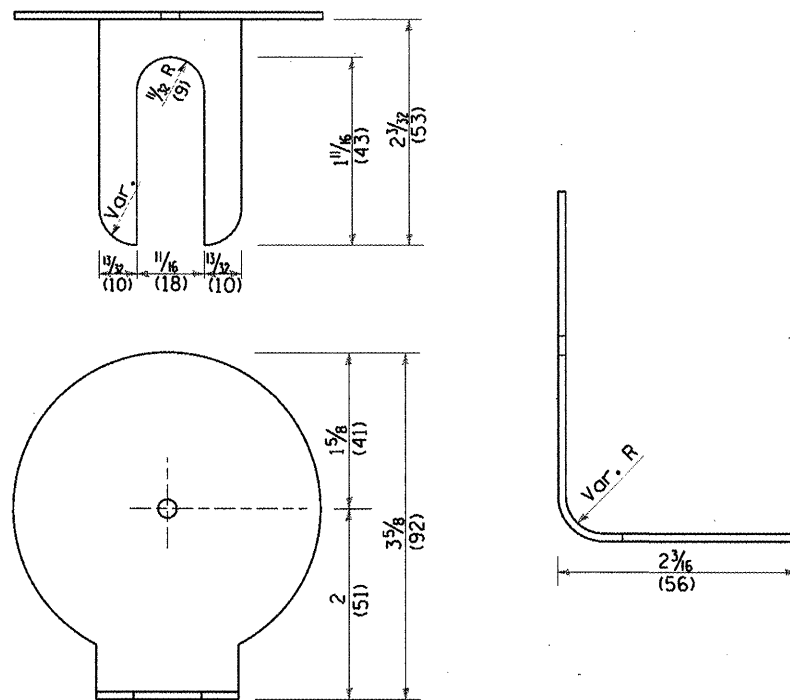


TYPICAL MOUNTING DETAIL FOR BRIDGE RAIL REFLECTOR



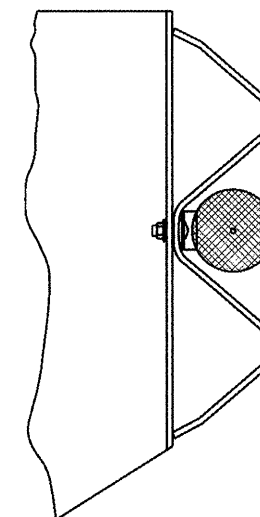
TYPICAL MOUNTING DETAIL FOR BARRIER WALL REFLECTOR

REFLECTOR MOUNTING

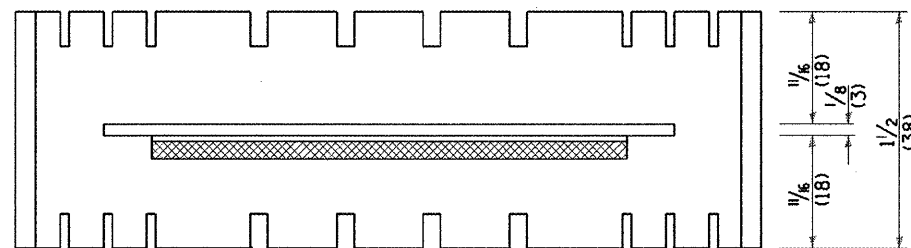


REFLECTOR MARKER TYPE A

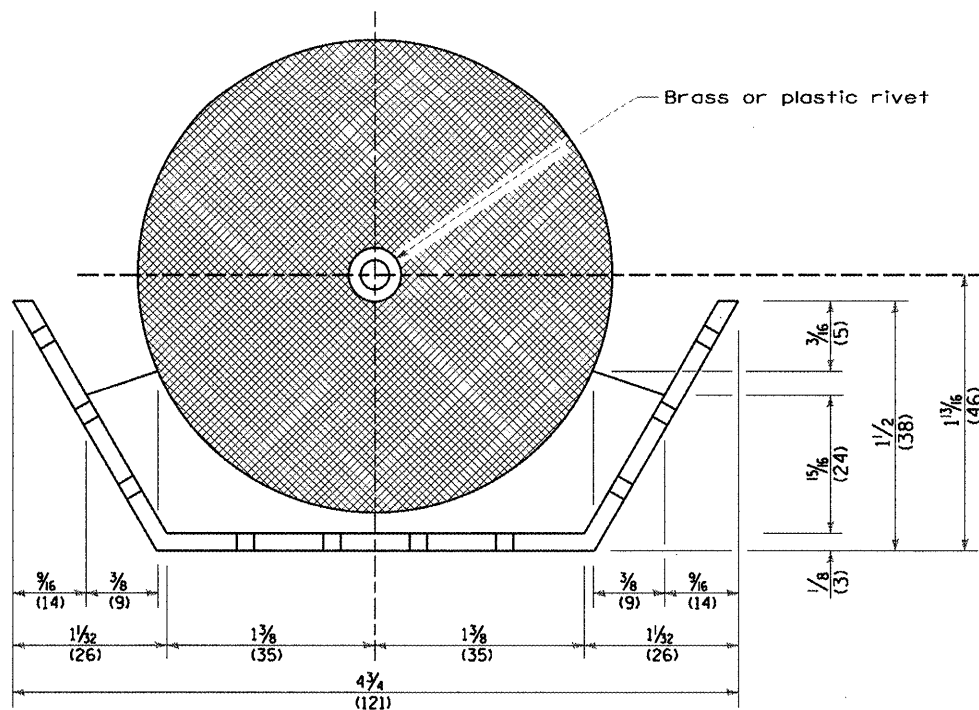
Min. reflective area 6 1/2 sq. in. (4,194 mm²) each side. May be rectangular or slight trapezoid.



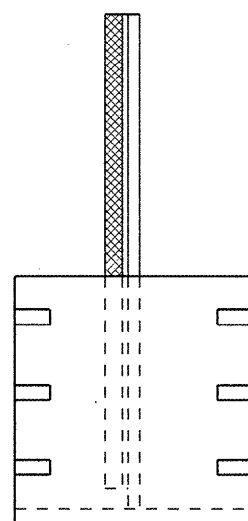
TYPICAL GUARDRAIL MOUNTING WITH REFLECTOR MARKER TYPE A



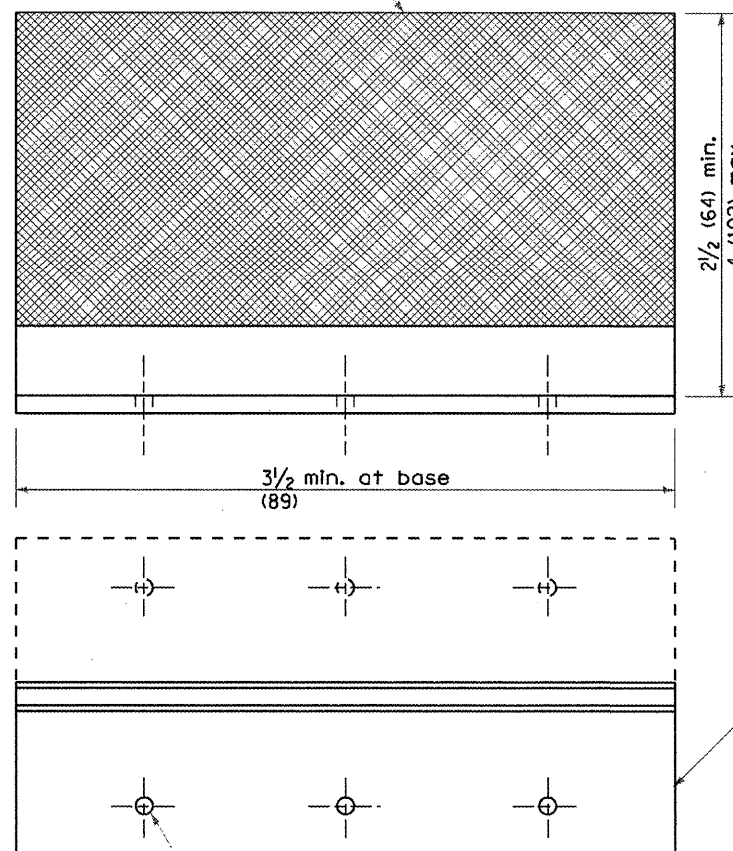
Adhesive weep slots or holes equally spaced on both sides



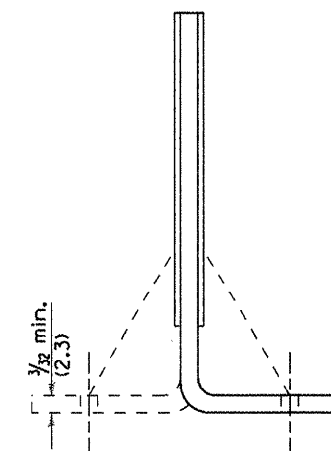
REFLECTOR MARKER TYPE B



3 min. adhesive weep holes or slots each side, variable spacing.



REFLECTOR MARKER TYPE C



Cross section may be "T" or "L" shaped and may have side supports at ends.

REFLECTORS

All dimensions are in inches (millimeters) unless otherwise noted.

| | | | | | |
|--|--|--|--|--|--|
| | | | | | |
|--|--|--|--|--|--|

STATE OF ILLINOIS
DEPARTMENT OF TRANSPORTATION

GUARDRAIL AND BARRIER WALL DELINEATION
NOT TO SCALE

| | | | | |
|---------------------------|---|---------|--------------------|-----------|
| F.A. RTE. | SECTION | COUNTY | TOTAL SHEETS | SHEET NO. |
| VAR. | DISTRICT 4/5 GUARDRAIL AND BARRIER WALL | VARIOUS | 38 | 11 |
| FED. ROAD DIST. NO. | | | CONTRACT NO. 68A96 | |
| ILLINOIS FED. AID PROJECT | | | | |

SHT. 3 OF 3
CADD STD. 635101-D4