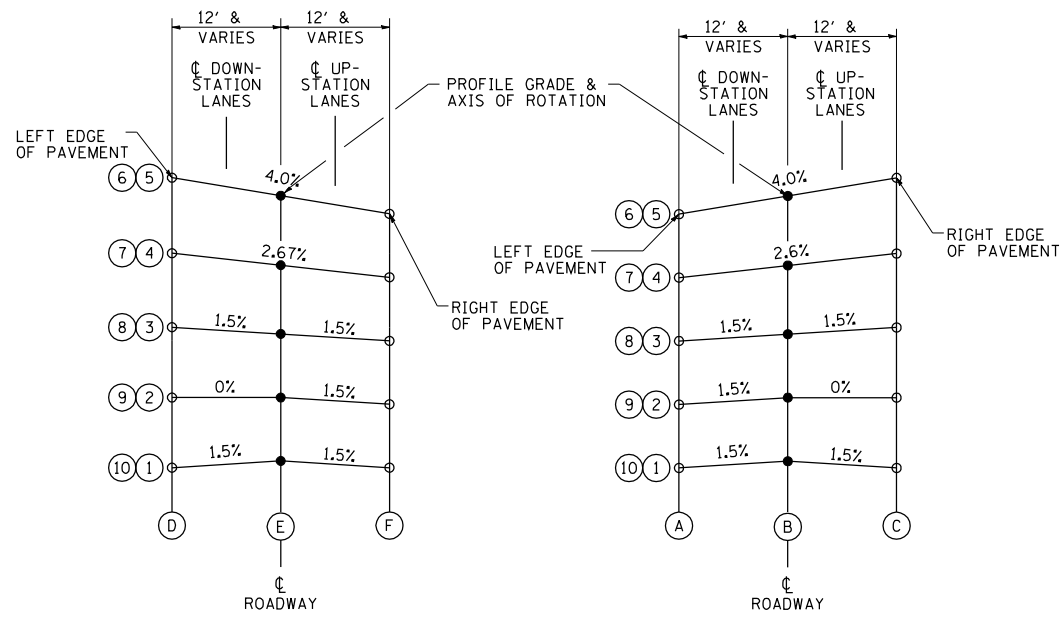
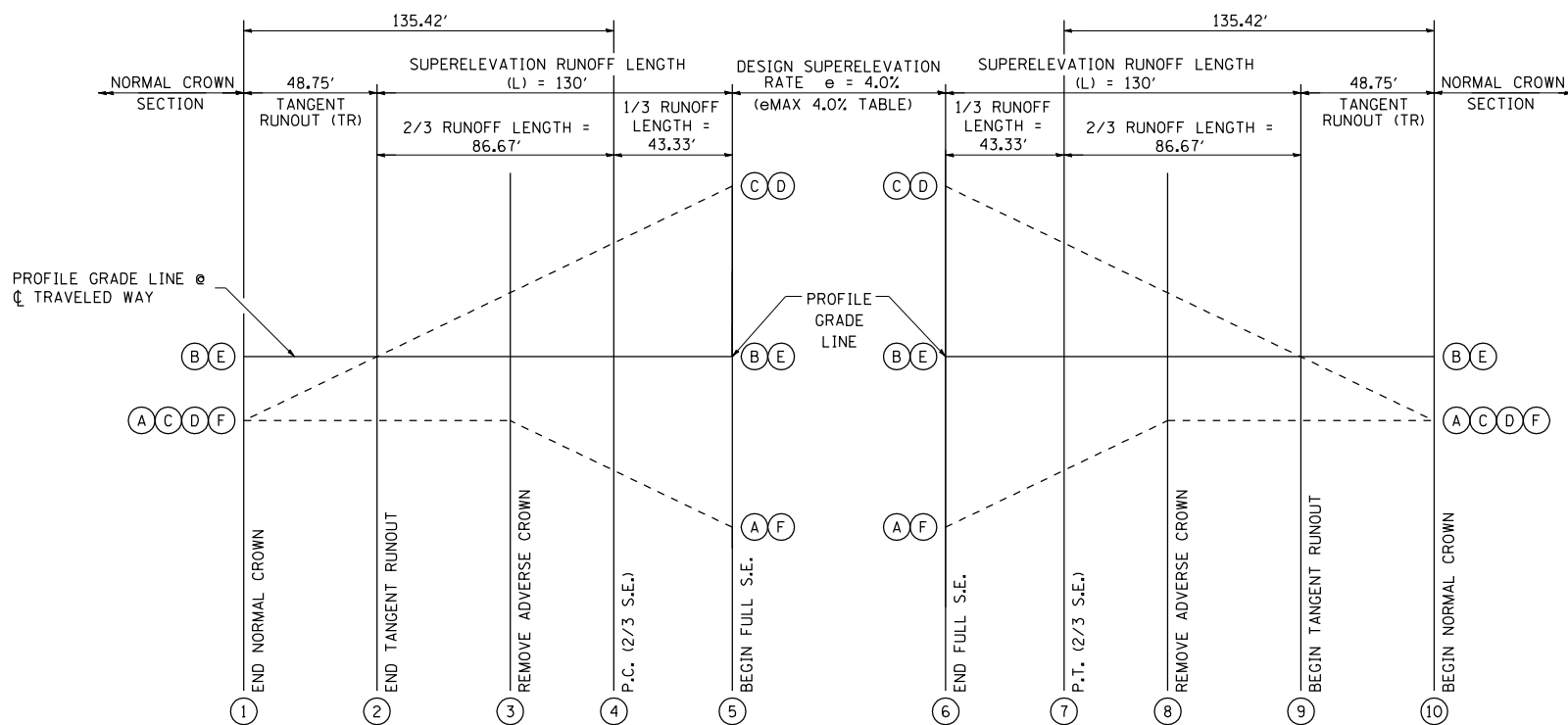


F.A. RTE.	SECTION	COUNTY	TOTAL SHEETS	SHEET NO.
75	84-12; 11-3		729	369

STA. N/A TO STA. N/A
 FED. ROAD DIST. NO. 5 | ILLINOIS | FED. AID PROJECT
 • SANGAMON AND CHRISTIAN

STANDARD COUNTY HIGHWAY CURVES



STANDARD CURVE RIGHT

STANDARD CURVE LEFT

REVISIONS	
NAME	DATE

ILLINOIS DEPARTMENT OF TRANSPORTATION
**SUPERELEVATION TRANSITION
 DETAILS
 SIDE ROADS**

SCALE: NOT TO SCALE DRAWN BY: J.M.M.
 DATE: 03/06/2012 CHECKED BY: J.M.M.

Default: L:\DOT\0306601\draw\draw\sheet\03\06\01\draw\0306601\draw\0306601.dgn
 3/6/2012