

F.A.P. RTE.	SECTION	COUNTY	TOTAL SHEETS	SHEET NO.
75	84-12; 11-3	*	729	444
STA.	N/A	TO STA.	N/A	
FED. ROAD DIST. NO. 5 ILLINOIS FED. AID PROJECT				
* SANGAMON AND CHRISTIAN				

GENERAL NOTES

- ALL PROPOSED LIGHTING UNITS SHALL BE LABELED ACCORDING TO THE STANDARD SPECIFICATIONS, WITH POLE NUMBERS ATTACHED WITH STAINLESS STEEL BANDING. LIGHTING UNIT NUMBERING SHALL BE AS DIRECTED BY THE ENGINEER.
- CONTRACTOR SHALL BE RESPONSIBLE TO COORDINATE ELECTRICAL WORK WITH OTHER TRADES.
- LIGHT POLE FOUNDATIONS SHALL BE INSTALLED PLUMB AND FLUSH WITH THE PROPOSED GRADE AND SHALL MEET THE HEIGHT REQUIREMENTS OF ARTICLE 836.03 OF THE STANDARD SPECIFICATIONS. AFTER UNIT DUCT IS INSTALLED, FOUNDATIONS SHALL BE FILLED WITH FINE AGGREGATE ACCORDING TO ARTICLE 836.03. WASHERS USED TO INSTALL THE POLE SHALL BE LARGE ENOUGH TO FULLY COVER THE SLOTTED HOLES IN THE POLE BASE PLATE.
- CONTRACTOR SHALL INSTALL LIGHT POLES AT THE LOCATIONS INDICATED ON THE PLANS, MAINTAINING ADEQUATE CLEARANCE FROM UTILITY LINES. CONTRACTOR SHALL BE RESPONSIBLE TO VERIFY CLEARANCES PER THE NATIONAL ELECTRICAL SAFETY CODE AND/OR THE REQUIREMENTS OF THE UTILITY COMPANIES. THE LOCATION OF BURIED AND ABOVE GROUND UTILITIES SHOWN ARE APPROXIMATE AND ARE SHOWN FOR INFORMATION ONLY. REROUTING, DISCONNECTION, RELOCATION, PROTECTION ETC., OF ANY UTILITIES MUST BE COORDINATED BETWEEN THE CONTRACTOR, UTILITY COMPANY, AND OWNER. THE CONTRACTOR SHALL VERIFY THE EXACT LOCATION OF ALL UNDERGROUND UTILITIES PRIOR TO CONSTRUCTION.
- THE CONTRACTOR IS RESPONSIBLE FOR UNCOVERING OR HAND DIGGING AROUND UTILITIES AS NECESSARY. THE COST OF THIS WORK IS TO BE INCLUDED WITH THE "UNDERGROUND CONDUIT, COILABLE NONMETALLIC CONDUIT, 2 1/2" DIA." AND "UNIT DUCT, 600V, 2-1C NO.8, 1/C NO.8 GROUND, (XLP-TYPE USE), 3/4" DIA. POLYETHYLENE" PAY ITEMS.
- THE CONTRACTOR SHALL PROVIDE AND INSTALL A CONCRETE WORK PAD IN FRONT OF THE LIGHTING CONTROLLER PER SECTION 825 OF THE STANDARD SPECIFICATIONS.
- INSTALL HORIZONTAL MOUNT LUMINAIRES PERPENDICULAR TO THE CENTERLINE OF THE ROADWAY AS REQUIRED BY ARTICLE 821.04 OF THE STANDARD SPECIFICATIONS.
- UNDERGROUND CONDUIT, COILABLE NONMETALLIC CONDUIT, 2 1/2" DIA. SHALL BE SCHEDULE 80 AS NOTED IN THE PLANS.

**ILLINOIS DEPARTMENT OF TRANSPORTATION
250W LUMINAIRE PERFORMANCE TABLE**

GIVEN CONDITIONS	
ROADWAY DATA:	
Pavement Width	48 FT
Number Of Lanes	4
Median Width	N/A
IES Surface Classification	R3
Q-Zero Value	.07
LIGHT POLE DATA:	
Mounting Height	45 FT
Mast Arm Length	15 FT
Pole Set-Back From Edge Of Pavement	15 FT
LUMINAIRE DATA:	
Lamp Type	HPS
Lamp Lumens	28,500
IES Vertical Distribution	M
IES Control Of Distribution	FC
IES Lateral Distribution	3
Total Light Loss Factor	0.684
LAYOUT DATA:	
Spacing	145 FT
Configuration	Single Sided
Luminaire Overhang Over Edge Of Pavement Lane	0 FT

NOTE: Variations from the above specified IES distribution pattern may be requested and acceptance of variations will be subject to review by the Engineer based on how well the performance requirements are met.

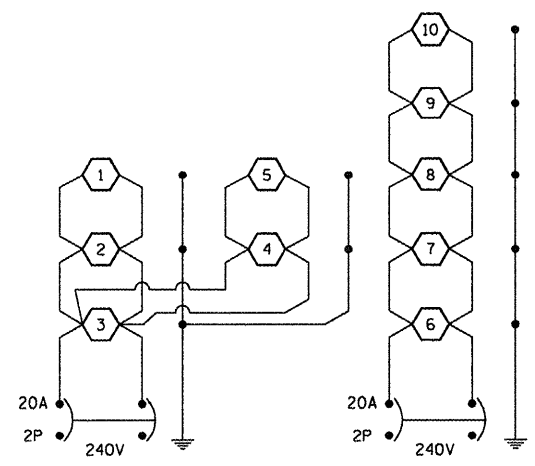
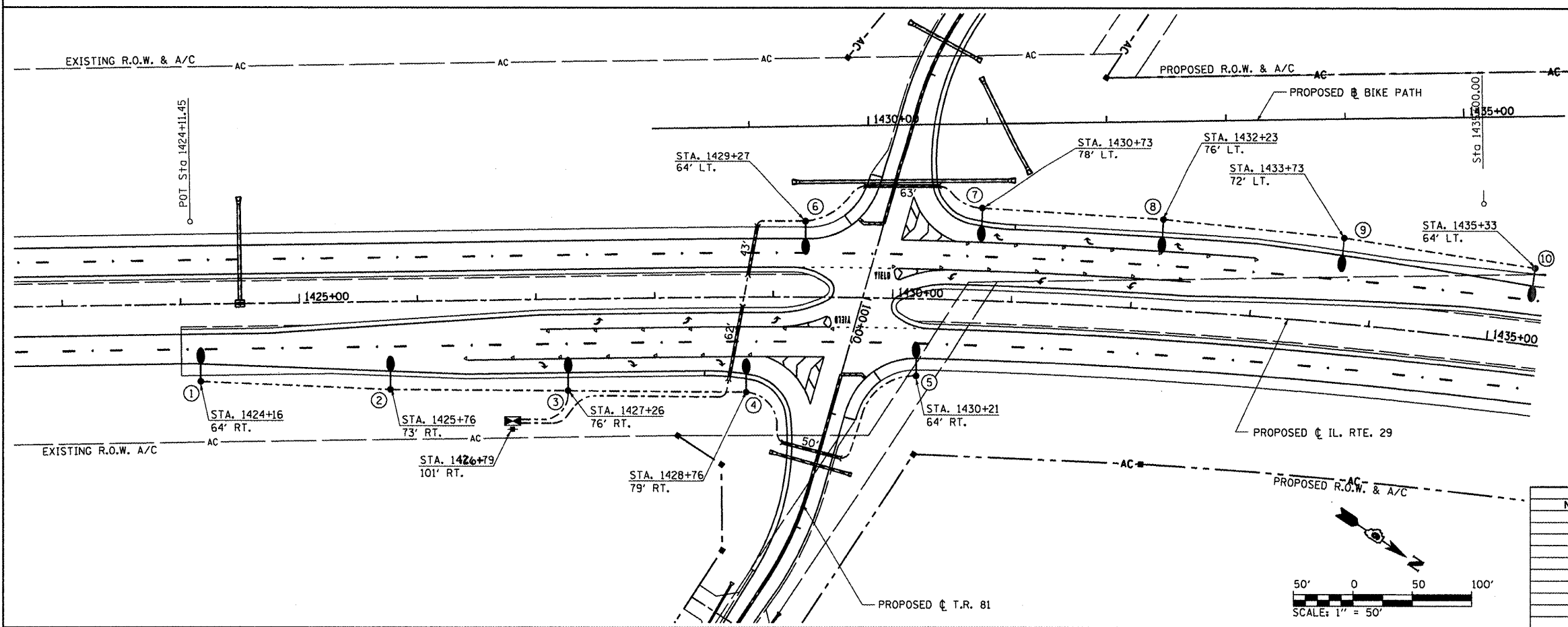
PERFORMANCE REQUIREMENTS

NOTE: These performance requirements shall be the minimum acceptable standards of photometric performance for the luminaire, based on the given conditions listed above.

ILLUMINATION:	Average Horizontal Illumination, (E _{Ave})	0.9 fc
	Uniformity Ratio, (E _{Min} /E _{Ave})	3.0
LUMINANCE:	Average Luminance: (L _{Ave})	0.6 Cd/m ²
	Uniformity Ratios: (L _{Min} /L _{Ave})	3.5
	(L _{Max} /L _{Ave})	6.0
	Maximum Veiling Luminance Ratio: (L _v /L _{Ave})	0.30

LEGEND

- LIGHT POLE, ALUMINUM, 45 FT. M.H., 15 FT. DAVIT ARM WITH LUMINAIRE, SODIUM VAPOR, HORIZONTAL MOUNT. 250 WATT, WITH BREAKAWAY COUPLINGS.
- ELECTRIC SERVICE INSTALLATION, 120/240V, 1 PHASE, 4 WIRE
- LIGHTING CONTROLLER, POLE MOUNTED, 240V, 60A
- UNIT DUCT, 600V, 2-1C NO. 8, 1/C NO. 8 GROUND (XLP TYPE USE), 3/4" DIA. POLYETHYLENE
- UNDERGROUND CONDUIT, COILABLE NONMETALLIC CONDUIT, 2 1/2" DIA. (SCHEDULE 80), UNLESS NOTED OTHERWISE



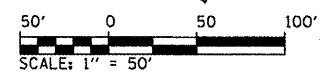
REVISIONS	
NAME	DATE

ILLINOIS DEPARTMENT OF TRANSPORTATION

**LIGHTING PLAN
ILLINOIS RTE. 29 & TR 81**

SCALE: 1" = 50'
DATE: 03/06/2012

DRAWN BY: IDOT
CHECKED BY: J.M.M.



Default: \\006601\crow\shewers\0572829-sh1-LIGHT-PR-001.dgn 3/16/2012