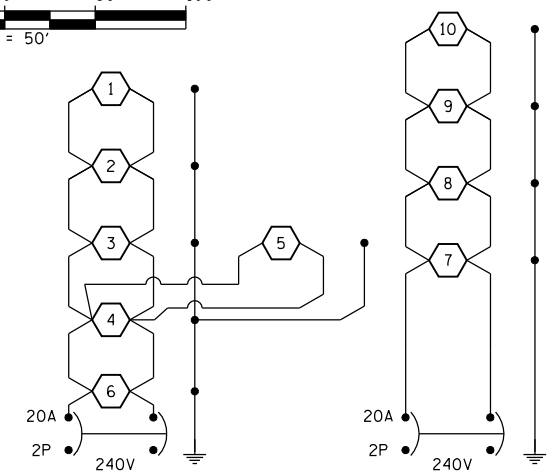
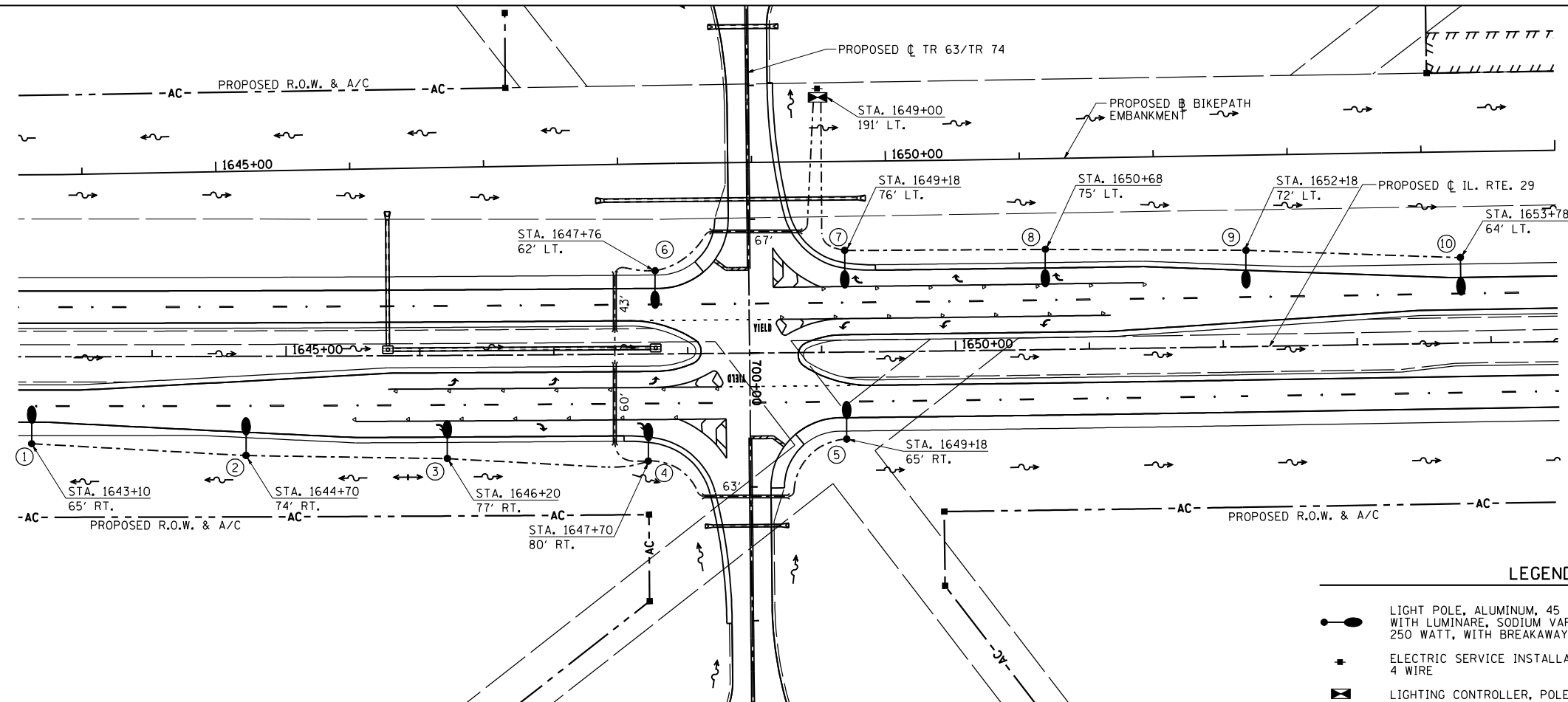
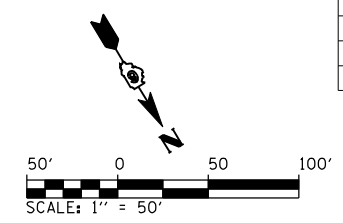


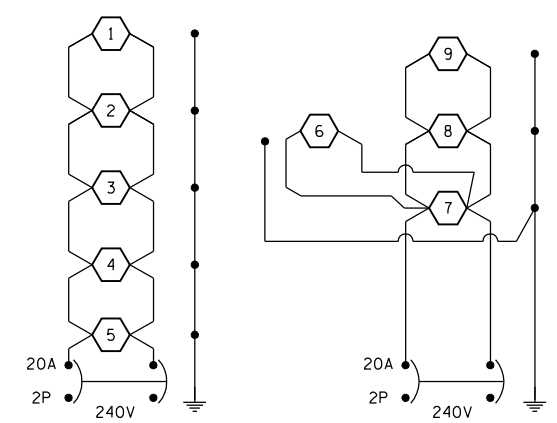
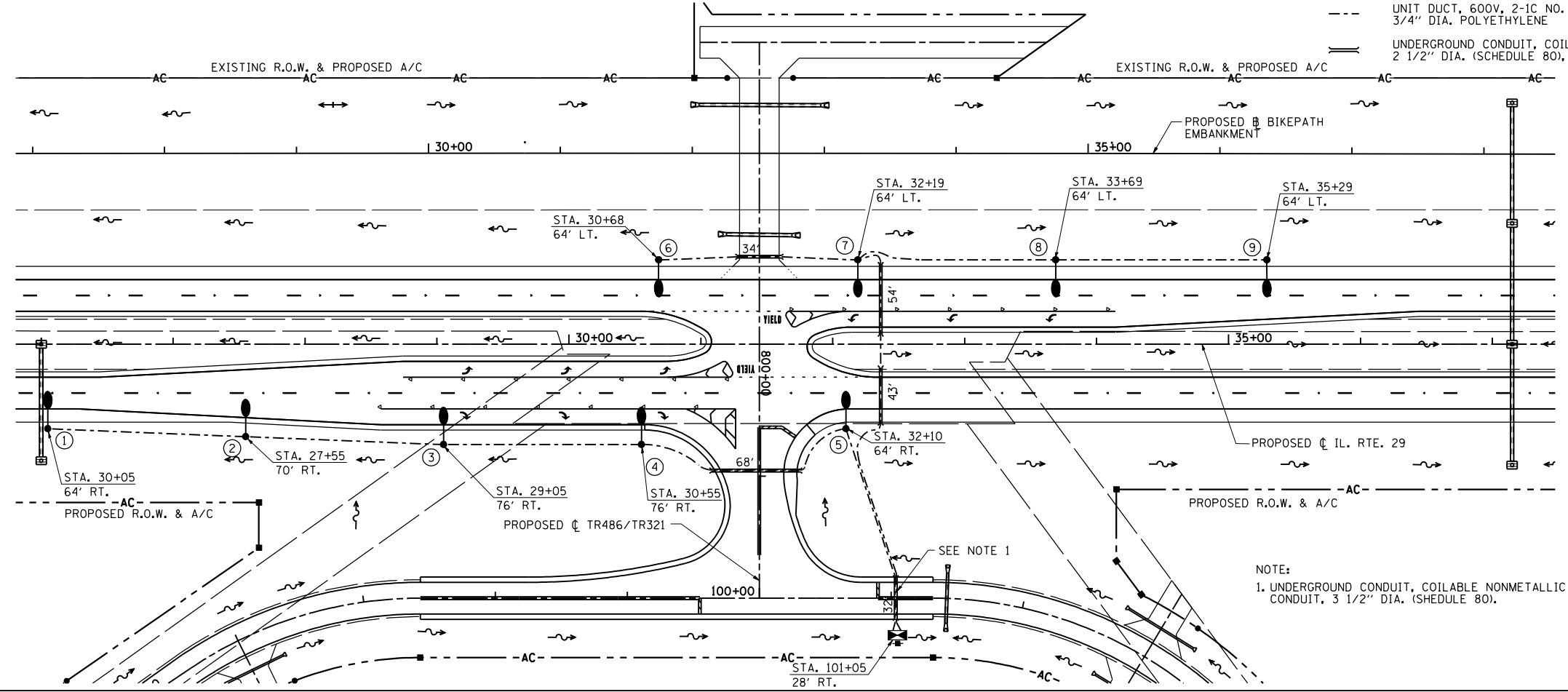
F.A.P. RTE.	SECTION	COUNTY	TOTAL SHEETS	SHEET NO.
75	84-12; 11-3	•	729	447
STA.	TO STA. N/A			
FED. ROAD DIST. NO. 5 ILLINOIS FED. AID PROJECT				
• SANGAMON AND CHRISTIAN				



LEGEND

- LIGHT POLE, ALUMINUM, 45 FT. M.H., 15 FT. DAVIT ARM WITH LUMINAIRE, SODIUM VAPOR, HORIZONTAL MOUNT, 250 WATT, WITH BREAKAWAY COUPLINGS.
- ELECTRIC SERVICE INSTALLATION, 120/240V, 1 PHASE, 4 WIRE
- LIGHTING CONTROLLER, POLE MOUNTED, 240V, 60A
- UNIT DUCT, 600V, 2-1C NO. 8, 1/C NO. 8 GROUND (XLP TYPE USE), 3/4" DIA. POLYETHYLENE
- UNDERGROUND CONDUIT, COILABLE NONMETALLIC CONDUIT, 2 1/2" DIA. (SCHEDULE 80), UNLESS NOTED OTHERWISE

*NOTE: ALL CONDUIT PUSHED OR TRENCHED AS DETERMINED BY THE ENGINEER.



NOTE:
1. UNDERGROUND CONDUIT, COILABLE NONMETALLIC CONDUIT, 3 1/2" DIA. (SCHEDULE 80).

REVISIONS	
NAME	DATE

ILLINOIS DEPARTMENT OF TRANSPORTATION

LIGHTING PLAN
ILLINOIS RTE. 29 & TR 63/74
ILLINOIS RTE 29 & TR 486/321

SCALE: 1" = 50'
DATE: 03/06/2012

DRAWN BY: IDOT
CHECKED BY: J.M.M.

Default L:\DOT\030601\Draw\Sheets\030601\Draw\Lighting\Lighting_PR_004.dgn 5/9/2012