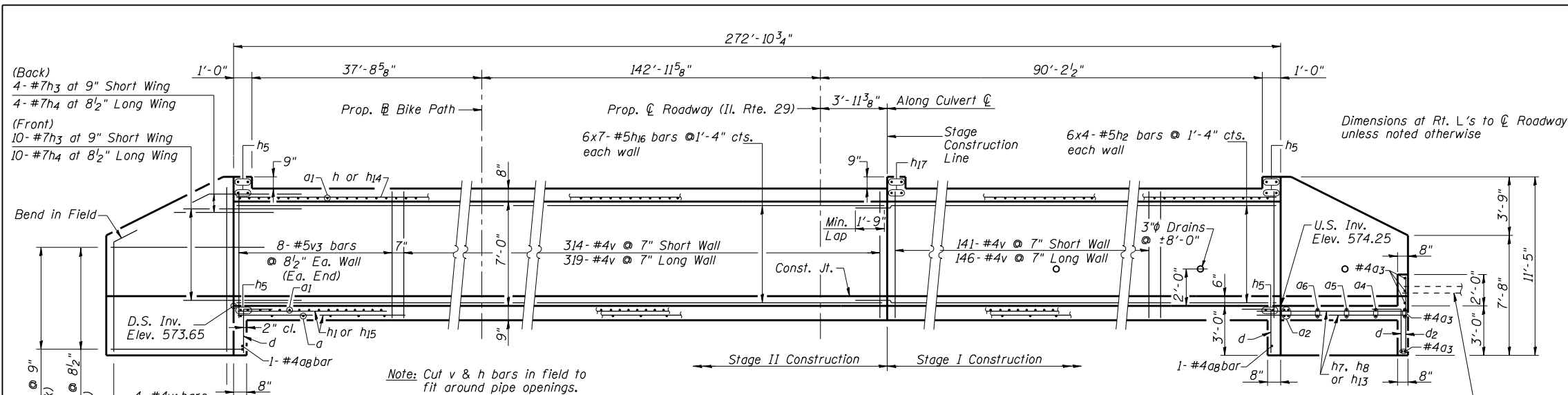
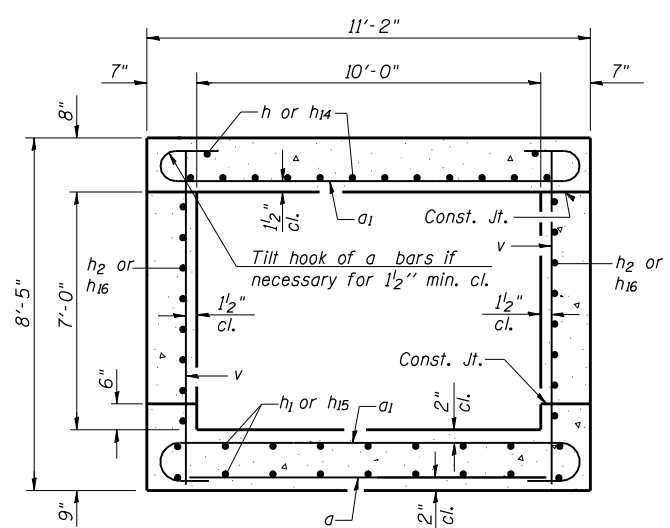


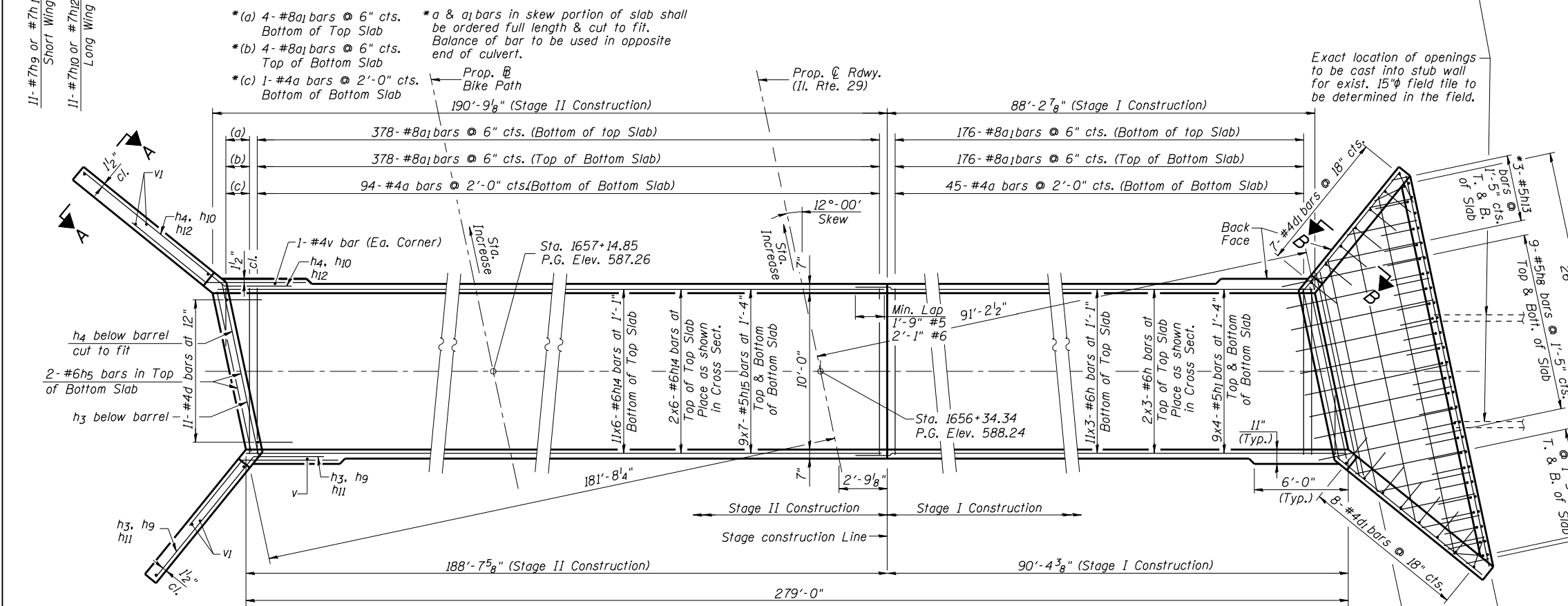
F.A. RTE.	SECTION	COUNTY	TOTAL SHEETS	SHEET NO.
75	84-12: 11-3		729	467
STA.	N/A	TO STA.	N/A	
FED. ROAD DIST. NO. 5 ILLINOIS FED. AID PROJECT				
• SANGAMON AND CHRISTIAN				



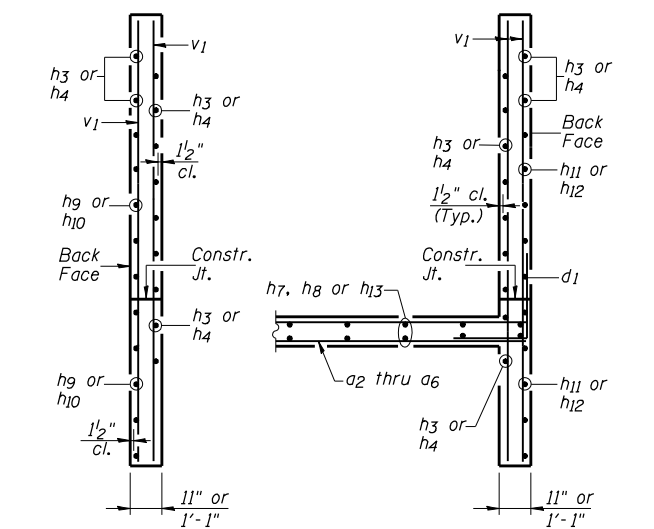
**CULVERT SECTION**



**SECTION THRU BARREL**



**PLAN**



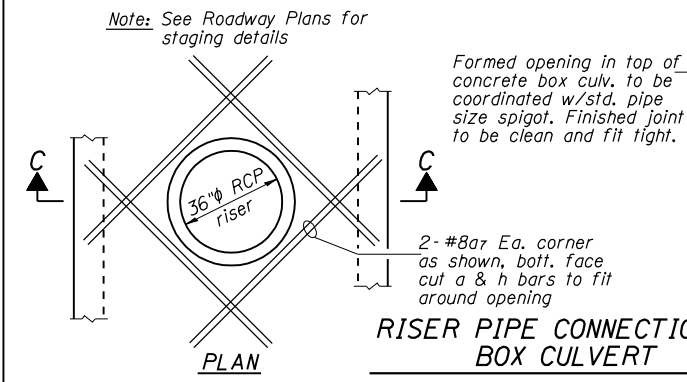
**SECTION A-A**

**SECTION B-B**

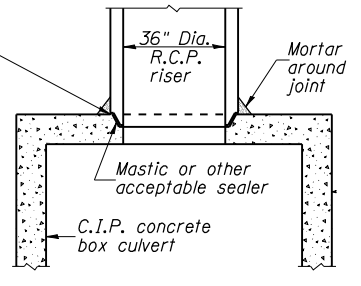
**MINIMUM BAR LAPS**

- #5 bar = 1'-9"
- #6 bar = 2'-1"

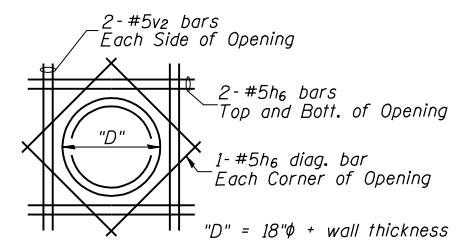
\*Cut bars to fit and balance bars in Top and Bottom of Slab.



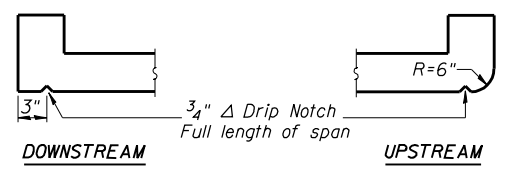
**RISER PIPE CONNECTION TO BOX CULVERT**



**SECTION C-C**



**ADDITIONAL REINF. FOR 18" PIPE OPENING**



**SECTION THRU HEADWALL**

REVISIONS	
NAME	DATE

ILLINOIS DEPARTMENT OF TRANSPORTATION	
<b>BOX CULVERT DETAILS</b>	
<b>PROPOSED STRUCTURE NO. 011-7053</b>	
<b>STA. 1656+34.34</b>	
SCALE: NONE	DRAWN BY: GLD
DATE: 03/06/2012	CHECKED BY: ALY

TSL L:\1007\030601\Draw\Sheets\Structures\BOX CULV.SHT2.STA.1656+34.34.dgn 3/6/2012