

F.A. RTE.	SECTION	COUNTY	TOTAL SHEETS	SHEET NO.
75	84-12; 11-3	•	729	590
STA. 1648+46.18 TO STA. 1650+00.00				
FED. ROAD DIST. NO. 5 ILLINOIS FED. AID PROJECT				
• SANGAMON AND CHRISTIAN				
110	120	130	140	

BY: \_\_\_\_\_ DATE: \_\_\_\_\_

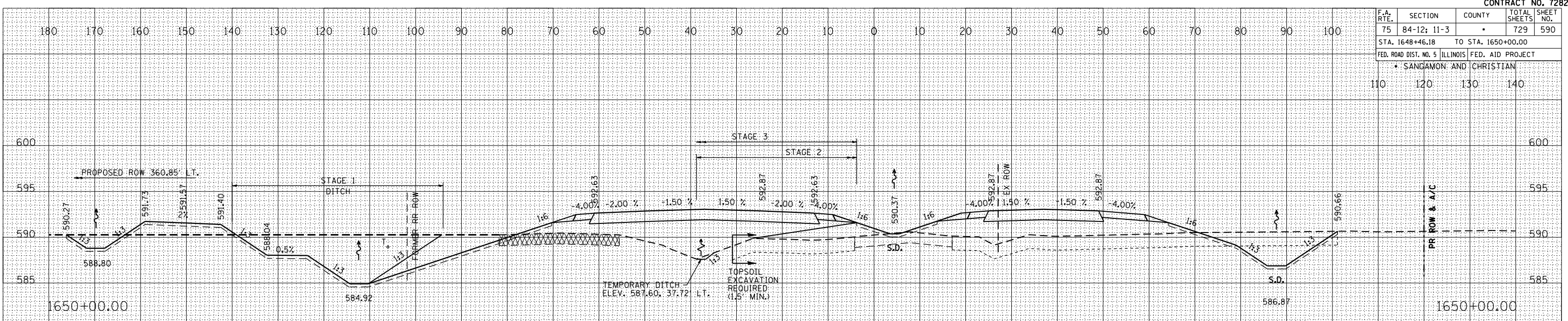
SURVEYED \_\_\_\_\_ PLOTTED \_\_\_\_\_

NO. \_\_\_\_\_

NO. \_\_\_\_\_

NO. \_\_\_\_\_

NO. \_\_\_\_\_



STAGE	STAGE 1	STAGE 2	STAGE 3
EXCAVATION =	165.1	30.0	41.0
EMBANKMENT =	0.0	205.6	232.9

BY: \_\_\_\_\_ DATE: \_\_\_\_\_

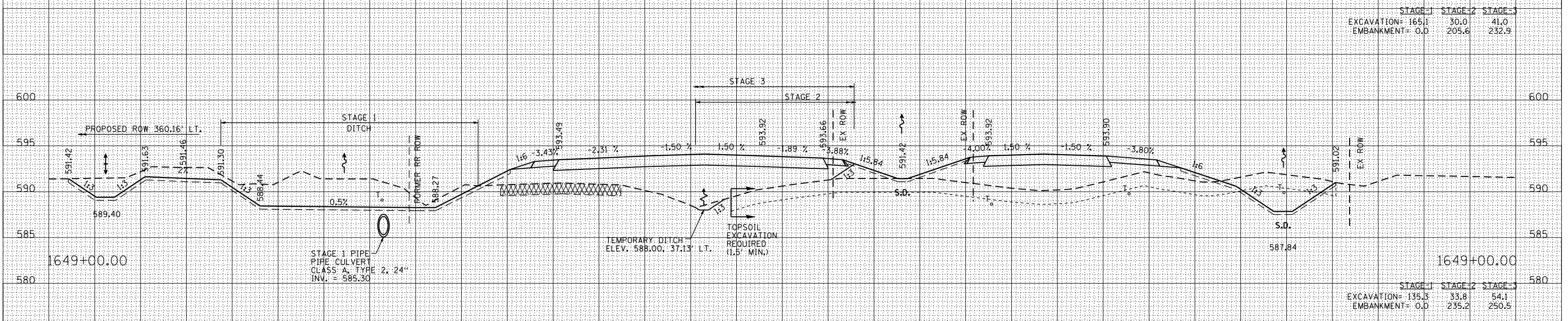
SURVEYED \_\_\_\_\_ PLOTTED \_\_\_\_\_

NO. \_\_\_\_\_

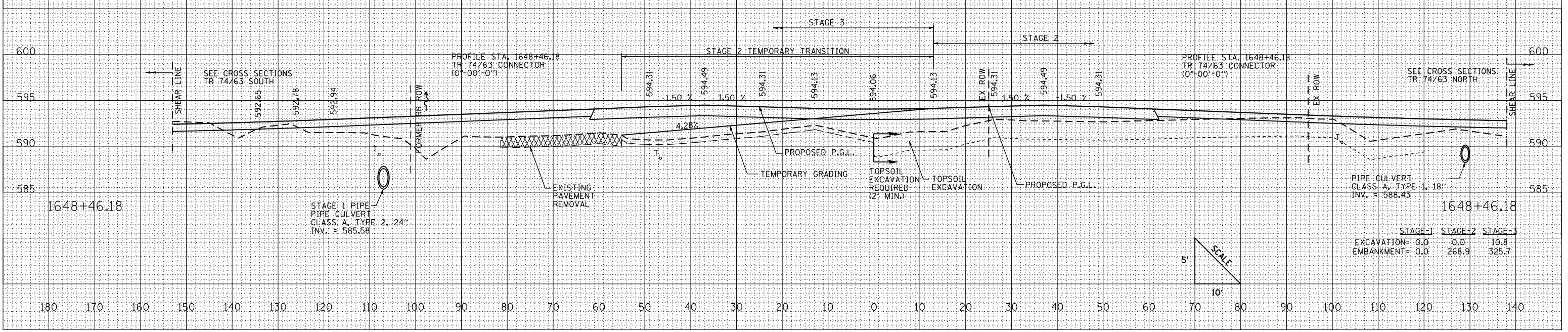
NO. \_\_\_\_\_

NO. \_\_\_\_\_

NO. \_\_\_\_\_



STAGE	STAGE 1	STAGE 2	STAGE 3
EXCAVATION =	135.3	33.8	54.1
EMBANKMENT =	0.0	235.2	250.5



STAGE	STAGE 1	STAGE 2	STAGE 3
EXCAVATION =	0.0	0.0	10.8
EMBANKMENT =	0.0	268.9	325.7