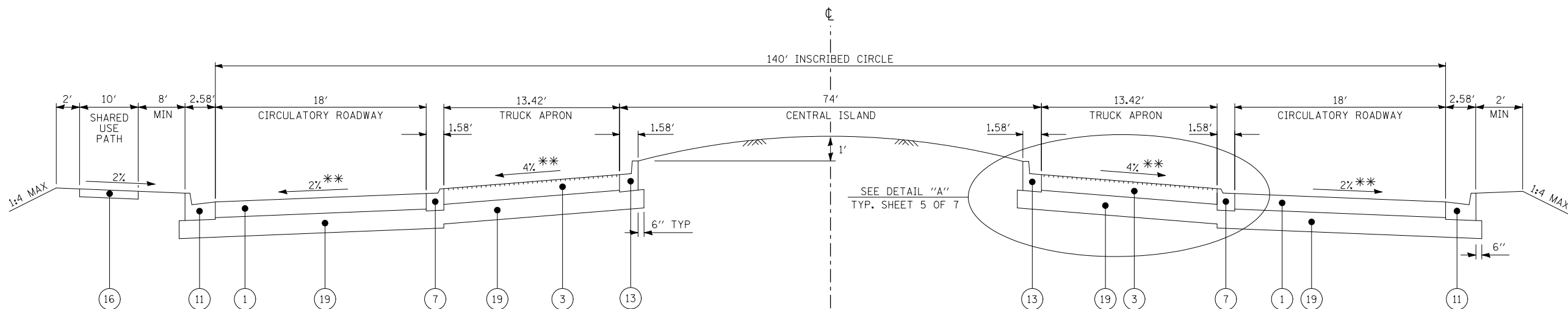


TYPICAL SECTION THROUGH NORTH ROUNDABOUT

NOTES

1. TIE BARS IN ACCORDANCE WITH DETAILS FOR LONGITUDINAL CONSTRUCTION JOINT AS SHOWN ON STANDARD 420001. COST OF TIE BARS INCLUDED IN THE COST OF PCC PAVEMENT.



TYPICAL SECTION THROUGH SOUTH ROUNDABOUT

NOTES

1. TIE BARS IN ACCORDANCE WITH DETAILS FOR LONGITUDINAL CONSTRUCTION JOINT AS SHOWN ON STANDARD 420001. COST OF TIE BARS INCLUDED IN THE COST OF PCC PAVEMENT.

** SLOPE VARIES NEAR ROUNDABOUT - SEE INTERSECTION DETAILS
EXISTING MATERIALS

PROPOSED MATERIALS

- (A) EXISTING HOT-MIX ASPHALT OVERLAY (± 4")
- (B) EXISTING HMA SURFACE & AGGREGATE BASE (DEPTH VARIES)

- (1) PROPOSED PORTLAND CEMENT CONCRETE PAVEMENT, 9"
- (2) PROPOSED PORTLAND CEMENT CONCRETE PAVEMENT, 19"
- (3) PROPOSED PORTLAND CEMENT CONCRETE PAVEMENT, 9" (SPECIAL)
- (4) PROPOSED PORTLAND CEMENT CONCRETE BASE COURSE, 9"
- (5) PROPOSED POLYMERIZED HOT-MIX ASPHALT SURFACE COURSE, MIX "D", N70
- (6) PROPOSED POLYMERIZED HOT-MIX BINDER COURSE, IL-19.0, N70
- (7) PROPOSED COMBINATION CONCRETE CURB & GUTTER, TYPE M-2.12
- (8) PROPOSED COMBINATION CONCRETE CURB & GUTTER, TYPE M-2.12, SPECIAL
- (9) PROPOSED COMBINATION CONCRETE CURB & GUTTER, TYPE B-6.12
- (10) PROPOSED COMBINATION CONCRETE CURB & GUTTER, TYPE B-6.12, SPECIAL
- (11) PROPOSED COMBINATION CONCRETE CURB & GUTTER, TYPE B-6.24
- (12) PROPOSED COMBINATION CONCRETE CURB & GUTTER, TYPE B-6.24, SPECIAL
- (13) PROPOSED COMBINATION CONCRETE CURB & GUTTER, TYPE B-9.12, SPECIAL
- (14) PROPOSED CONCRETE MEDIAN SURFACE, 4"
- (15) PROPOSED CONCRETE BARRIER MEDIAN, TYPE SB-6
- (16) PROPOSED PORTLAND CEMENT CONCRETE SIDEWALK, 4"
- (17) PROPOSED SUB-BASE GRANULAR MATERIAL, TYPE B, 4"
- (18) PROPOSED SUB-BASE GRANULAR MATERIAL, TYPE B, 8"
- (19) PROPOSED SUB-BASE GRANULAR MATERIAL, TYPE B, 12"
- (20) PROPOSED CONCRETE BARRIER WALL (SPECIAL)

FILE NAME =	USER NAME = beriechmann	DESIGNED -	REVISED -
\\0906600\0906603\cad\plans\004-D876006-Sht-Typical.dgn		DRAWN -	REVISED -
		CHECKED -	REVISED -
		DATE -	REVISED -

STATE OF ILLINOIS
DEPARTMENT OF TRANSPORTATION



TYPICAL SECTIONS

SCALE: NONE SHEET NO. 6 OF 7 SHEETS STA. TO STA.

F.A.P. RTE 809 / F.A.U. RTE 9251 / F.A.U. RTE 9269

F.A. RTE.	SECTION	COUNTY	TOTAL SHEETS	SHEET NO.
①	135-N	ST. CLAIR	206	22
CONTRACT NO. 76D06				
ILLINOIS FED. AID PROJECT				