

LAST SAVED = 2/20/2012  
 PEN TABLE = V8-HA-F-143  
 PLOT DRIVER = TR-18pdf-Block-Half.plt

FILE NAME =	USER NAME = beriechmann	DESIGNED -	REVISED -
1:\0906600\0906603\cad\plans\054-D876006-Shd-Drain-05.dgn		DRAWN -	REVISED -
PLOT SCALE = 40.0000' / IN.		CHECKED -	REVISED -
PLOT DATE = 3/20/2012 4:12:13 PM		DATE -	REVISED -

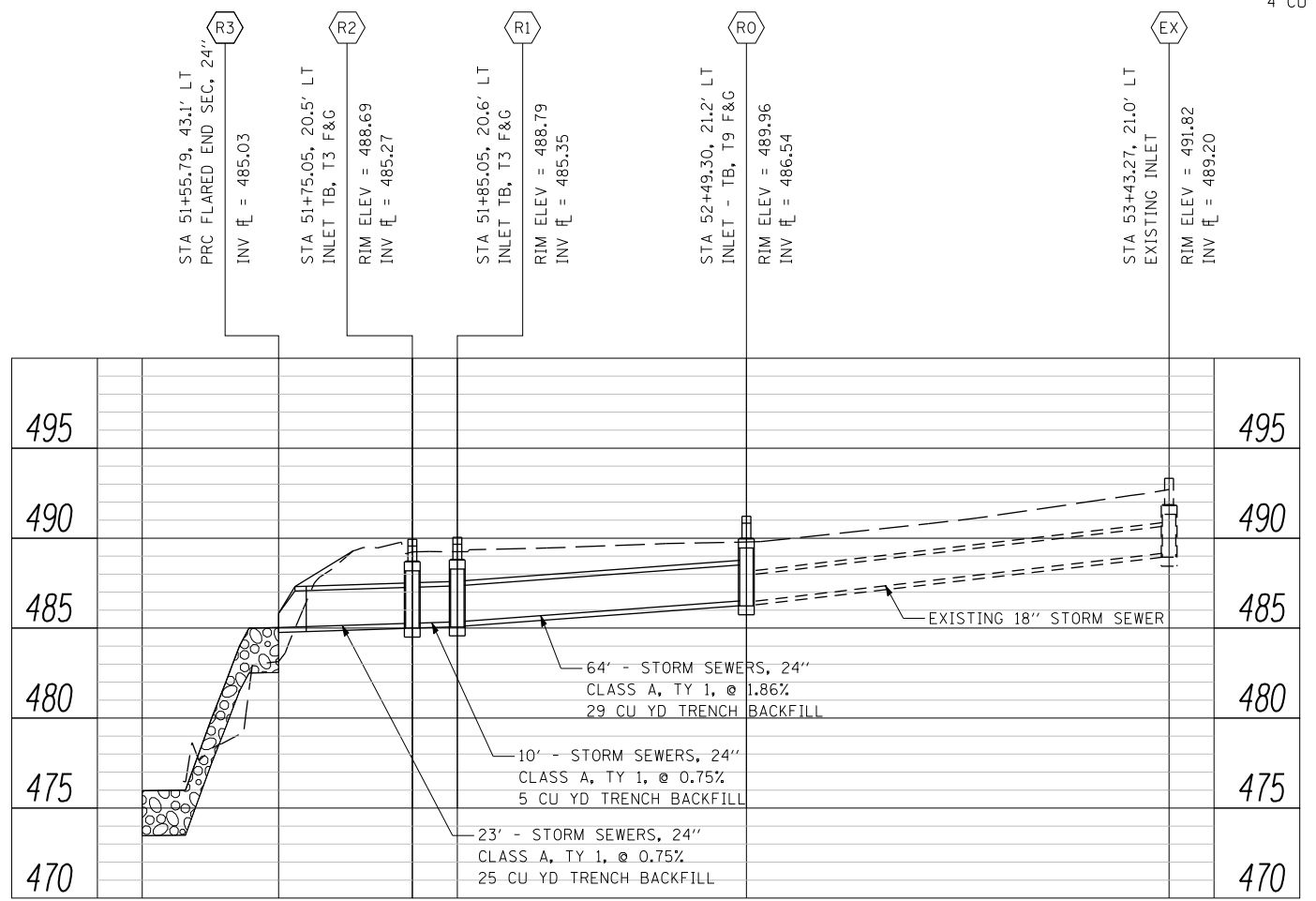
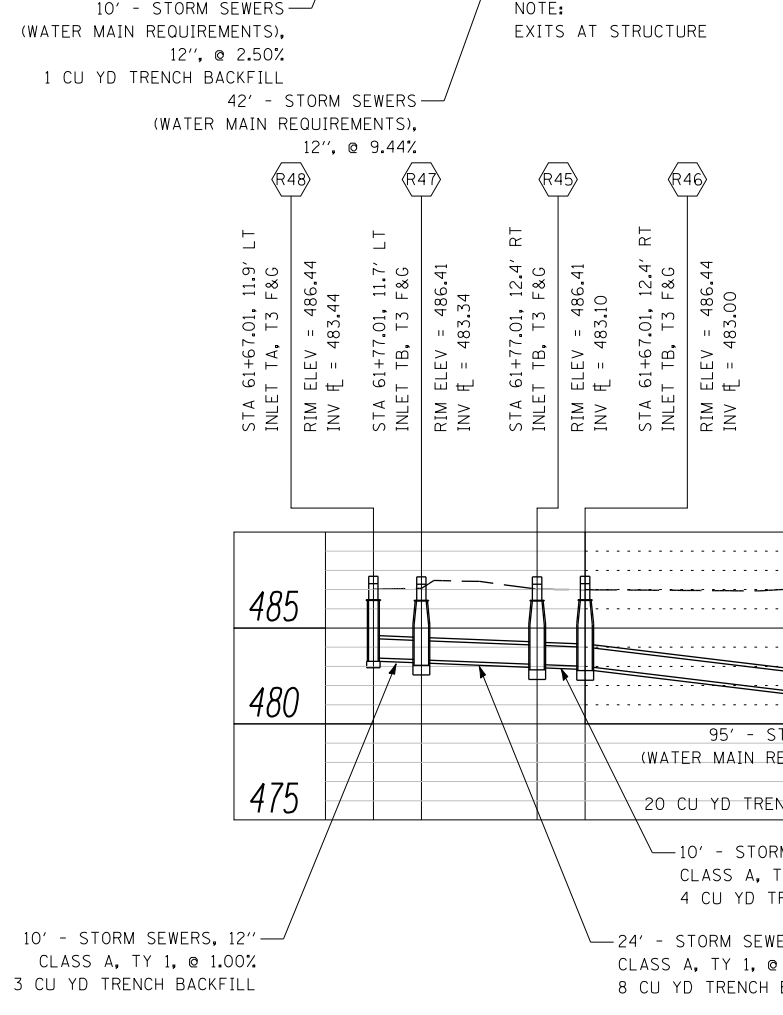
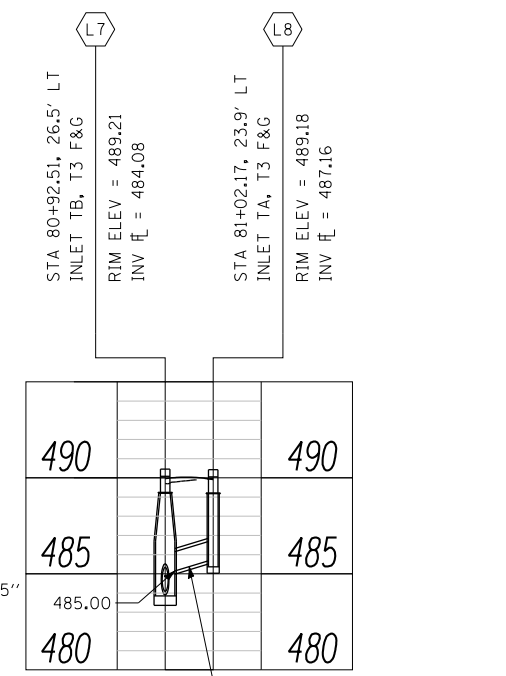
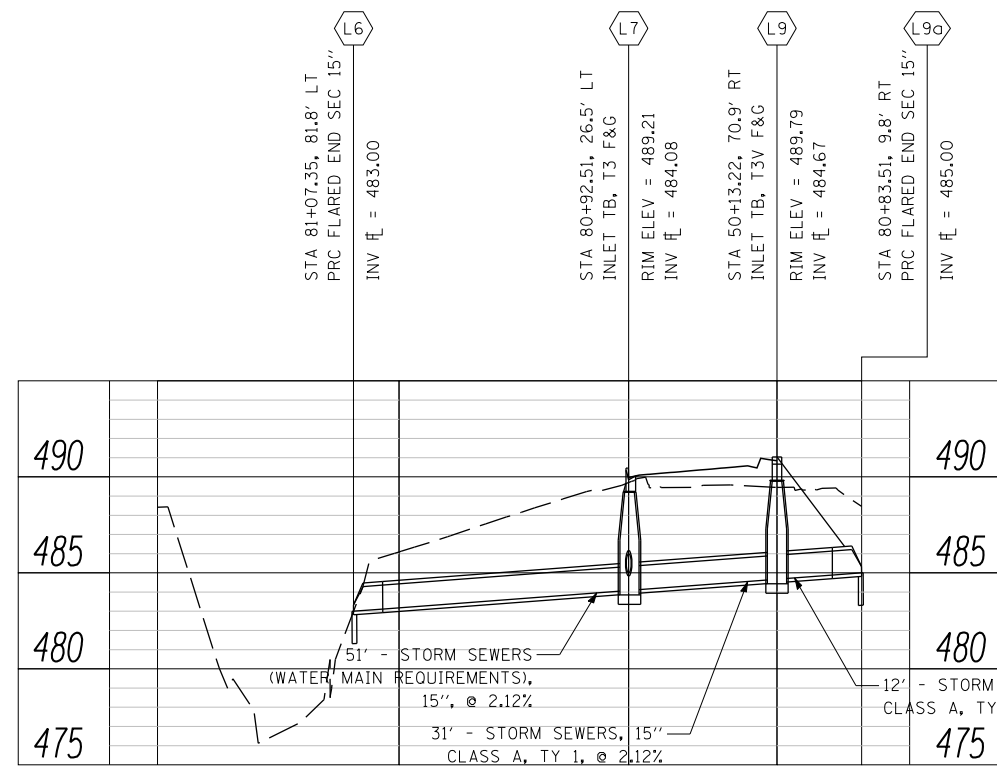
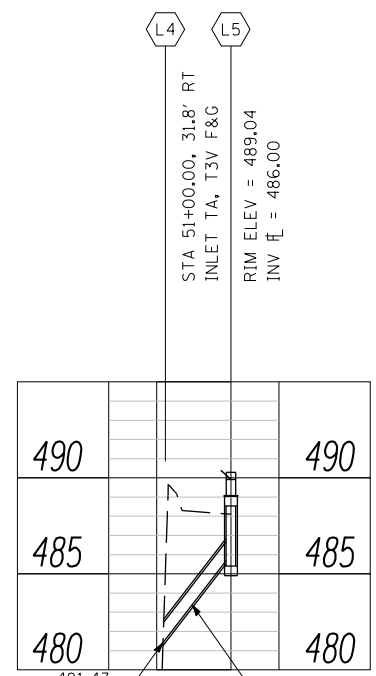
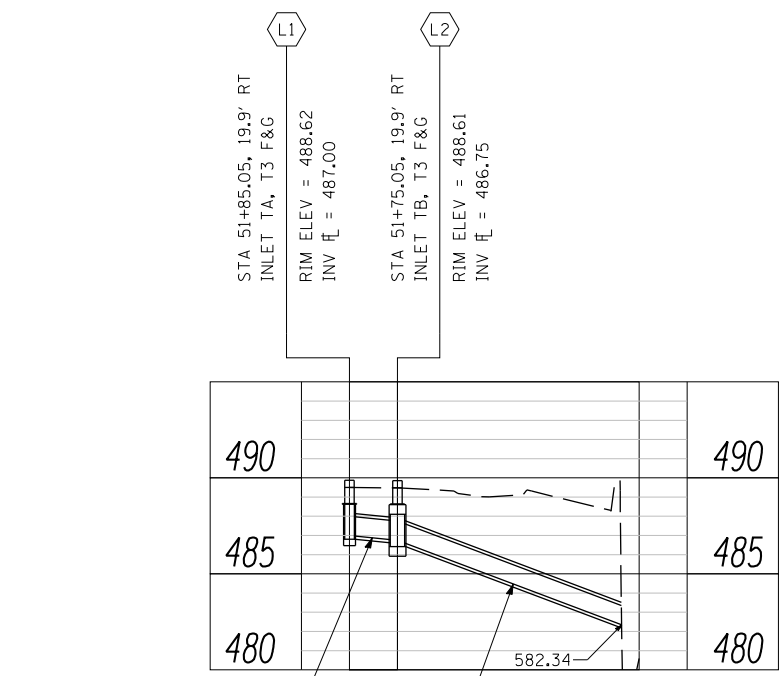
**STATE OF ILLINOIS  
 DEPARTMENT OF TRANSPORTATION**



**DRAINAGE AND UTILITIES PROFILES**

SCALE: 20H : 5V SHEET NO. 1 OF 6 SHEETS STA. TO STA.

F.A. RTE.	SECTION	COUNTY	TOTAL SHEETS	SHEET NO.
①	135-N	ST. CLAIR	206	83
CONTRACT NO. 76D06			ILLINOIS FED. AID PROJECT	



NOTE:  
 INV ELEV IS MEASURED AT CENTER OF STRUCTURE