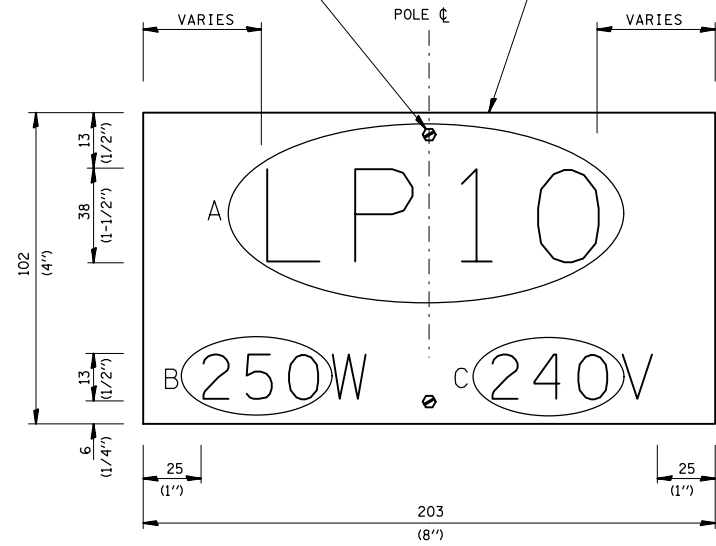


19 (3/4") STAINLESS STEEL SELF-TAPPING SCREWS WITH 5 STAINLESS STEEL SPACERS BEHIND PANEL. HOLES FOR MOUNTING SHALL BE DRILLED ON POLE C ONLY (2-SCREWS PER PANEL).

19 GA ALUMINUM PLATE.



TYPICAL POLE IDENTIFICATION PANEL

SIGN PANEL DETAIL

NOTE:
ALL LETTERS AND NUMERALS SHALL BE SERIES C GOTHIC, NON-REFLECTIVE WHITE PREMIUM QUALITY ENAMEL.

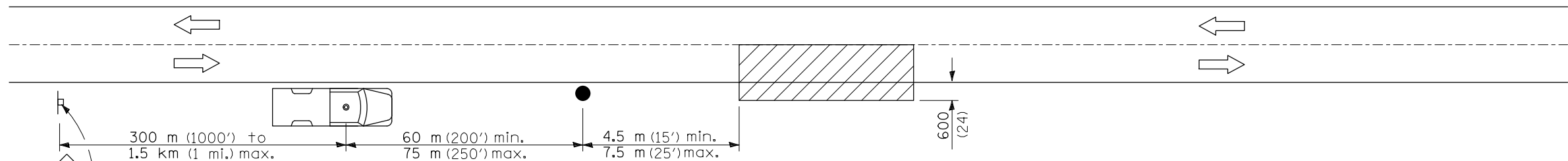
SIGN INFORMATION SHALL BE IN ACCORDANCE WITH LIGHT POLE NUMBERING & WATTAGES SHOWN IN THE SCHEDULE.

ON BRIDGE PARAPET MOUNTED POLES, MOUNT ONE SIGN PANEL FACING ROADWAY 610 (2 FT) ABOVE POLE BASE.

ORIENT SIGN PANEL TO POLE PER STANDARD 830001

MESSAGE AREA		
A	B	C
LP9	250	240
LP10	250	240
LP11	250	240
LP12	250	240
LP13	250	240
LP14	250	240
LP15	250	240
LP16	250	240
LP17	250	240
LP18	250	240
LP21	250	240
LP22	250	240
LP23	250	240
LP24	250	240
LP25	250	240
LP26	250	240
LP27	250	240
LP28	250	240
LP29	250	240
LP30	250	240
LP31	250	240

MESSAGE AREA		
A	B	C
LP32	250	240
LP33	250	240
LP34	250	240
LP35	250	240
LP36	250	240
LP37	250	240
LP38	250	240
LP39	250	240
LP40	250	240
LP41	250	240
LP44	250	240
LP45	250	240
LP46	250	240
LP47	250	240
LP48	250	240
LP49	250	240
UP19	100	240
UP20	100	240
UP42	100	240
UP43	100	240



W21-6(0)-48
SURVEY CREW AHEAD

TYPICAL APPLICATIONS
Utility operations

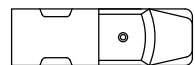
SYMBOLS



Work area



Sign on portable or permanent support



Truck with flashing amber light and dual emergency flashers



Flagger with traffic control sign

All dimensions are in millimeters (inches) unless otherwise shown.

FILE NAME =	USER NAME = prestonme	DESIGNED -	REVISED -
et:\pw\work\p\dot\prestonme\d0133118\d876d06-sh1-light.dgn		DRAWN -	REVISED -
	PLOT SCALE = 50.0000 ' / in.	CHECKED -	REVISED -
	PLOT DATE = 3/19/2012	DATE -	REVISED -

STATE OF ILLINOIS
DEPARTMENT OF TRANSPORTATION

LIGHTING			
SIGN PANEL DETAILS AND DETAIL FOR NIGHTTIME LIGHTING INSPECTION			
SCALE:	SHEET NO.	OF SHEETS	STA. TO STA.

F.A.P. RTE.	SECTION	COUNTY	TOTAL SHEETS	SHEET NO.
809	135-N	ST. CLAIR	206	124
FED. ROAD DIST. NO. ILLINOIS FED. AID PROJECT			CONTRACT NO. 76D06	