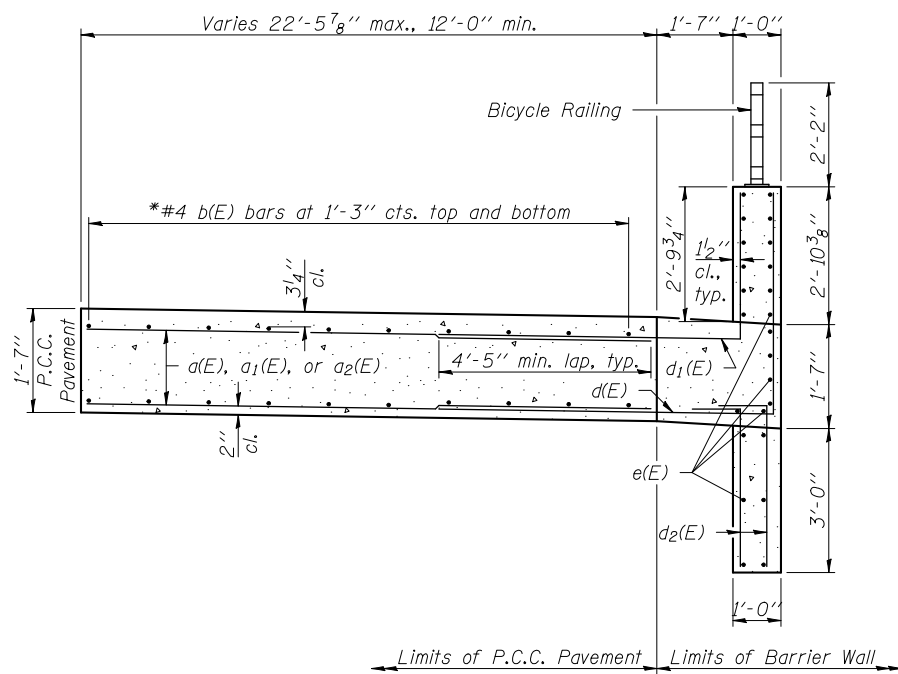
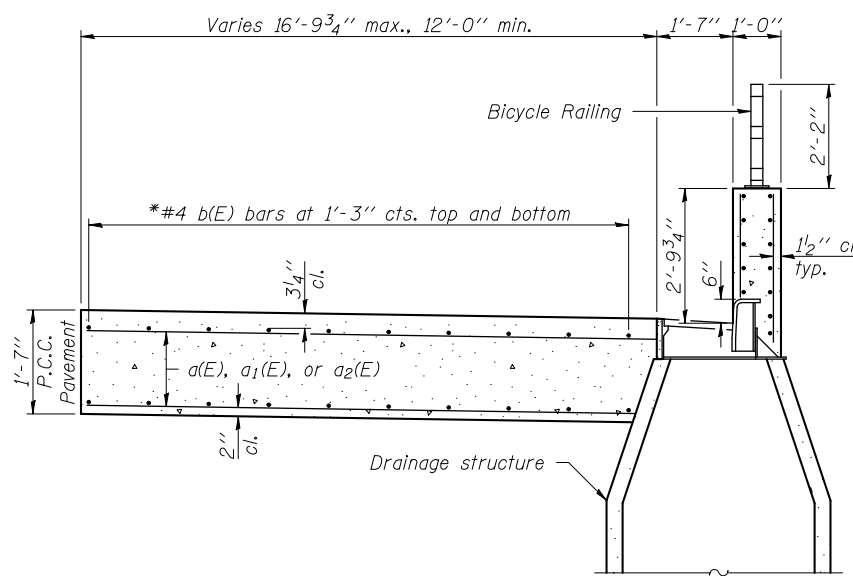


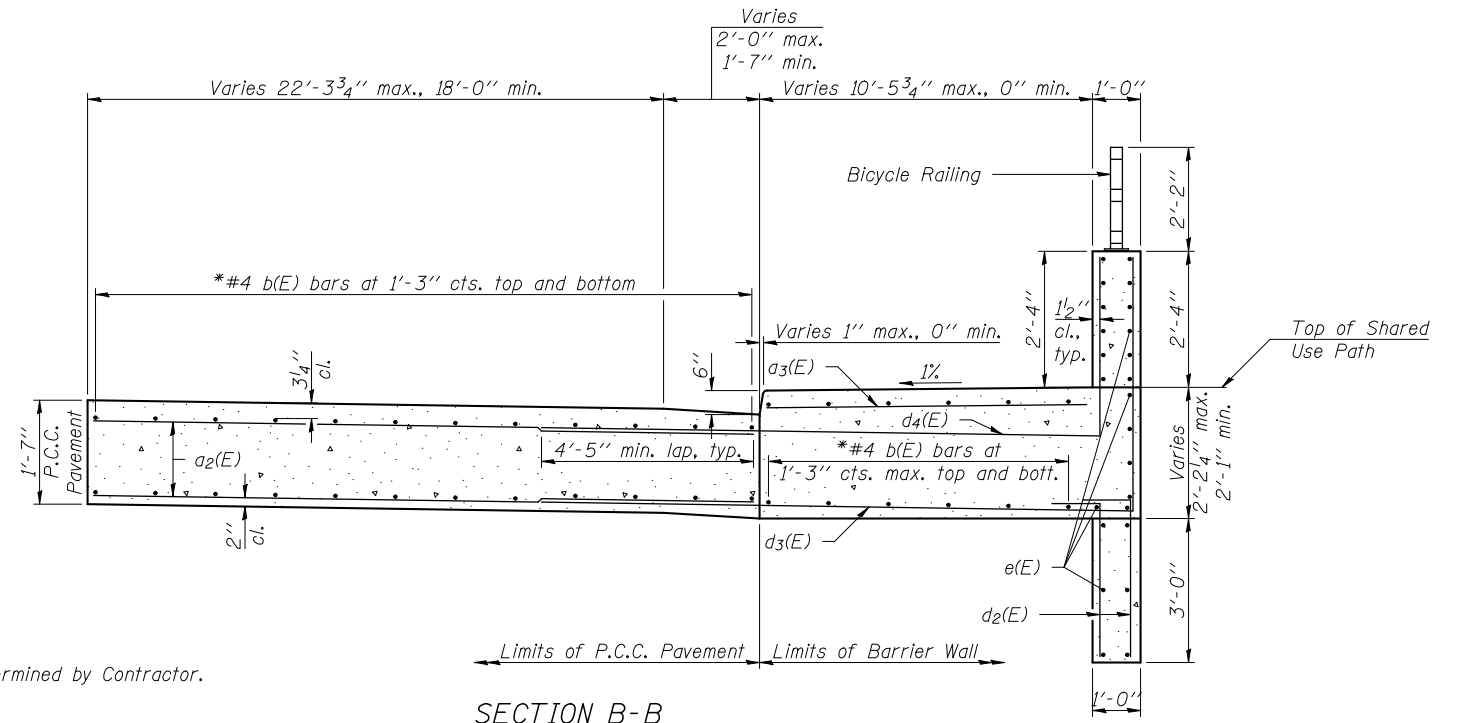
VIEW A-A



SECTION C-C

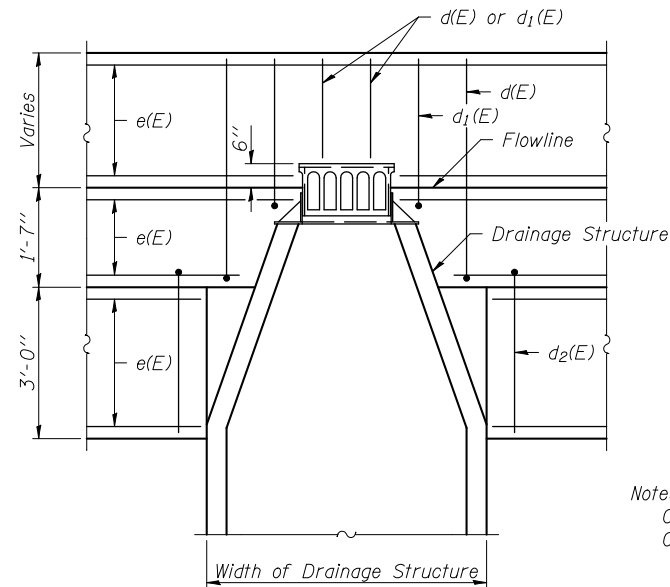


SECTION D-D



SECTION B-B

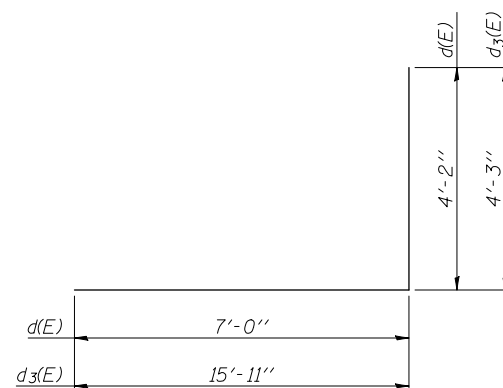
* Number and length of b(E) bars to be determined by Contractor.



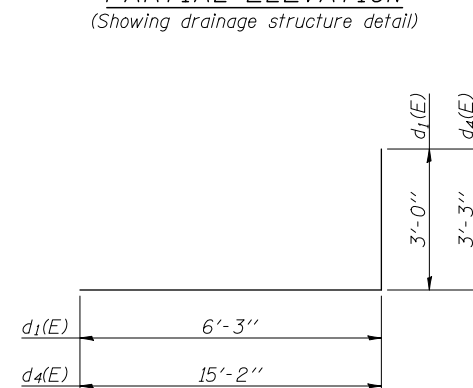
PARTIAL ELEVATION
(Showing drainage structure detail)

MINIMUM BAR LAP
#6 bar = 4'-5"

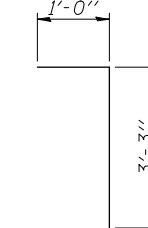
Notes:
Cut e(E) bars, d(E) bars, and d1(E) bars in field to fit drainage structure.
Cut d3(E) bars and d4(E) bars in field to fit wall height.



BARS d(E) & d3(E)



BARS d1(E) & d4(E)



BAR d2(E)

BAR LIST

Bar	No.	Size	Length	Shape
a(E)	98	#6	17'-5"	—
a1(E)	490	#6	11'-9"	—
a2(E)	188	#6	22'-0"	—
a3(E)	27	#6	10'-3"	—
d(E)	361	#6	11'-2"	┘
d1(E)	361	#6	9'-3"	┘
d2(E)	776	#6	4'-3"	┘
d3(E)	27	#6	20'-2"	┘
d4(E)	27	#6	18'-5"	┘

LAST SAVED = 2/20/2012
PEN TABLE = V:\M\F\141
PLOT DRIVER = TR-18pdf-Block-Half.plt

FILE NAME =	USER NAME = elagemann	DESIGNED K.A. Klues	REVISED -
1:\0906600\0906603\Cad\5\Plans\Barrier	Wall.dgn	DRAWN K.A. Klues	REVISED -
	PLOT SCALE = 0:2.0000 '1' / IN.	CHECKED E.M. Lagemann	REVISED -
	PLOT DATE = 3/20/2012 4:52:54 PM	DATE XXXXXX	REVISED -

STATE OF ILLINOIS
DEPARTMENT OF TRANSPORTATION

HORNER &
SHIRIN, INC.
ENGINEERS

BARRIER WALL DETAILS
IL 158 / CENTERVILLE AVENUE

SCALE: NONE SHEET NO. 2 OF 2 SHEETS STA. TO STA.

F.A.P. RTE 809 / F.A.U. RTE 9269

F.A.P. RTE.	SECTION	COUNTY	TOTAL SHEETS	SHEET NO.
①	135-N	ST. CLAIR	206	143
CONTRACT NO. 76D06				

ILLINOIS FED. AID PROJECT