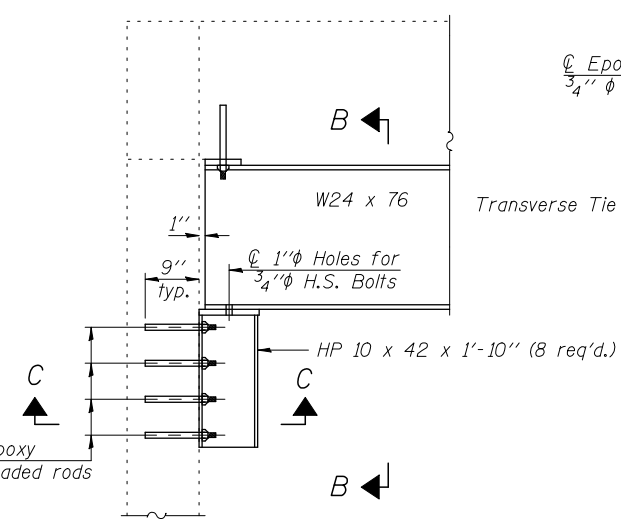
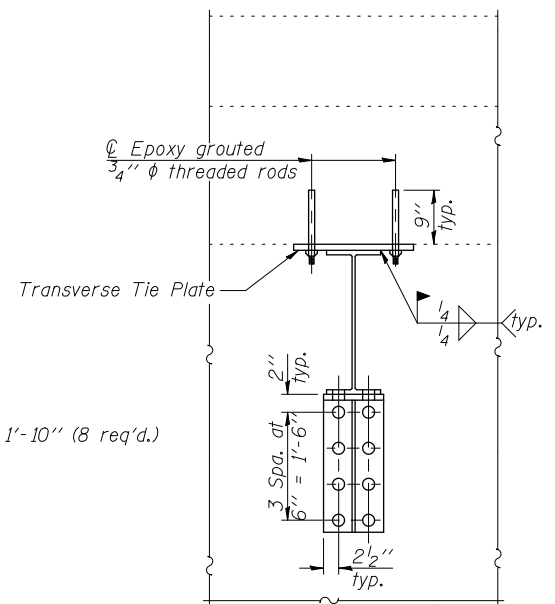


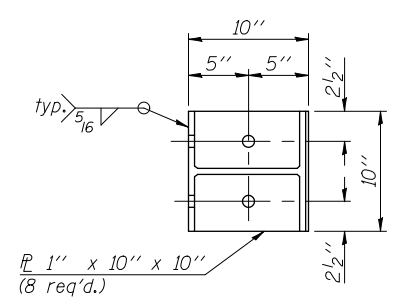
ELEVATION



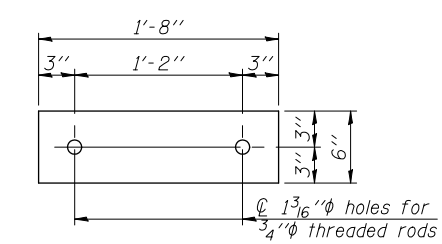
SECTION A-A



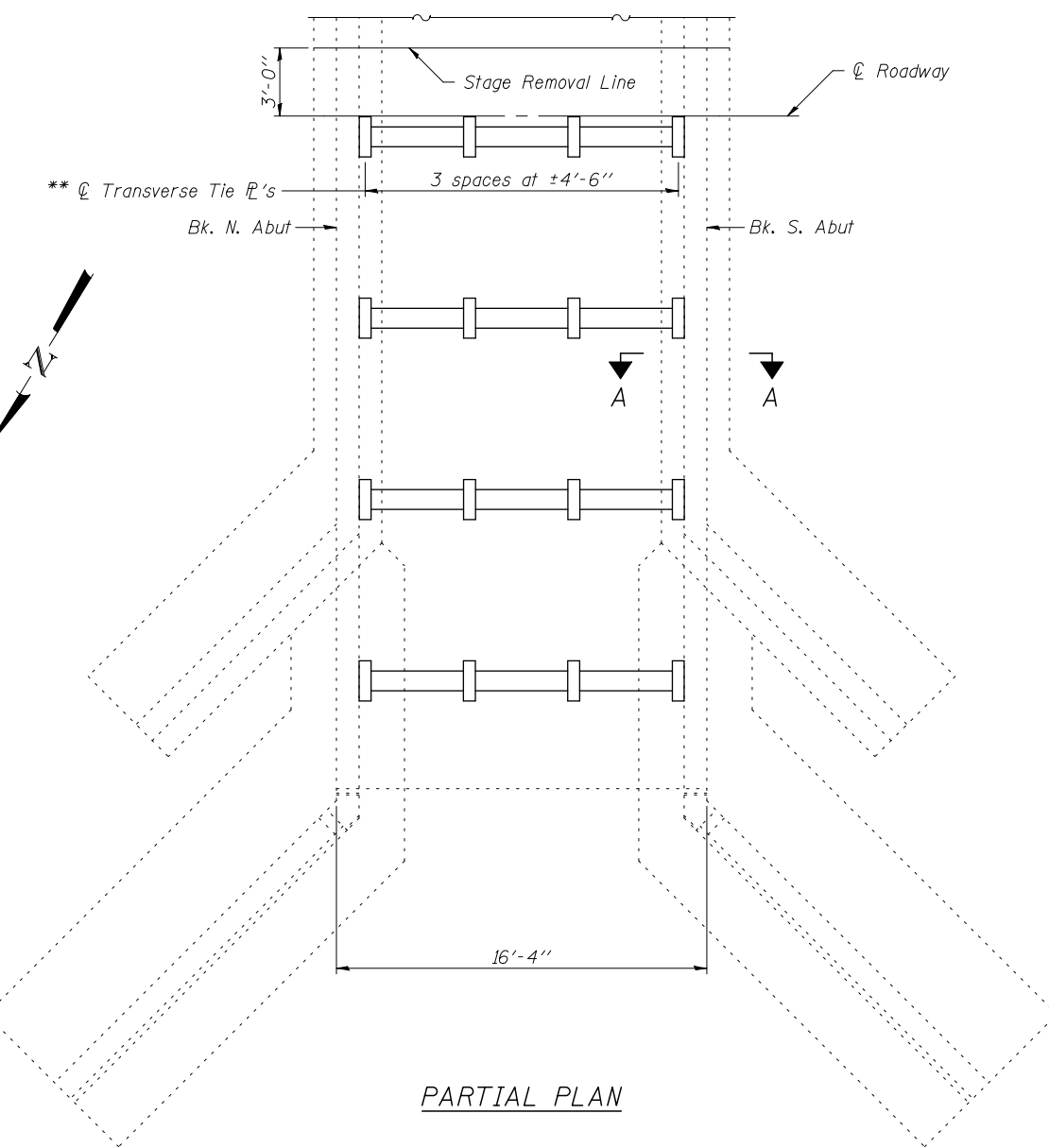
SECTION B-B



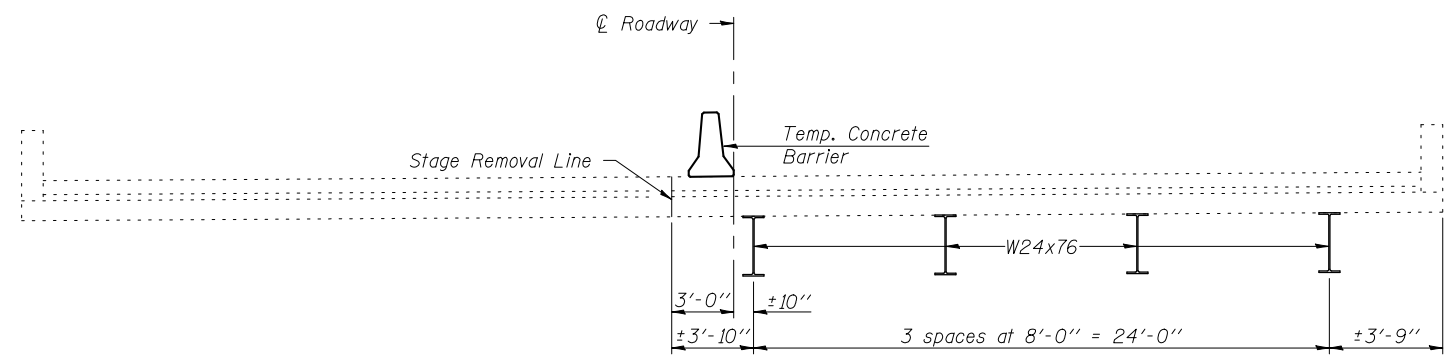
SECTION C-C



TRANSVERSE TIE PLATE
3/4" x 6" x 1'-8" (16 req'd.)



PARTIAL PLAN



CROSS SECTION
(Looking South)

GENERAL NOTES

Fasteners shall be ASTM A325 Type 1, mechanically galvanized bolts. Bolts 3/4 in. ϕ , holes 15/16 in. ϕ , unless otherwise noted.
 Calculated weight of Structural Steel = 5,730 AASHTO M 270 Grade 36. Calculated weight is an estimate. The nominal beam depth of alternate sections shall not be greater than 27". No additional payment will be made if the Contractor elects to use other support sections. The cost of structural steel shall be included with Temporary Support System.
 No field welding is permitted except as specified in the contract documents.
 Plan dimensions and details relative to existing plans are subject to nominal construction variations. The Contractor shall field verify existing dimensions and details affecting new construction and make necessary approved adjustments prior to construction or ordering of materials. Such variations shall not be cause for additional compensation for a change in the scope of work.
 See Section 584 of the Standard Specifications for epoxy grouting of threaded rods.
 The cost of epoxy grouted threaded rods shall be included with Temporary Support System.
 Contractor has the option of using used steel. See Special Provision.

* Contractor is to verify beam length prior to ordering material. Other sections meeting the plastic section modulus requirements shown may be allowed subject to approval by the Bureau of Bridges and Structures.
 ** Place additional shims at midpoints between tie PL's. Securely weld shims to top flange of support beam. Minimum shim size is 6" x flange width. Spacing may be adjusted to miss adjacent transverse tie PL's.