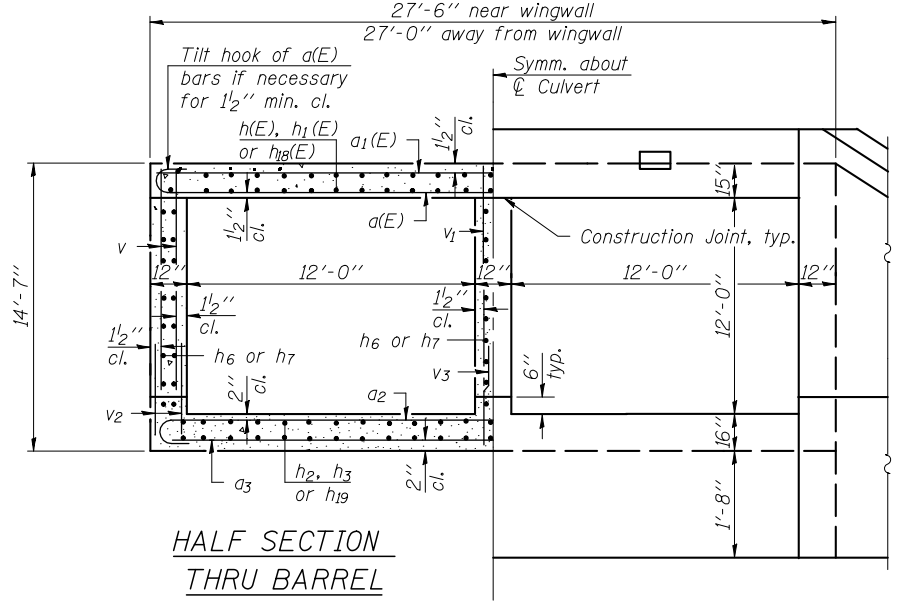
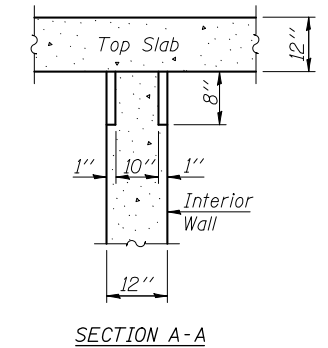
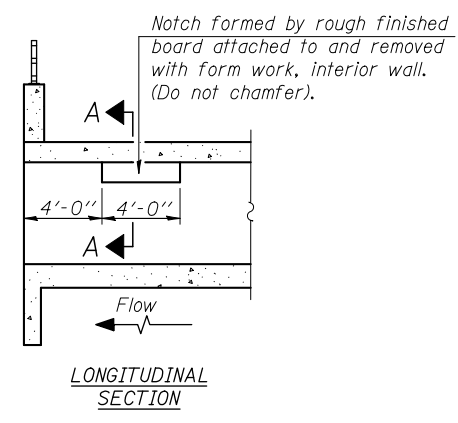


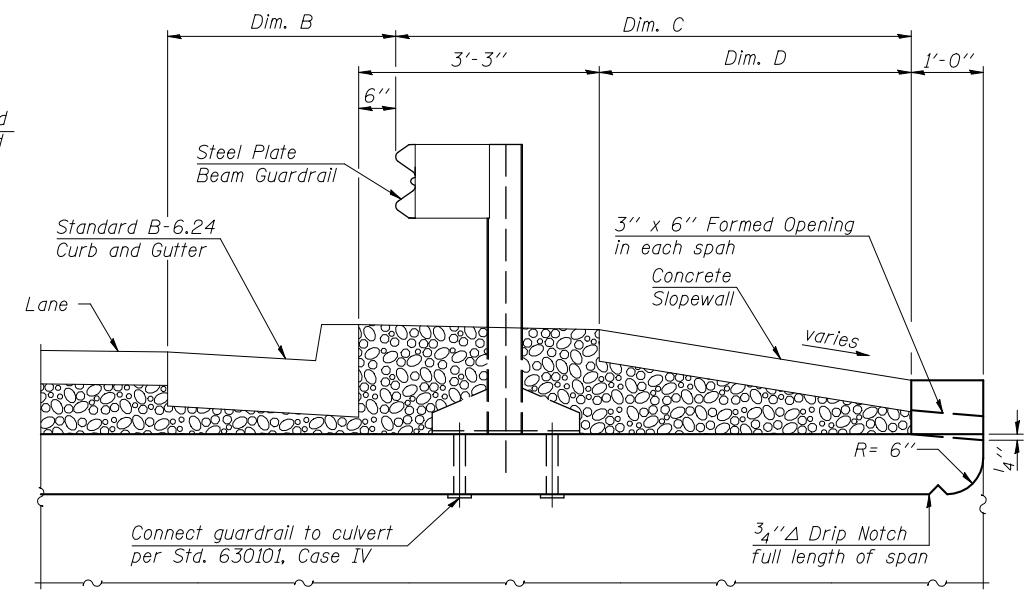
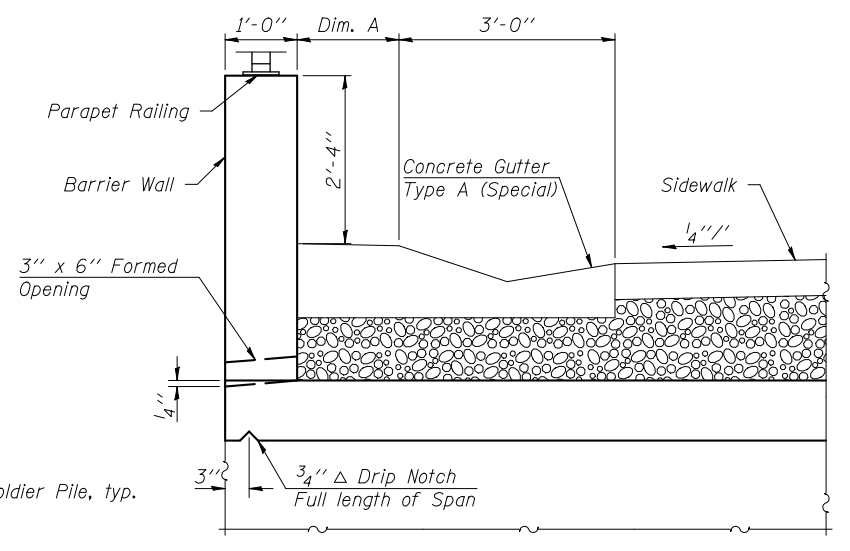
- \* 12-Bar Splicers for #7 h<sub>6</sub> bars & #7 h<sub>7</sub> bars, E.F., outside walls.
- 12-Bar Splicers for #7 h<sub>6</sub> bars & #7 h<sub>7</sub> bars, E.F., center wall.
- \*\* 47-#5 v bars and 47-#5 v<sub>2</sub> bars at 8'-0" cts. I.F., Stage I
- 16-#5 v bars and 16-#5 v<sub>2</sub> bars at 2'-0" cts. F.F., Stage I
- \*\*\* 60-#5 v bars and 60-#5 v<sub>2</sub> bars at 8" cts. I.F., Stage II
- 20-#5 v bars and 20-#5 v<sub>2</sub> bars at 2'-0" cts. F.F., Stage II



**HALF END ELEVATION**



**PHOEBE NESTING SITE DETAILS**  
(Downstream End Only)



**TABLE OF VARIABLE DIMENSIONS**

	Maximum	Minimum
Dim. A	1'-5"	0"
Dim. B	3'-11 <sup>3</sup> / <sub>4</sub> "	3'-2 <sup>1</sup> / <sub>2</sub> "
Dim. C	10'-3 <sup>3</sup> / <sub>4</sub> "	3'-10 <sup>5</sup> / <sub>8</sub> "
Dim. D	7'-6 <sup>3</sup> / <sub>4</sub> "	1'-1 <sup>3</sup> / <sub>8</sub> "
Dim. E	4'-5 <sup>1</sup> / <sub>8</sub> "	4'-4 <sup>1</sup> / <sub>2</sub> "

Note: Dim. B includes Standard B-6.24 Curb and Gutter.

Note:  
Cut vertical legs of d(E) & d<sub>1</sub>(E) bars in field to fit wall.  
See sheet 11 of 20 for Drainage Pipe Void Reinforcement.