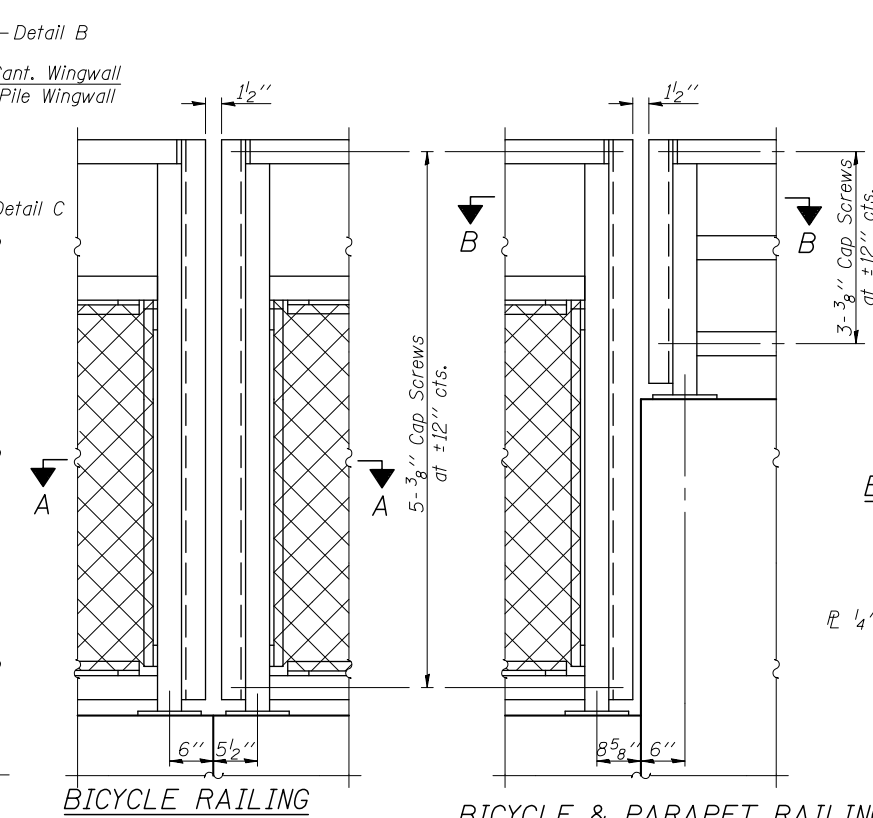


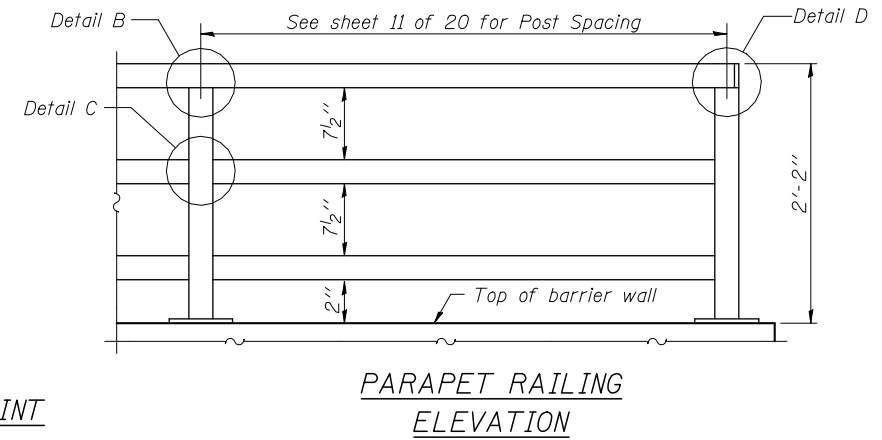
BICYCLE RAILING ELEVATION



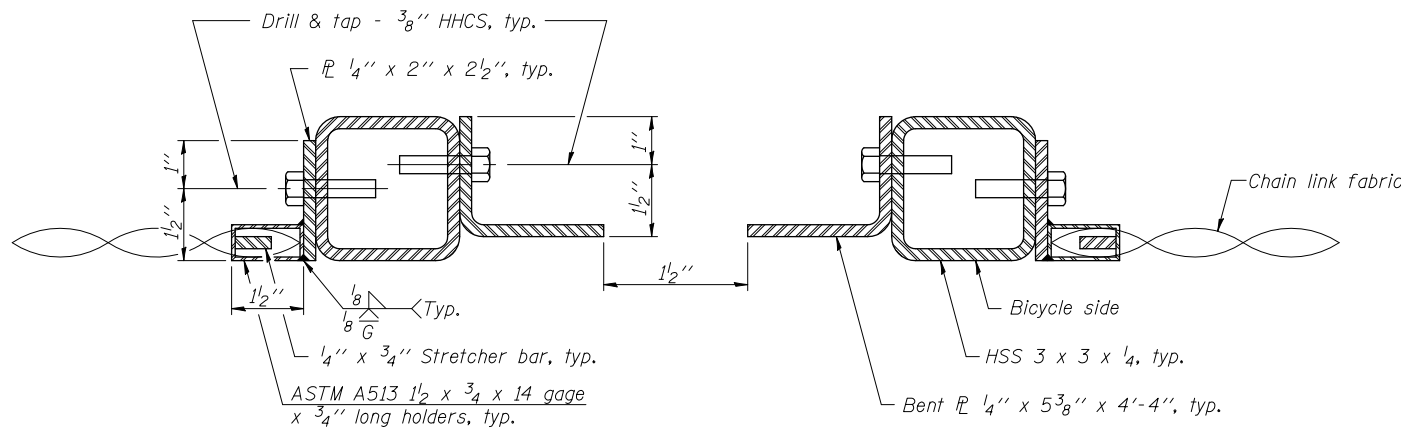
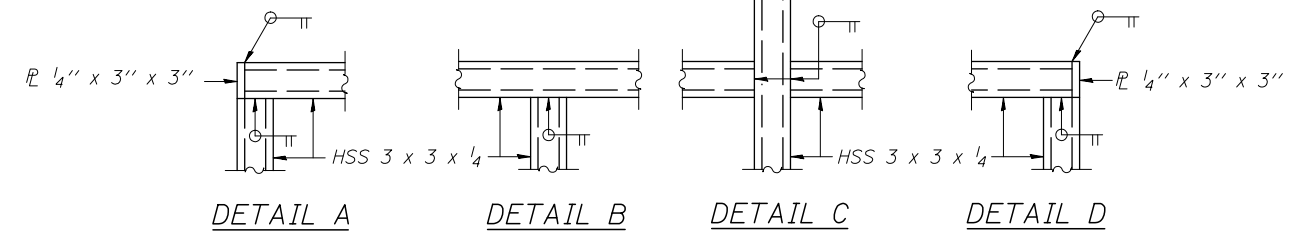
BICYCLE RAILING ELEV. AT CONST. JOINT

BICYCLE & PARAPET RAILING ELEV. AT WINGWALL & BARRIER WALL

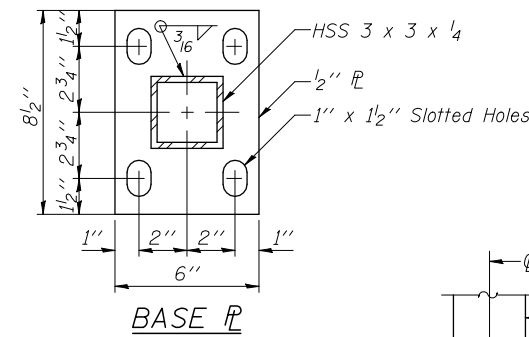
PARAPET RAILING ELEVATION AT CONST. JOINT



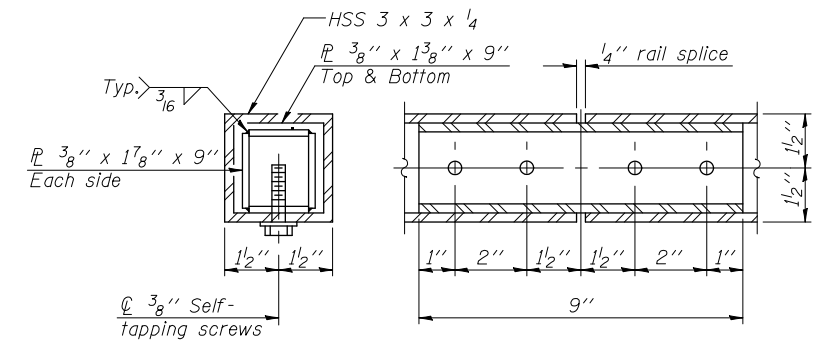
PARAPET RAILING ELEVATION



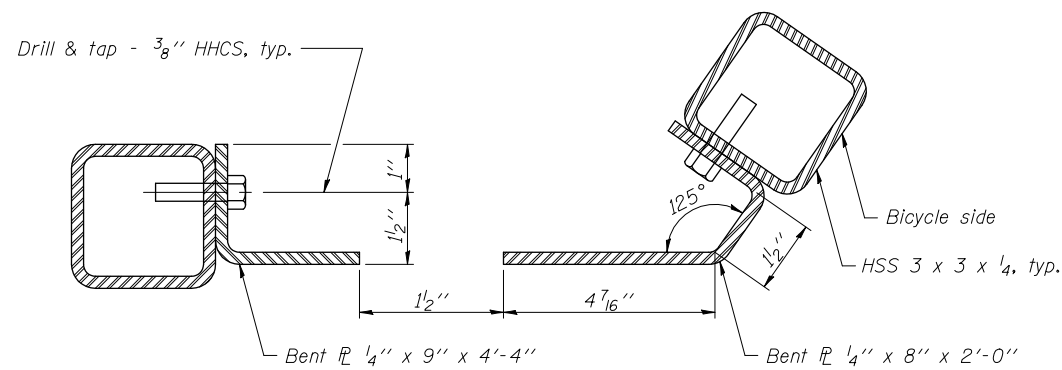
SECTION A-A



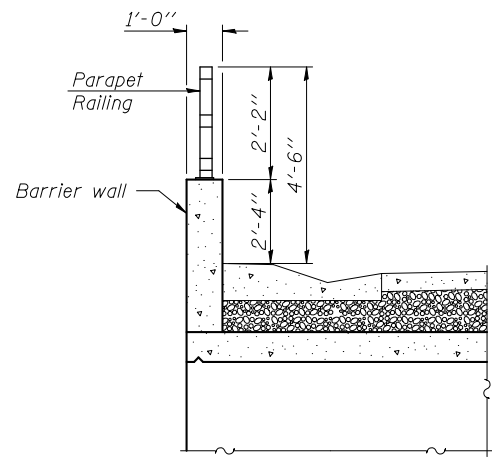
BASE PLATE



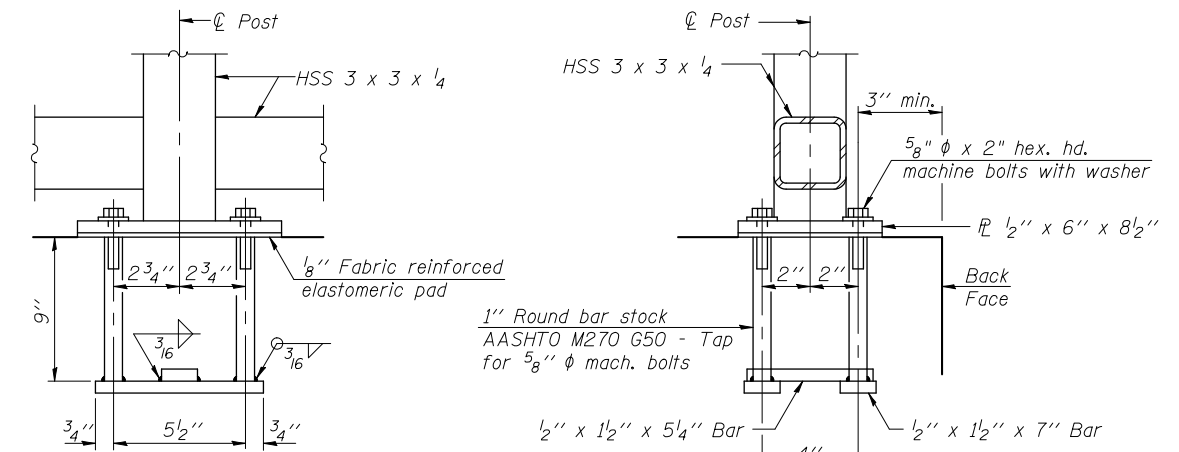
RAIL SPLICE



SECTION B-B



SECTION THRU CULVERT



ANCHOR BOLT DETAILS

In lieu of the cast-in-place anchor device shown, the Contractor has the option of drilling and setting 5/8" ϕ anchor rods according to Article 509.06 of the Standard Specifications. Embedment shall be according to the manufacturer's specifications.

BILL OF MATERIAL

Item	Unit	Quantity
Bicycle Railing	Foot	23
Parapet Railing	Foot	44