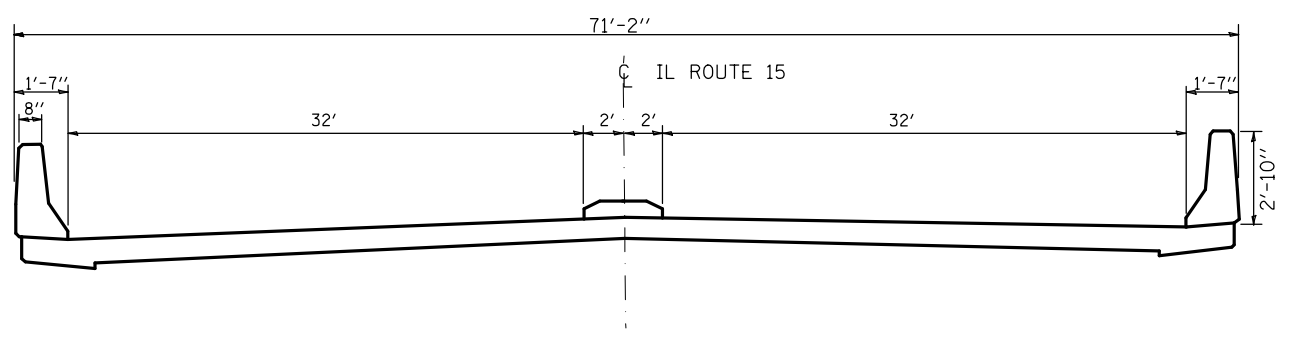


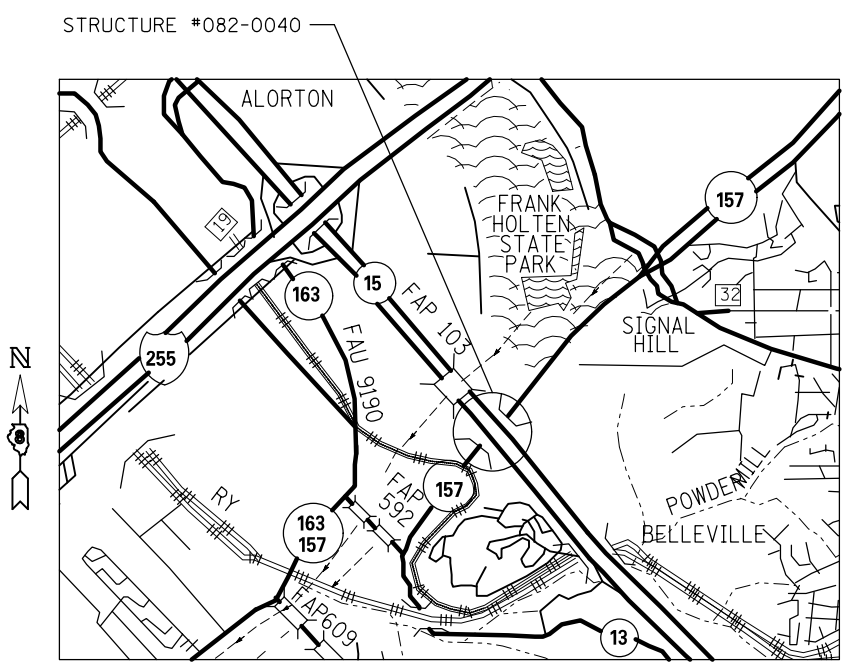
PLAN VIEW



TYPICAL SECTION

TOTAL BILL OF MATERIALS

ITEM	UNIT	TOTAL
CONCRETE SEALER	SQ FT	14,602



LOCATION MAP

FILE NAME =	USER NAME = Burnsideem	DESIGNED -	REVISED -
et:\pw\work\p1dot\burnsideem\d0288219\d876f48-sht-plan1.dgn		DRAWN -	REVISED -
	PLOT SCALE = 100.0000' / 1in.	CHECKED -	REVISED -
	PLOT DATE = 3/23/2012	DATE -	REVISED -

STATE OF ILLINOIS
DEPARTMENT OF TRANSPORTATION

BRIDGE #082-0040 CARRYING IL 15 OVER IL 157
PLAN AND SECTION VIEWS

SCALE:	SHEET NO.	OF SHEETS	STA.	TO STA.
--------	-----------	-----------	------	---------

F.A. RTE.	SECTION	COUNTY	TOTAL SHEETS	SHEET NO.
VAR DIST 8 BRIDGE DECK 2012-1		ST. CLAIR	76	17
CONTRACT NO. 76F48				
FED. ROAD DIST. NO. ILLINOIS FED. AID PROJECT				