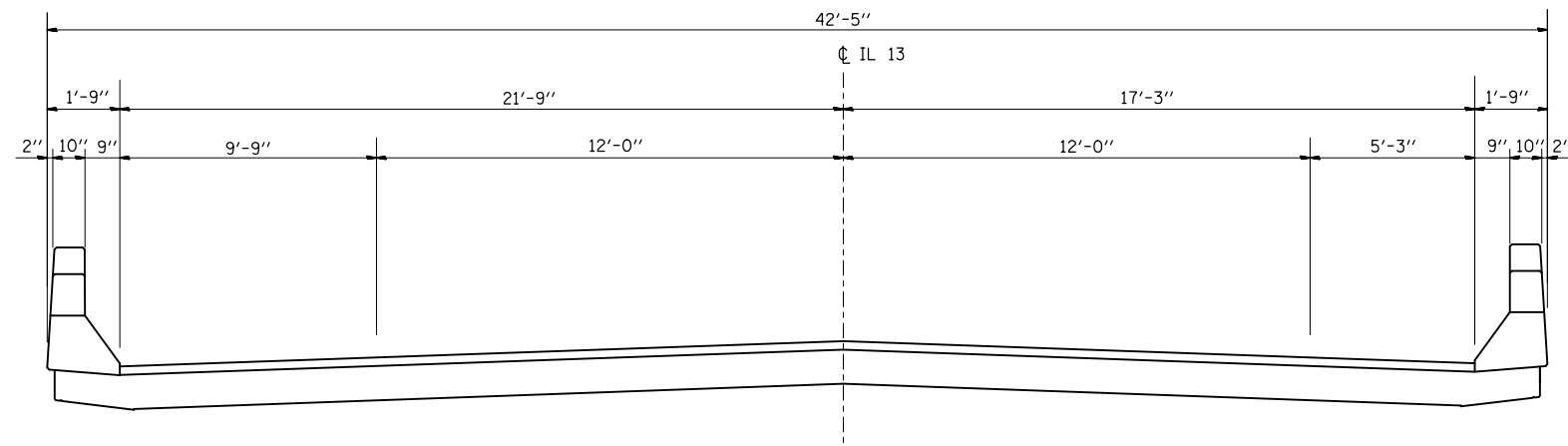


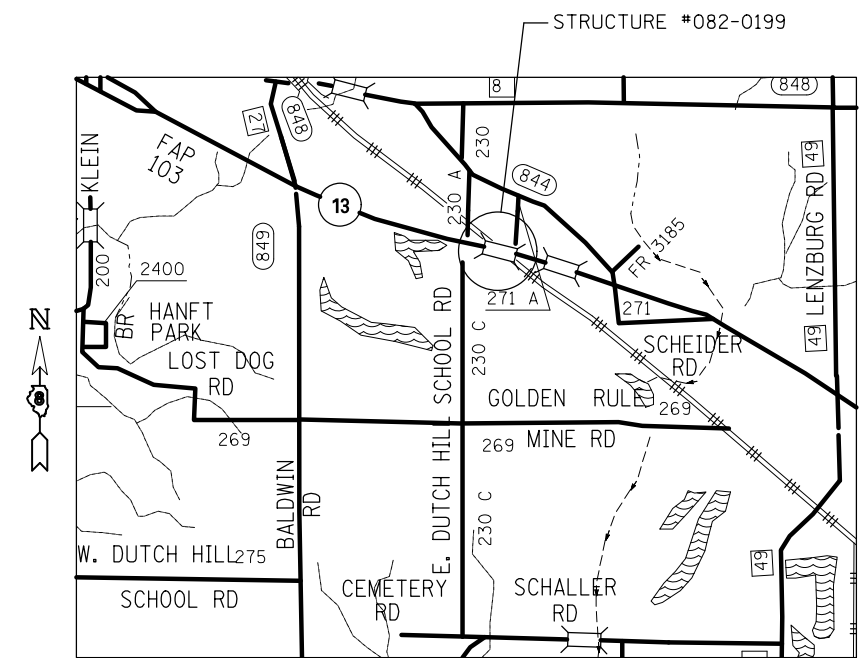
PLAN VIEW

TOTAL BILL OF MATERIALS

ITEM	UNIT	TOTAL
CONCRETE SEALER	SQ FT	24,334



TYPICAL SECTION



LOCATION MAP

FILE NAME =	USER NAME = Burnsideem	DESIGNED -	REVISED -
et:\pw\work\p1dot\burnsideem\d0288219\d076f48-sht-plan1.dgn		DRAWN -	REVISED -
	PLOT SCALE = 100.0000' / 1in.	CHECKED -	REVISED -
	PLOT DATE = 3/23/2012	DATE -	REVISED -

STATE OF ILLINOIS
DEPARTMENT OF TRANSPORTATION

BRIDGE #082-0199 CARRYING IL 13 OVER ICG RAILROAD
PLAN AND SECTION VIEWS

SCALE: SHEET NO. OF SHEETS STA. TO STA.

F.A. RTE.	SECTION	COUNTY	TOTAL SHEETS	SHEET NO.
VAR	VARIOUS	ST. CLAIR	76	43
CONTRACT NO. 76F48				
FED. ROAD DIST. NO. ILLINOIS FED. AID PROJECT				