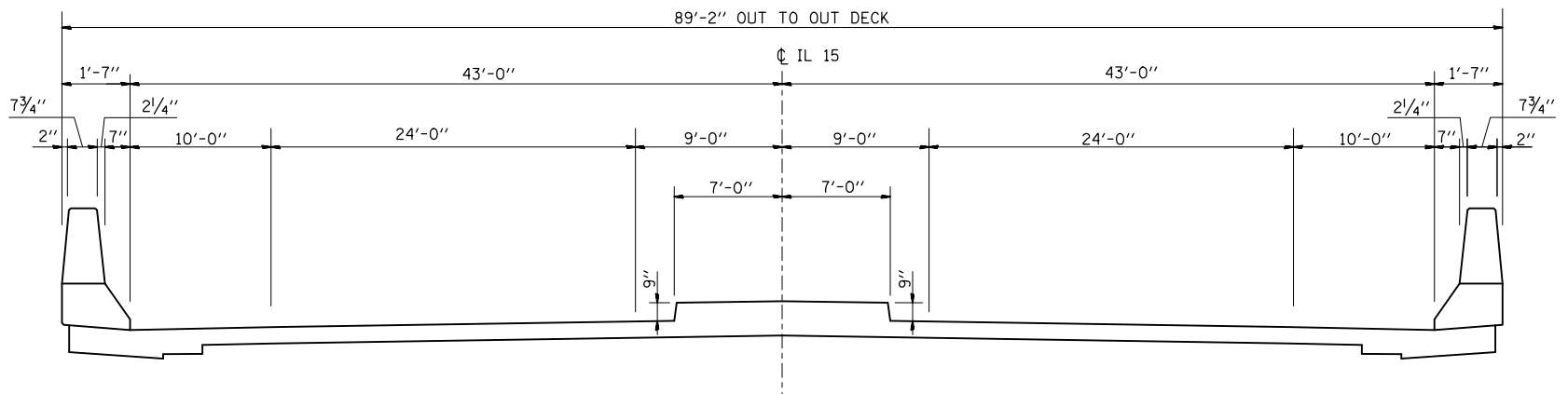
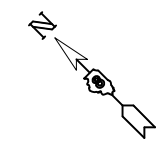


PLAN VIEW

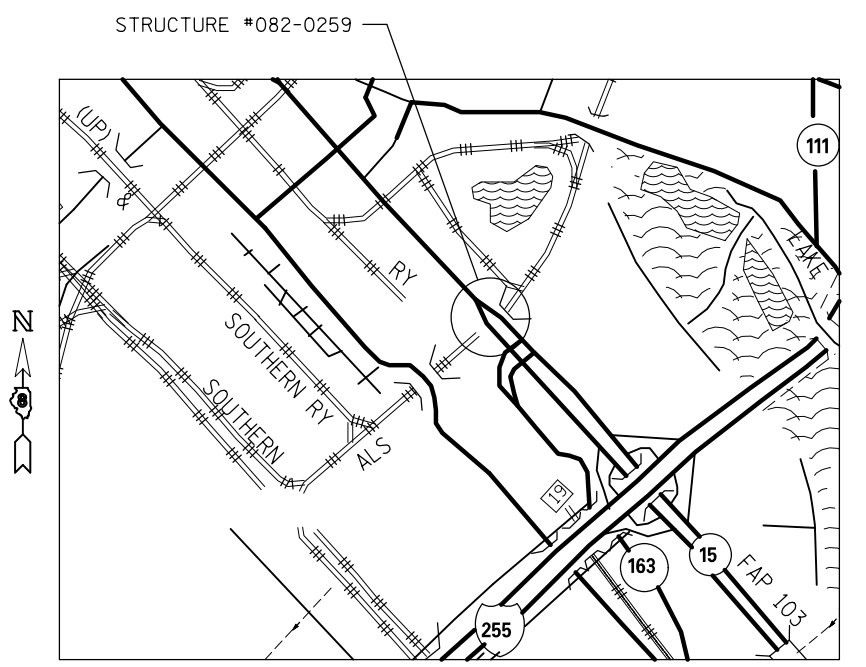


TYPICAL SECTION



TOTAL BILL OF MATERIALS

ITEM	UNIT	TOTAL
CONCRETE SEALER	SQ FT	21,895



LOCATION MAP

FILE NAME =	USER NAME = Burnsdeem	DESIGNED -	REVISED -	<b>STATE OF ILLINOIS DEPARTMENT OF TRANSPORTATION</b>	<b>BRIDGE #082-0259 CARRYING IL 15 (MISSOURI AVE) OVER ASRR PLAN AND SECTION VIEWS</b>	F.A. RTE.	SECTION	COUNTY	TOTAL SHEETS	SHEET NO.	
et:\pw\work\p\dot\burnsdeem\d0288219\d876f48-sht-plan1.dgn	PLOT SCALE = 100.0000' / 1in.	DRAWN -	REVISED -			VAR	VARIOUS	ST. CLAIR	76	47	
	PLOT DATE = 3/23/2012	CHECKED -	REVISED -			CONTRACT NO. 76F48					
		DATE -	REVISED -			SCALE:	SHEET NO.	OF SHEETS	STA.	TO STA.	FED. ROAD DIST. NO.