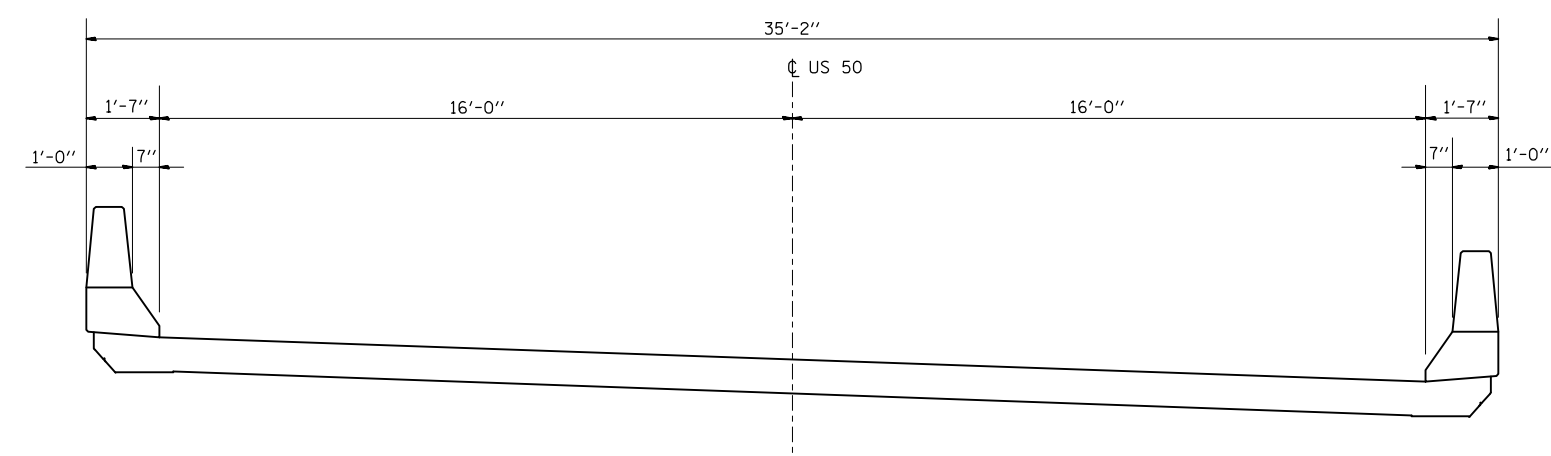


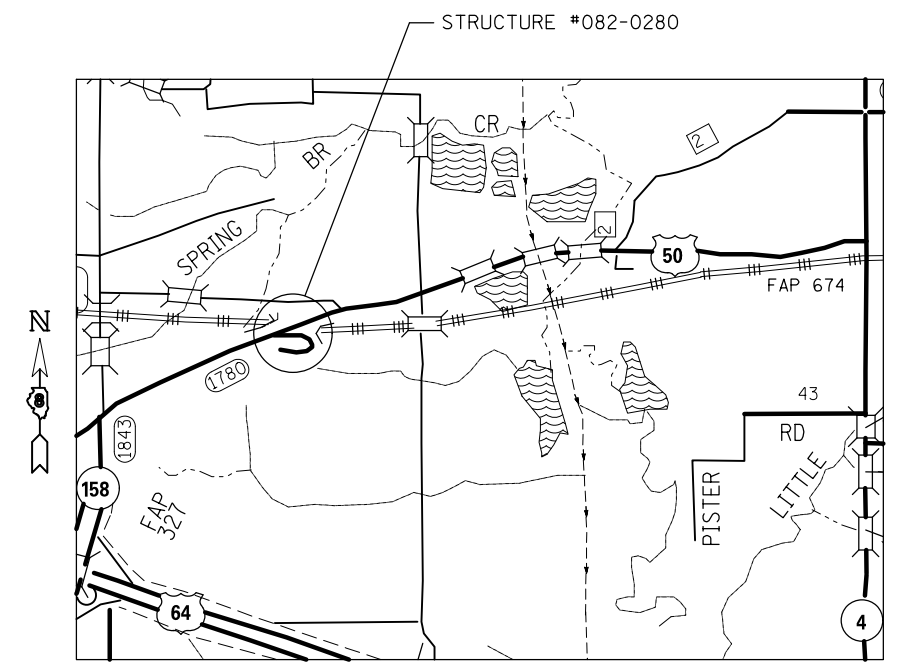
PLAN VIEW

TOTAL BILL OF MATERIALS

ITEM	UNIT	TOTAL
CONCRETE SEALER	SQ FT	17,888



TYPICAL SECTION



LOCATION MAP

FILE NAME =	USER NAME = burnsideem	DESIGNED -	REVISED -
et:\pw\work\p\dot\burnsideem\d0288219\d876f48-sh-t-plan1.dgn		DRAWN -	REVISED -
	PLOT SCALE = 100.0000' / 1in.	CHECKED -	REVISED -
	PLOT DATE = 3/23/2012	DATE -	REVISED -

STATE OF ILLINOIS
DEPARTMENT OF TRANSPORTATION

BRIDGE #082-0280 CARRYING US 50 OVER B&O RAILROAD
PLAN AND SECTION VIEWS

SCALE:	SHEET NO.	OF	SHEETS	STA.	TO	STA.
--------	-----------	----	--------	------	----	------

F.A. RTE.	SECTION	COUNTY	TOTAL SHEETS	SHEET NO.
VAR	VARIOUS	ST. CLAIR	76	57
FED. ROAD DIST. NO.			ILLINOIS FED. AID PROJECT	
CONTRACT NO. 76F48				