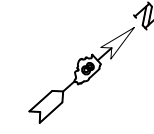
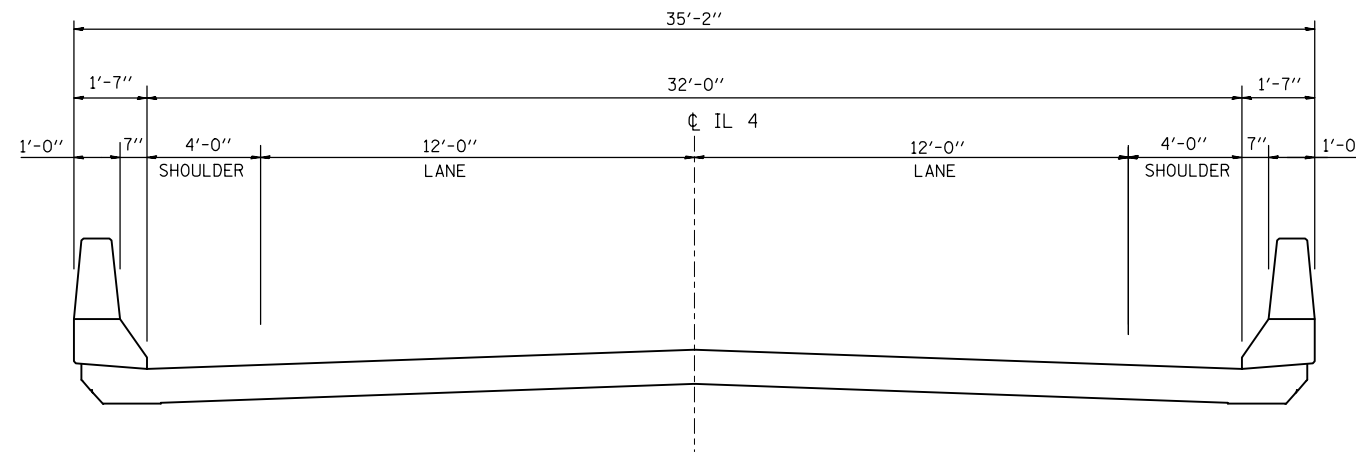


PLAN VIEW

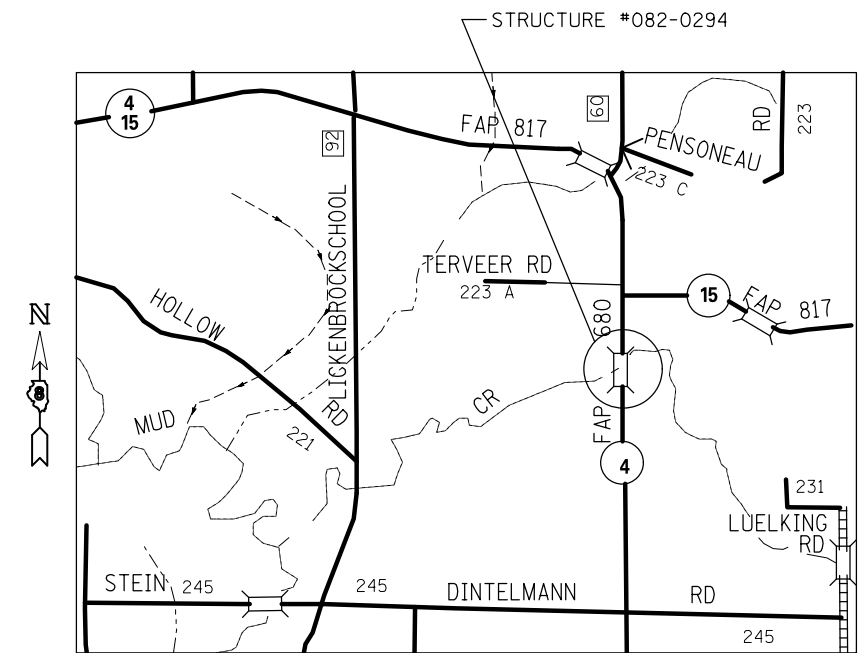


TOTAL BILL OF MATERIALS

ITEM	UNIT	TOTAL
CONCRETE SEALER	SQ FT	7,524



TYPICAL SECTION



LOCATION MAP

FILE NAME =	USER NAME = Burnsdeem	DESIGNED -	REVISED -
et:\pw\work\p\dot\burnsdeem\d0288219\d876f48-sht-plan1.dgn		DRAWN -	REVISED -
	PLOT SCALE = 100.0000' / 1in.	CHECKED -	REVISED -
	PLOT DATE = 3/23/2012	DATE -	REVISED -

STATE OF ILLINOIS  
DEPARTMENT OF TRANSPORTATION

BRIDGE #082-0294 CARRYING IL 4 OVER LITTLE MUD CREEK  
PLAN AND SECTION VIEWS

SCALE: SHEET NO. OF SHEETS STA. TO STA.

F.A. RTE.	SECTION	COUNTY	TOTAL SHEETS	SHEET NO.
VAR	VARIOUS	ST. CLAIR	76	65
CONTRACT NO. 76F48				
FED. ROAD DIST. NO. ILLINOIS FED. AID PROJECT				