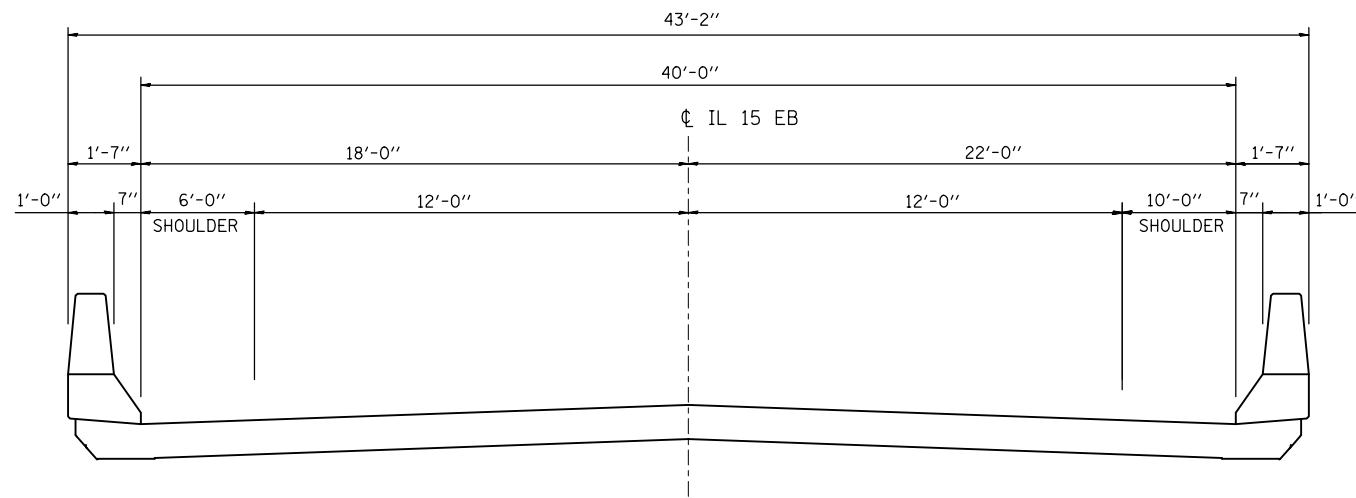


PLAN VIEW

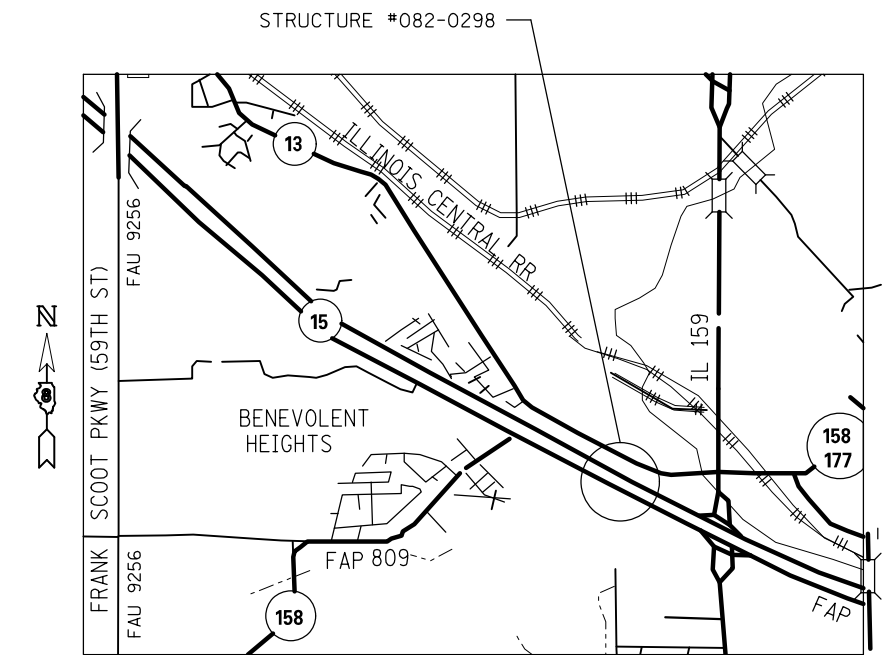


TYPICAL SECTION



TOTAL BILL OF MATERIALS

ITEM	UNIT	TOTAL
CONCRETE SEALER	SQ FT	9,349



LOCATION MAP

FILE NAME =	USER NAME = Burnsdeem	DESIGNED -	REVISED -
et:\pw\work\p\dot\burnsdeem\d0288219\d876f48-sht-plan1.dgn		DRAWN -	REVISED -
	PLOT SCALE = 100.0000' / 1in.	CHECKED -	REVISED -
	PLOT DATE = 3/23/2012	DATE -	REVISED -

STATE OF ILLINOIS
DEPARTMENT OF TRANSPORTATION

BRIDGE #082-0298 CARRYING IL 15 EB OVER STATE STREET (FAU 9281)
PLAN AND SECTION VIEWS

SCALE:	SHEET NO.	OF	SHEETS	STA.	TO	STA.
--------	-----------	----	--------	------	----	------

F.A. RTE.	SECTION	COUNTY	TOTAL SHEETS	SHEET NO.
VAR	VARIOUS	ST. CLAIR	76	69
CONTRACT NO. 76F48				
FED. ROAD DIST. NO. ILLINOIS FED. AID PROJECT				