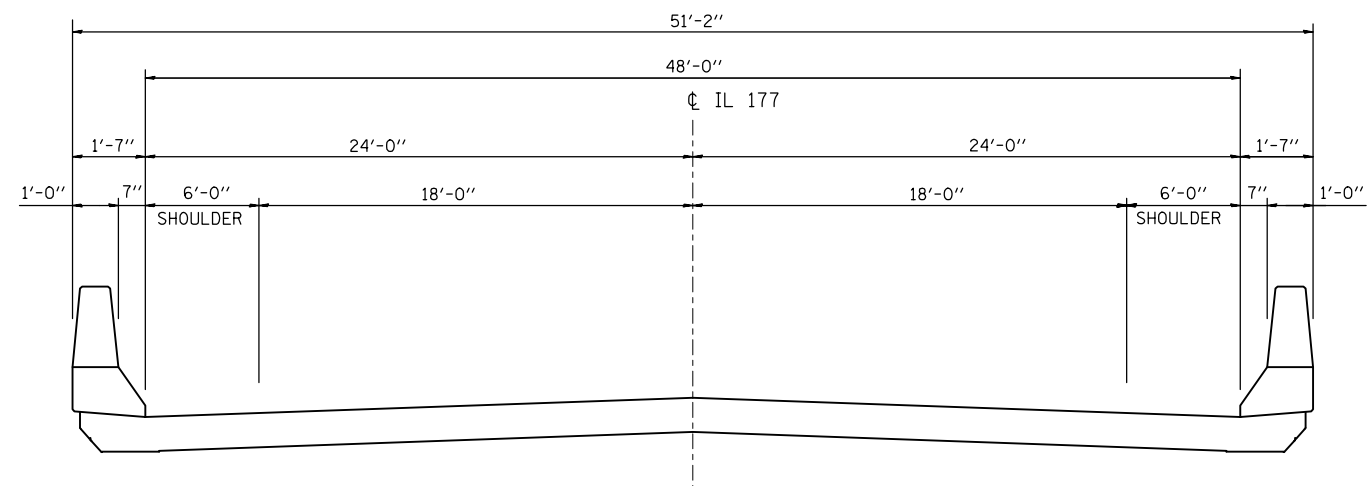


PLAN VIEW

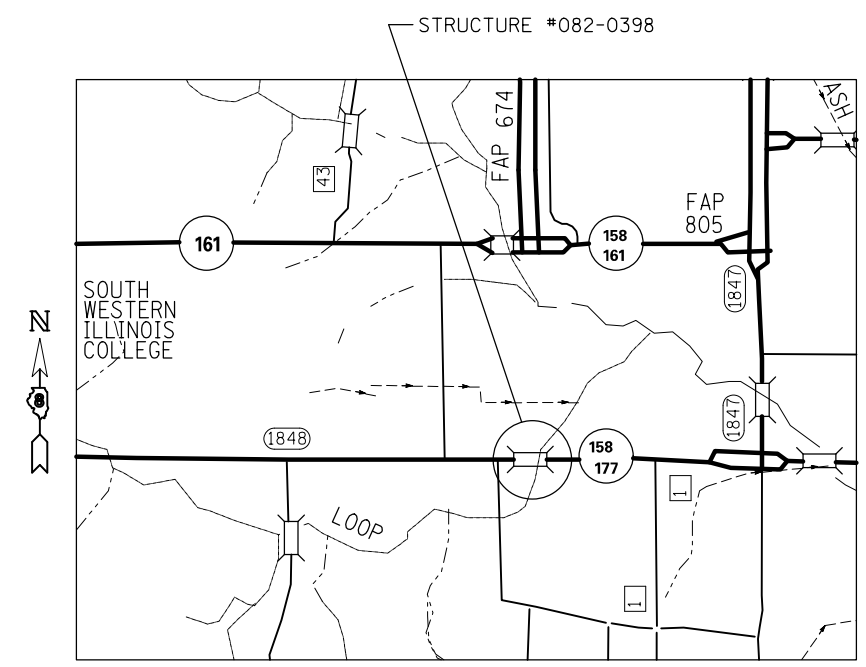


TYPICAL SECTION



TOTAL BILL OF MATERIALS

ITEM	UNIT	TOTAL
CONCRETE SEALER	SQ FT	10,518



LOCATION MAP