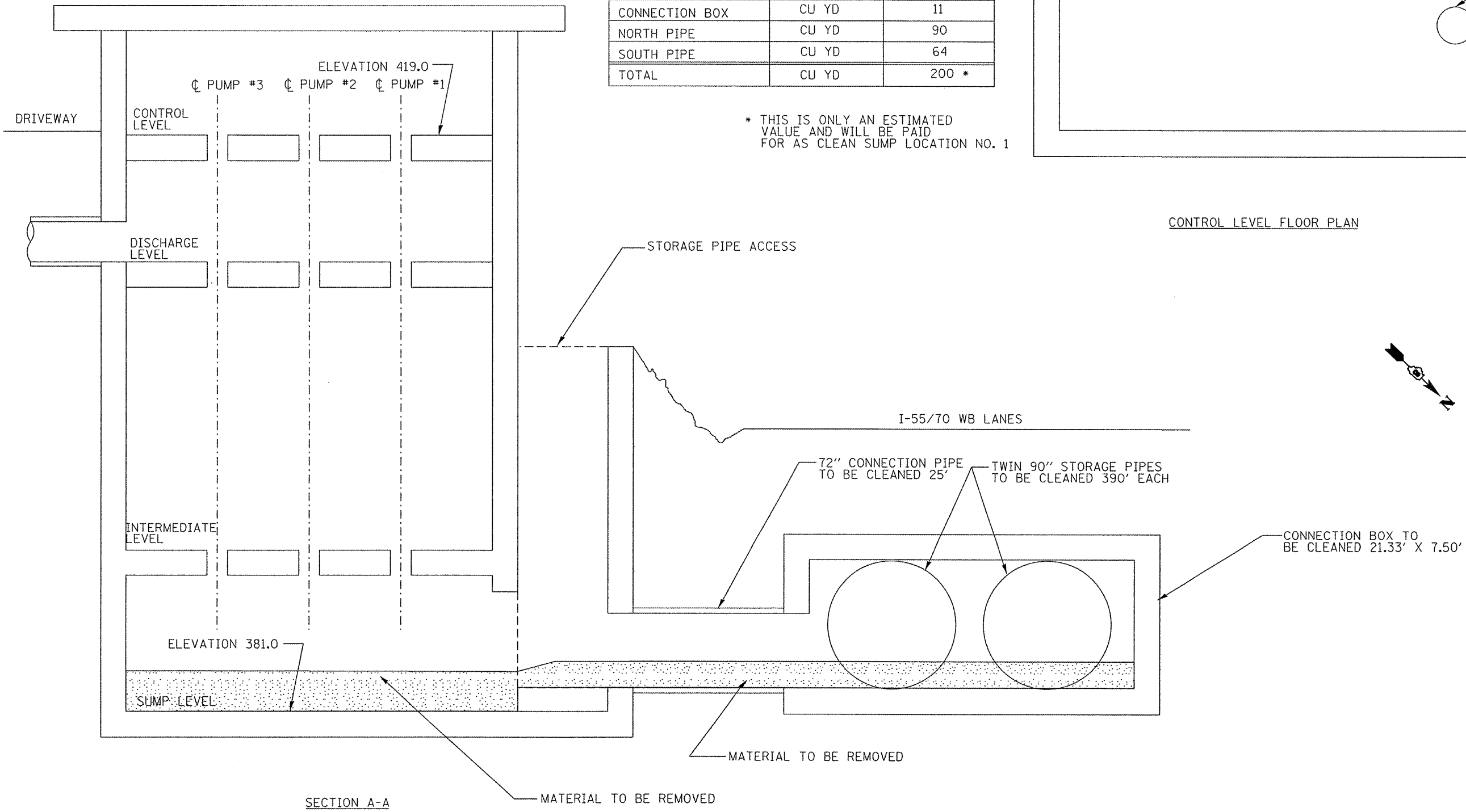
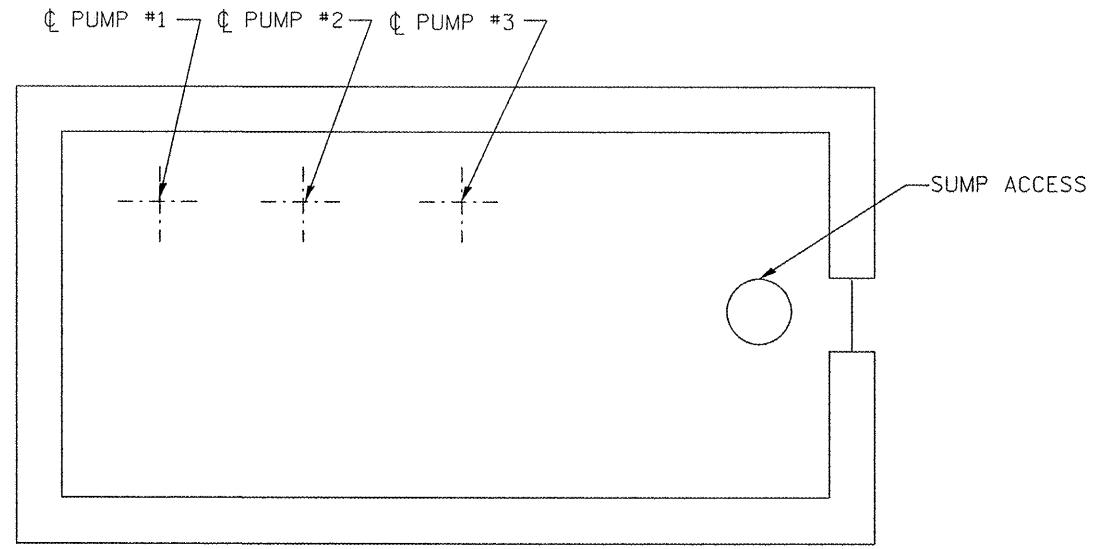


ESTIMATED VOLUME TO BE REMOVED		
LOCATION	UNIT	QUANTITY
SUMP AREA	CU YD	23
TRASH PIT	CU YD	6
CONNECTION PIPE	CU YD	6
CONNECTION BOX	CU YD	11
NORTH PIPE	CU YD	90
SOUTH PIPE	CU YD	64
TOTAL	CU YD	200 *

* THIS IS ONLY AN ESTIMATED VALUE AND WILL BE PAID FOR AS CLEAN SUMP LOCATION NO. 1



* ST. CLAIR/MADISON

FILE NAME =	USER NAME = r1schardsonje	DESIGNED -	REVISED -
en:\pwwork\pwwork\rschardsonje\d8293424	d8293424	DRAWN -	REVISED -
		CHECKED -	REVISED -
		DATE -	REVISED -

STATE OF ILLINOIS
DEPARTMENT OF TRANSPORTATION

SCALE:	SHEET NO. OF SHEETS	STA. TO STA.
--------	---------------------	--------------

F.A. RTE.	SECTION	COUNTY	TOTAL SHEETS	SHEET NO.
VAR	DISTRICT 8 2013-1	*	9	4
CONTRACT NO. 76F68			ILLINOIS FED. AID PROJECT	