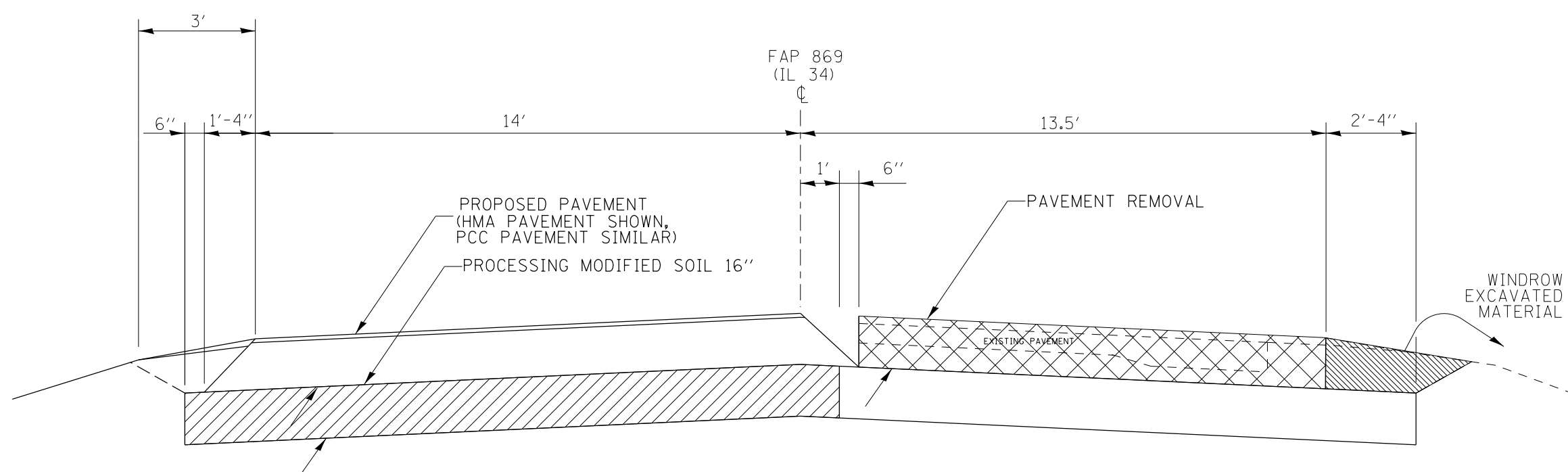


STAGE 1  
TO BE USED:  
STA 1483+00 TO STA 1581+78.51



STAGE 2  
TO BE USED:  
STA 1483+00 TO STA 1581+78.51

FILE NAME =	USER NAME = \$USER\$	DESIGNED -	REVISED -	<b>STATE OF ILLINOIS DEPARTMENT OF TRANSPORTATION</b>	<b>REMOVAL STAGING</b>				F.A.P. RTE.	SECTION	COUNTY	TOTAL SHEETS	SHEET NO.
et:\pwork\pwork\kellykd\0290960\78290-sht-plan.dgn		DRAWN -	REVISED -		869	105R-1	SALINE	26	11				
	PLOT SCALE = 100.0000' / 1"	CHECKED -	REVISED -		SCALE:      SHEET    OF    SHEETS    STA.            TO STA.				CONTRACT NO. 78290				
	PLOT DATE = 3/23/2012	DATE -	REVISED -		ILLINOIS FED. AID PROJECT								