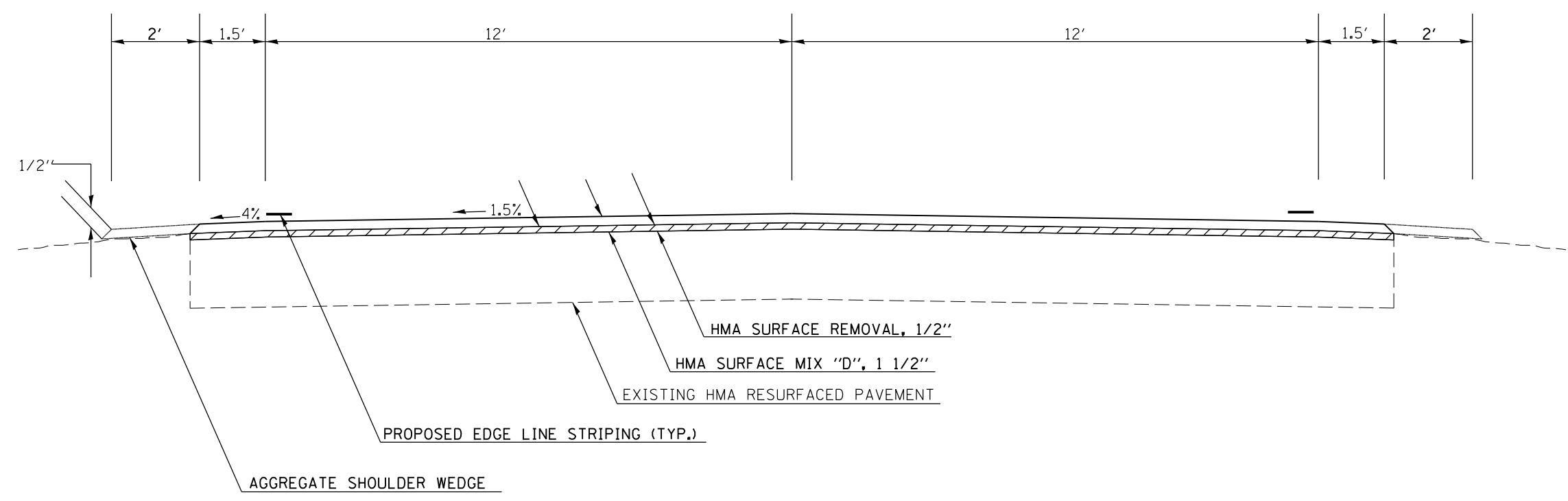


LOCATION #2
 US 51
 JACKSON CO.



TO BE USED:
 STA. 511+50 TO STA. 565+61

FILE NAME =	USER NAME = \$USER\$	DESIGNED -	REVISED -	STATE OF ILLINOIS DEPARTMENT OF TRANSPORTATION	TYPICAL SECTION			F.A.P. RTE.	SECTION	COUNTY	TOTAL SHEETS	SHEET NO.
et:\pwork\pwork\kellykd\0294597\78302-shb-tp-sch-tes.dgn		DRAWN -	REVISED -					322	.	JACKSON	16	8
	PLOT SCALE = 100.0000' / 1in.	CHECKED -	REVISED -		SCALE: SHEET OF SHEETS STA. TO STA.			CONTRACT NO. 78302				
	PLOT DATE = 3/23/2012	DATE -	REVISED -		ILLINOIS FED. AID PROJECT							