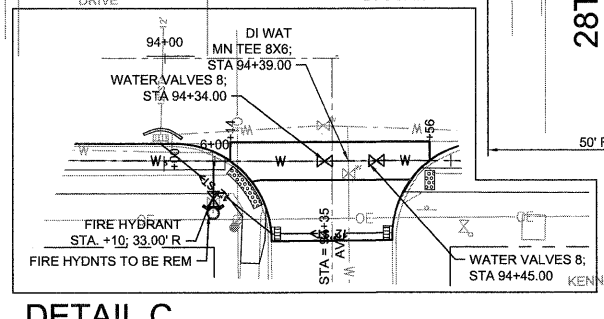
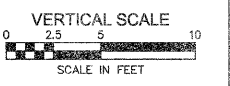
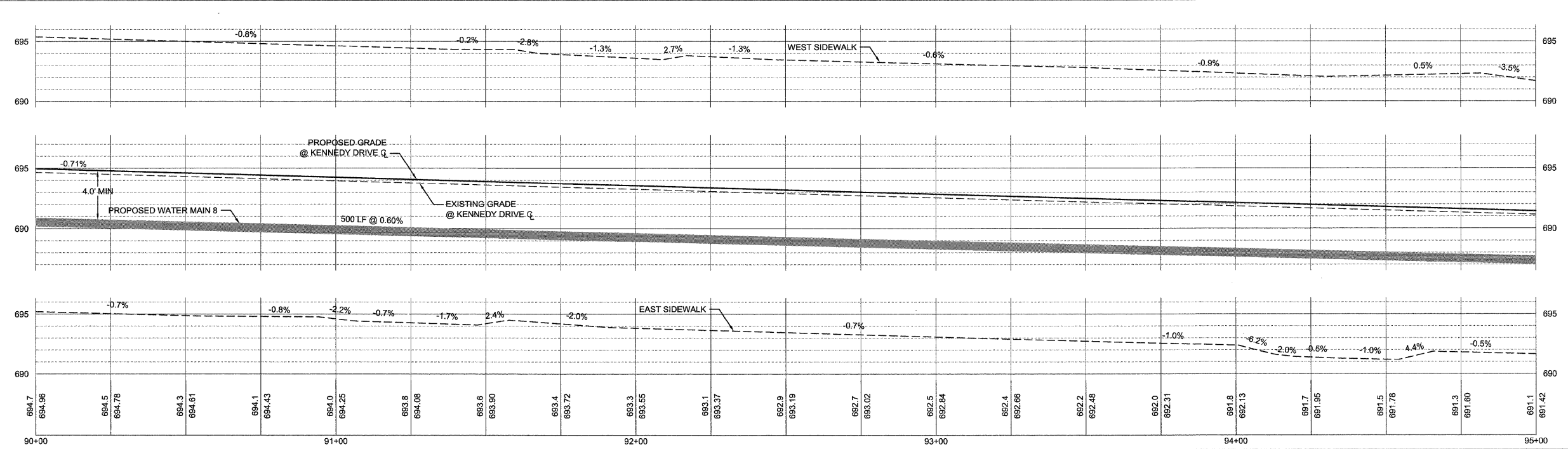


DETAIL B



DETAIL C



FILE NAME = P:\Projects\MD\3113718\DWG

USER NAME =	DESIGNED - RAM	REVISED -
PLOT SCALE =	DRAWN - LJJ	REVISED -
PLOT DATE =	CHECKED - PRL	REVISED -
	DATE - 13APR2012	REVISED -

STATE OF ILLINOIS  
DEPARTMENT OF TRANSPORTATION

PLAN AND PROFILE  
SCALE: SHEET 10 OF 18 SHEETS STA. 90+00 TO STA. 95+00

F.A.U. RTE. 5849	SECTION II-0015I-00-RS	COUNTY ROCK ISLAND	TOTAL SHEETS 75	SHEET NO. 22
CONTRACT NO. 85558				
ILLINOIS FED. AID PROJECT				