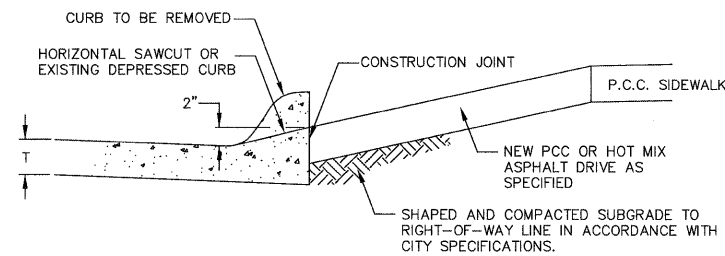


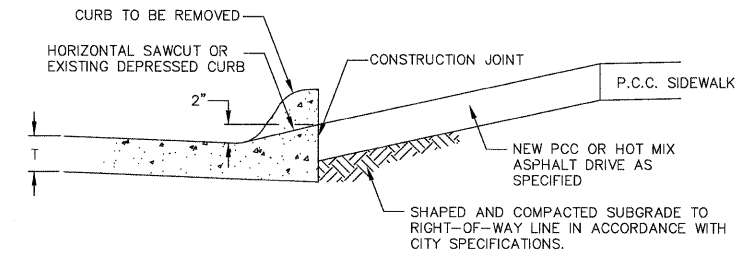
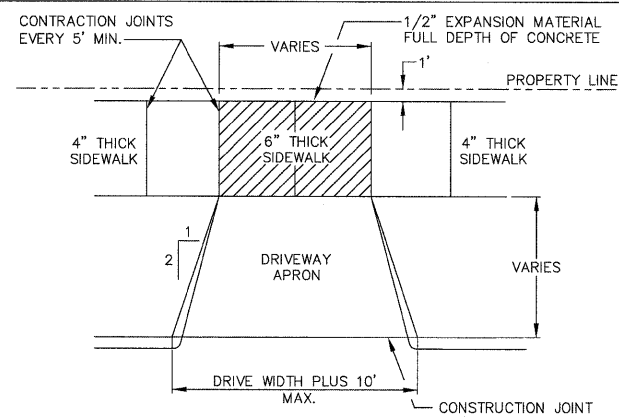
**RADIUS OPTION**



**NOTES:**

- 1.) DRIVEWAY APRON THICKNESS REQUIREMENT IS 6" PORTLAND CEMENT CONCRETE (W/ REINF. FABRIC) ON COMPACTED EARTHEN BASE OR 4" HOT MIX ASPHALT ON 6" COMPACTED CRUSHED STONE TO PROPERTY LINE.
- 2.) CONCRETE FOR SIDEWALK AND STREET PAVEMENT TO MEET CITY SPECIFICATION.
- 3.) SEE "DRIVEWAY APRON-RESIDENTIAL/COMMERCIAL TYPE A" FOR STRAIGHT-TAPER OPTION.

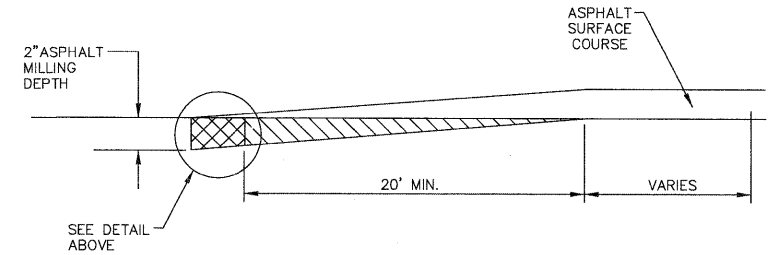
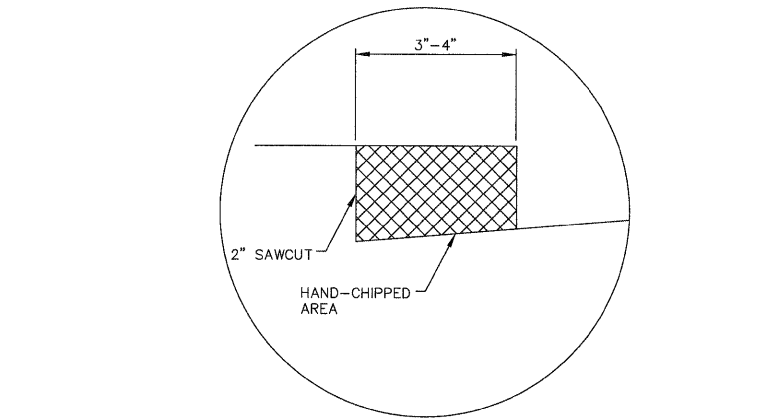
**1 DRIVEWAY APRON-COMMERCIAL TYPE B**  
NTS



**NOTES:**

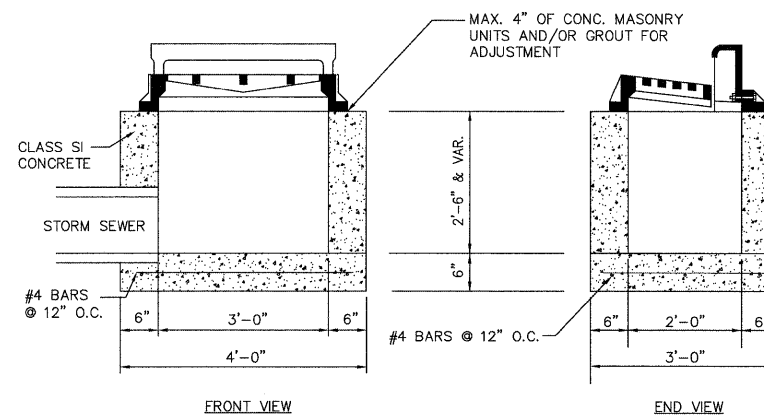
- 1.) DRIVEWAY APRON THICKNESS REQUIREMENT IS 6" PORTLAND CEMENT CONCRETE (W/ REINF. FABRIC) ON COMPACTED EARTHEN BASE OR 4" HOT MIX ASPHALT ON 6" COMPACTED CRUSHED STONE TO PROPERTY LINE.
- 2.) MAXIMUM RESIDENTIAL DRIVE WIDTH AT CURB IS 35'.
- 3.) MAXIMUM COMMERCIAL DRIVE WIDTH AT CURB IS 45'.

**2 DRIVEWAY APRON-RESIDENTIAL/COMMERCIAL TYPE A**  
NTS



**CROSS-SECTION TRANSVERSE TO STREET**

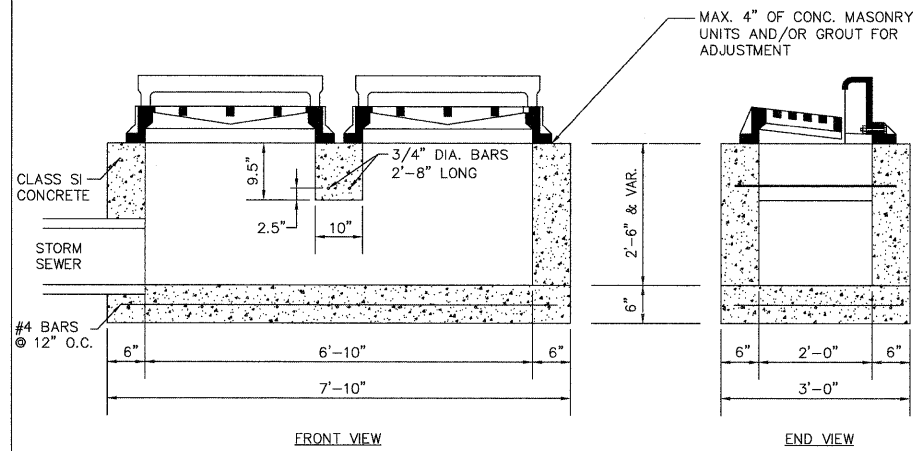
**3 BUTT JOINT**  
NTS



**NOTES:**

- 1.) INLET BOXES ARE TO BE USED WITH NEENAH R-3246 OR APPROVED EQUAL, INLET FRAME, CURB BOX, & TYPE C GRATE OPENINGS.
- 2.) INLET BOXES MAY BE PRECAST OR CAST IN PLACE.
- 3.) INVERTED CROWN ALLEY INLETS TO USE NEENAH TYPE R-3382 FRAME & GRATE OR APPROVED EQUAL.

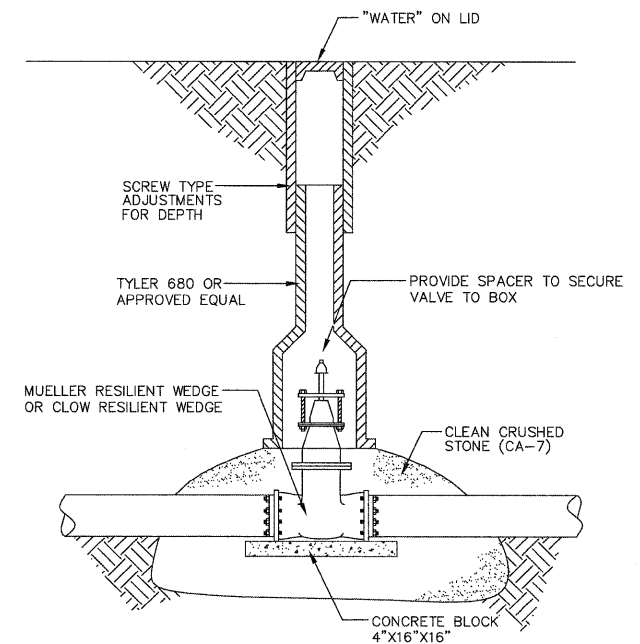
**4 STREET INLET-SINGLE**  
NTS



**NOTES:**

- 1.) INLET BOXES ARE TO BE USED WITH NEENAH R-3246 OR APPROVED EQUAL, INLET FRAME, CURB BOX, & TYPE C GRATE OPENINGS.
- 2.) INLET BOXES MAY BE PRECAST OR CAST IN PLACE.

**5 STREET INLET-DOUBLE**  
NTS



**6 GATE VALVE AND BOX**  
NTS

FILE NAME =  
P:\Projects\MD\3113710\DWG

USER NAME =  
DESIGNED — RAM  
DRAWN — LJJ  
CHECKED — PRL  
DATE = 13APR2012

REVISED —  
REVISED —  
REVISED —  
REVISED —

STATE OF ILLINOIS  
DEPARTMENT OF TRANSPORTATION

DETAILS

SCALE: SHEET 1 OF 2 SHEETS STA. TO STA.

F.A.U. RTE. 5849	SECTION II-00151-00-RS	COUNTY ROCK ISLAND	TOTAL SHEETS 75	SHEET NO. 74
				CONTRACT NO. 85558
ILLINOIS FED. AID PROJECT				