

SUMMARY OF QUANTITIES
FUNDING CODE: 0011

CODE NUMBER	ITEM	UNIT	TOTAL QUANTITY
20400800	FURNISHED EXCAVATION	CU YD	260
20700220	POROUS GRANULAR EMBANKMENT	CU YD	52
28000250	TEMPORARY EROSION CONTROL SEEDING	POUND	200
28000305	TEMPORARY DITCH CHECKS	FOOT	80
28000400	PERIMETER EROSION BARRIER	FOOT	766
28100500	BROKEN CONCRETE RIPRAP	SQ YD	160
28200200	FILTER FABRIC	SQ YD	160
35101400	AGGREGATE BASE COURSE, TYPE B	TON	400
40600100	BITUMINOUS MATERIALS (PRIME COAT)	GAL	478
40603310	HOT-MIX ASPHALT SURFACE COURSE MIX "C" N50	TON	282
48101200	AGGREGATE SHOULDERS, TYPE B	TON	42
50100100	REMOVAL OF EXISTING STRUCTURES	EACH	1
50300225	CONCRETE STRUCTURES	CU YD	30
50300260	BRIDGE DECK GROOVING	SQ YD	131.7
50300300	PROTECTIVE COAT	SQ YD	155
50400305	PRECAST PRESTRESSED CONCRETE DECK BEAMS (17" DEPTH)	SQ FT	1185
50800205	REINFORCEMENT BARS, EPOXY COATED	POUND	5888
50901050	STEEL RAILING, TYPE SM	FOOT	84
51200957	FURNISHING METAL SHELL PILES 12" X 0.250"	FOOT	308
51202305	DRIVING PILES	FOOT	308
51203200	TEST PILE METAL SHELLS	EACH	2
51500100	NAME PLATES	EACH	1
63000001	STEEL PLATE BEAM GUARDRAIL, TYPE A, 6 FOOT POSTS	FOOT	50
63100075	TRAFFIC BARRIER TERMINAL, TYPE 5A	EACH	4
63100167	TRAFFIC BARRIER TERMINAL, TYPE 1, SPECIAL (TANGENT)	EACH	4
63200310	GUARD RAIL REMOVAL	FOOT	252
67100100	MOBILIZATION	L SUM	1
78200200	BIDIRECTIONAL PRISMATIC BARRIER REFLECTORS	EACH	16
78201000	TERMINAL MARKER - DIRECT APPLIED	EACH	4
X2020410	EARTH EXCAVATION (SPECIAL)	CU YD	426
X2501000	SEEDING, CLASS 2 (SPECIAL)	ACRE	0.2
X5030305	CONCRETE WEARING SURFACE, 5"	SQ YD	131.7
X7010216	TRAFFIC CONTROL & PROTECTION, (SPECIAL)	L SUM	1

QUANTITY NOTES:

- Δ SPECIALTY ITEMS
- SEE SPECIAL PROVISIONS
- PERIMETER EROSION BARRIER IS AN ESTIMATED QUANTITY. LOCATIONS ARE TO BE DETERMINED IN FIELD BY THE ENGINEER

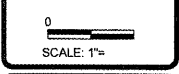
SCHEDULE OF QUANTITIES

STEEL PLATE BEAM GUARD RAIL, TYPE A			
LOCATION			
RT. STA. 9+40.75 TO RT. STA. 9+65.75			25
LT. STA. 10+34.25 TO LT. STA. 10+59.25			25
TOTAL			50
TRAFFIC BARRIER TERMINAL, TYPE 5A			
LOCATION		EACH	
RT. STA. 9+65.75 TO RT. STA. 9+79			1
LT. STA. 9+65.75 TO LT. STA. 9+79			1
RT. STA. 10+21 TO RT. STA. 10+34.25			1
LT. STA. 10+21 TO LT. STA. 10+34.25			1
TOTAL			4
TRAFFIC BARRIER TERMINAL, TYPE 1 SPECIAL (TANGENT)			
LOCATION		EACH	
RT. STA. 9+15.75 TO RT. STA. 9+65.75			1
LT. STA. 9+15.75 TO LT. STA. 9+65.75			1
RT. STA. 10+34.25 TO RT. STA. 10+84.25			1
LT. STA. 10+34.25 TO LT. STA. 10+84.25			1
TOTAL			4
AGGREGATE BASE COURSE, TYPE B			
LOCATION		TON	
STA. 8+00 - STA. 9+79.25			200
STA. 10+20.75 - STA. 12+00			200
TOTAL			400
BITUMINOUS MATERIALS (PRIME COAT)			
LOCATION		GAL	
STA. 8+00 - STA. 9+79.25			239
STA. 10+20.75 - STA. 12+00			239
TOTAL			478
HOT-MIX ASPHALT SURFACE COURSE "C" N50			
LOCATION		TON	
STA. 8+00 - STA. 9+79.25			141
STA. 10+20.75 - STA. 12+00			141
TOTAL			282
AGGREGATE SHOULDERS, TYPE B			
LOCATION		TON	
STA. 8+00 - STA. 9+79.25			21
STA. 10+20.75 - STA. 12+00			21
TOTAL			42

MIXTURE USE:	
PG:	PG 64-22
DESIGN AIR VOIDS	3.0 @ N50
MIXTURE COMPOSITION	IL 9.5 OR 12.5
FRICTION AGGREGATE	C
20 YEAR ESAL	0.1
MIX UNIT WEIGHT	112 LBS/SY/IN
2" TOP LIFT, 3" BOTTOM LIFT	

FAS ROUTE NO.	SEC	COUNTY	TOTAL SHEETS	SHEET NO.
178	*	LEE	14	2

ILLINOIS PROJECT BRS-0178(105)
* 11-00317-00-BR
CONTRACT NO. 85560



REVISIONS	DATE

DESIGNED BY	CHKD BY	DRAWN BY	CHECKED BY	SUM. SCHED.	DATE

wendler
GROUND BREAKING SOLUTIONS
engineers - surveyors - scientists
www.wendlers.com ph: 615.288.2261
Illinois Professional Design Firm No. 164-000848

SUMMARY AND SCHEDULE OF QUANTITIES
OF
PAW PAW ROAD BRIDGE
FOR
LEE COUNTY HIGHWAY DEPARTMENT

SHEET TITLE

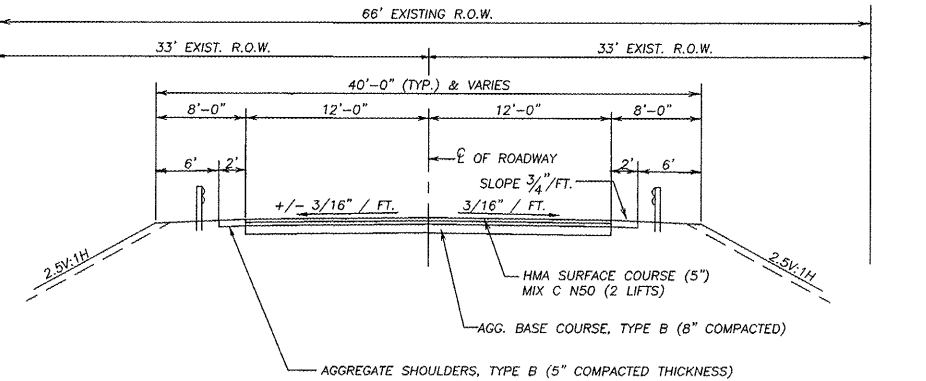
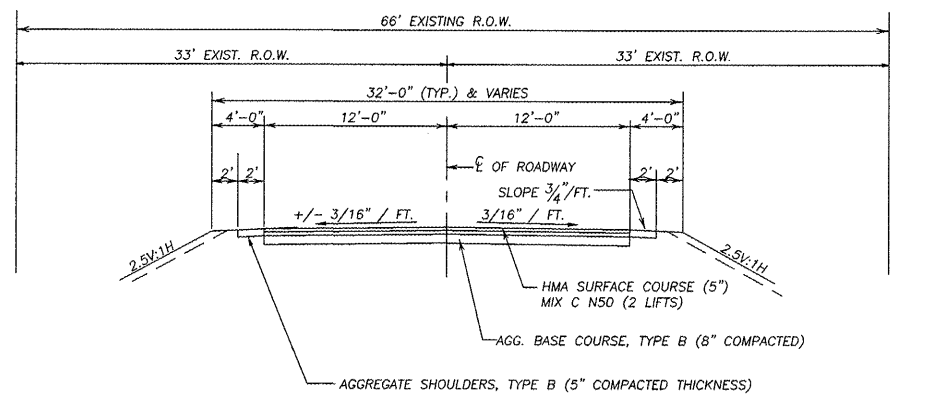
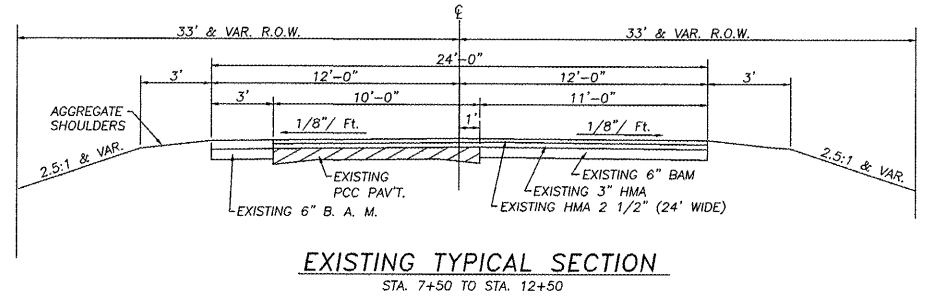
SUMMARY

JOB NUMBER
2110221

DATE
03/29/2012

SHEET NO.

2 of 14



SUMMARY OF QUANTITIES
SECTION 11-00317-00-BR
PAW PAW ROAD
LEE COUNTY