

FAS ROUTE NO.	SEC.	COUNTY	TOTAL SHEETS	SHEET NO.
178	*	LEE	14	8

ILLINOIS PROJECT BR5-0178(105)
 • 11-00317-00-BR
 CONTRACT NO. 85560

SCALE: 1" = 1'-0"

REVISIONS	DATE

DESIGNED BY:	RLR
DRAWN BY:	RLR
CHECKED BY:	RLR
SUPERVISOR:	RLR
BOOK NO.:	

wendler
 GROUND-BREAKING SOLUTIONS
 engineers - surveyors - scientists
 www.wendlers.com ph: 815.288.2261
 Illinois Professional Design Firm No. 184-000846

BEAM DETAILS OF PAW PAW ROAD BRIDGE FOR LEE COUNTY HIGHWAY DEPARTMENT

SHEET TITLE

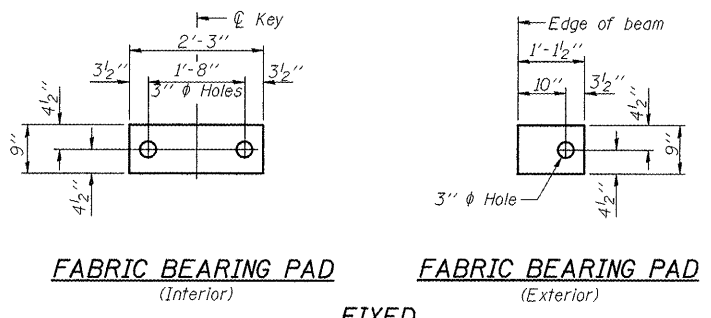
DETAILS

JOB NUMBER
2110221

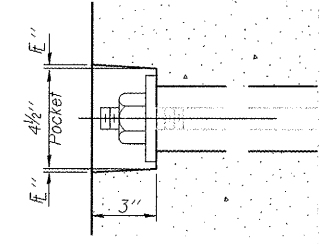
DATE
03/23/2012

SHEET NO.

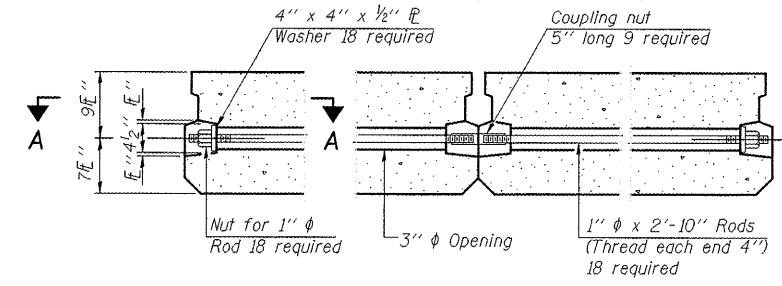
8 of 14



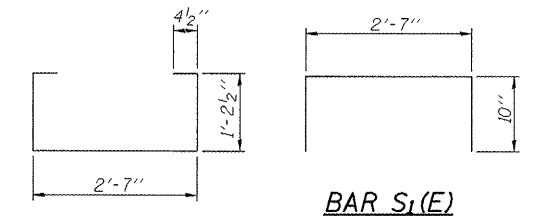
Notes:
 All bearing pads shall be 1" thick.
 Omit holes when using expansion bearings.
 Expansion bearing pad shall be bonded to the substructure.



SECTION A-A

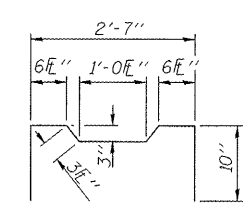


TYPICAL TRANSVERSE TIE ASSEMBLY

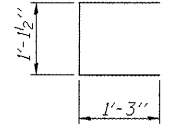


BAR S1(E)

BAR S(E)



BAR S2(E)



BAR U1(E)

BAR U(E)

BAR A1(E)

BAR A2(E)

BAR A3(E)

BAR A4(E)

BAR A5(E)

BAR A6(E)

BAR A7(E)

BAR A8(E)

BAR A9(E)

BAR A10(E)

BAR A11(E)

BAR A12(E)

BAR A13(E)

BAR A14(E)

BAR A15(E)

BAR A16(E)

BAR A17(E)

BAR A18(E)

BAR A19(E)

BAR A20(E)

BAR A21(E)

BAR A22(E)

BAR A23(E)

BAR A24(E)

BAR A25(E)

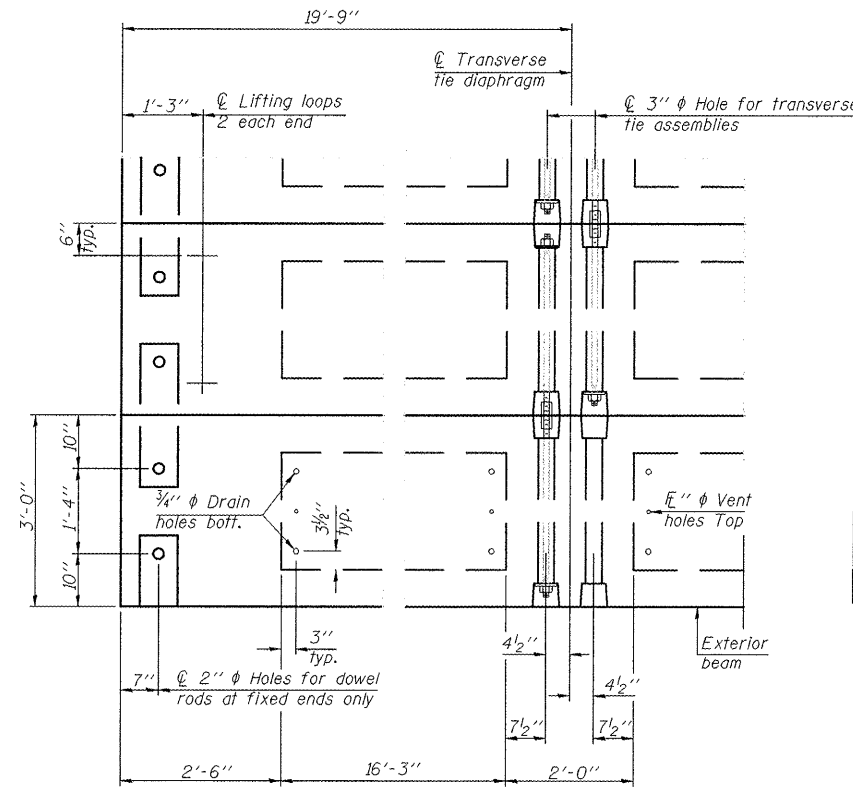
BAR A26(E)

BAR A27(E)

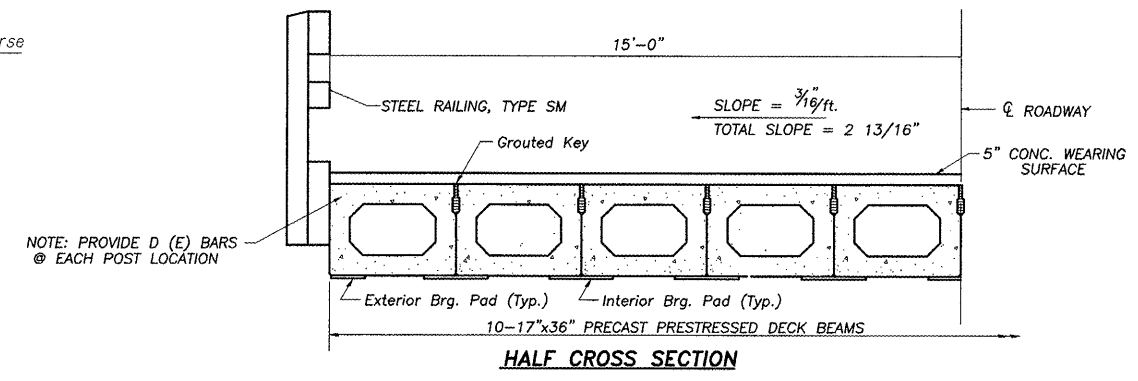
BAR A28(E)

BAR A29(E)

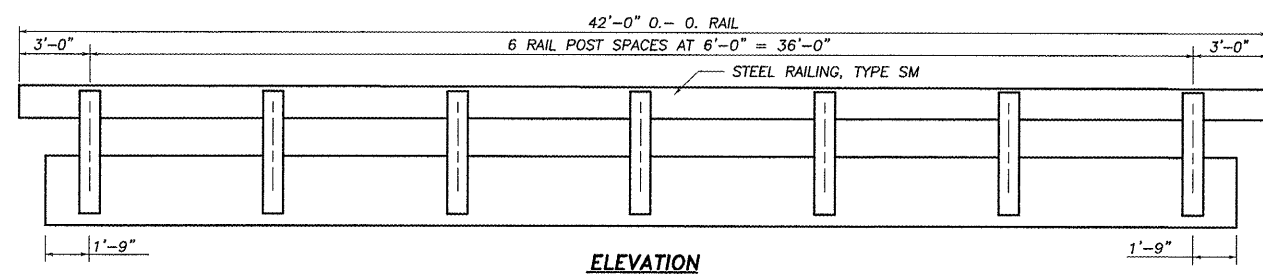
BAR A30(E)



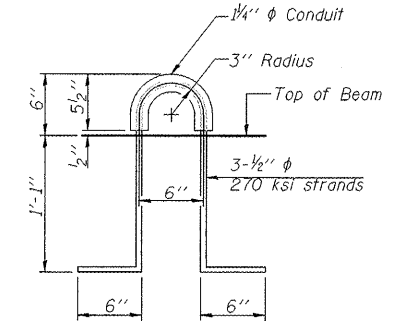
PLAN VIEW



HALF CROSS SECTION



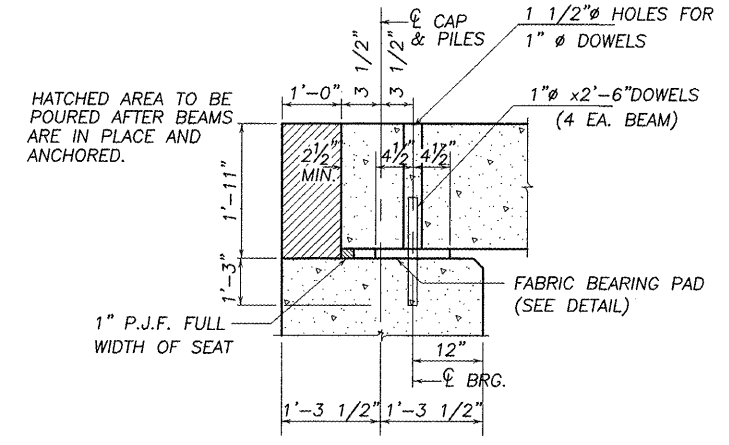
ELEVATION



LIFTING LOOP DETAIL

BILL OF MATERIAL

Precast Prestressed Conc. Deck Bms. (17" depth)	Sq. Ft.	1185
---	---------	------



SECTION THRU ABUTMENTS AT RT. L'S

S.N. 052-3513
 17" X 36" PPC DECK BEAM
 PPC DECK BEAM DETAILS
 SECTION 11-00317-00-BR
 LEE COUNTY

Note: Connect beams in pairs with the transverse tie configuration shown.

NOTES

- Prestressing steel shall be uncoated high strength, low relaxation 7-wire strand, Grade 270. The nominal diameter shall be 1/2" and the nominal cross-sectional area shall be 0.153 sq. in.
- The 1" rods in the transverse tie assembly shall be tightened to a snug fit and the threads set. Pockets on exterior faces of bridge shall be filled with grout after transverse tie assembly is in place.
- Reinforcement bars shall conform to ASTM A 706, Grade 60. (See Special Provisions).
- Two 1/8" fabric adjusting shims of the dimensions of the exterior bearing pad shall be provided for each bearing pad location.
- A minimum 2 1/2" lifting pin shall be used to engage the lifting loops during handling.
- Corrosion Inhibitor, per Article 1020.05(b)(12) and 1021.06 of the Standard Specifications, shall be used in the concrete for precast prestressed concrete deck beams.
- Compressive strength of prestressed concrete, f'c, shall be 6000 psi.
- Compressive strength of prestressed concrete at release, f'ci, shall be 5000 psi.

PD-1736-OD 7-1-10